



MIPS32 4K™
Processor Core Family
Software User's Manual

Document Number: MD00016

Revision 01.17

September 25, 2002

MIPS Technologies, Inc.
1225 Charleston Road
Mountain View, CA 94043-1353

Copyright © 1998-2002 MIPS Technologies Inc. All rights reserved.

Copyright © 1998-2002 MIPS Technologies, Inc. All rights reserved.

Unpublished rights (if any) are reserved under the Copyright Laws of the United States of America.

If this document is provided in source format (i.e., in a modifiable form such as in FrameMaker or Microsoft Word format), then its use and distribution is subject to a written agreement with MIPS Technologies, Inc. ("MIPS Technologies"). UNDER NO CIRCUMSTANCES MAY A DOCUMENT PROVIDED IN SOURCE FORMAT BE DISTRIBUTED TO A THIRD PARTY WITHOUT THE EXPRESS WRITTEN CONSENT OF MIPS TECHNOLOGIES.

This document contains information that is proprietary to MIPS Technologies. Any copying, reproducing, modifying, or use of this information (in whole or in part) which is not expressly permitted in writing by MIPS Technologies or a contractually-authorized third party is strictly prohibited. At a minimum, this information is protected under unfair competition and copyright laws. Violations thereof may result in criminal penalties and fines.

MIPS Technologies or any contractually-authorized third party reserves the right to change the information contained in this document to improve function, design or otherwise. MIPS Technologies does not assume any liability arising out of the application or use of this information, or of any error of omission in such information. Any warranties, whether express, statutory, implied or otherwise, including but not limited to the implied warranties of merchantability or fitness for a particular purpose, are excluded. Any license under patent rights or any other intellectual property rights owned by MIPS Technologies or third parties shall be conveyed by MIPS Technologies or any contractually-authorized third party in a separate license agreement between the parties.

The information contained in this document shall not be exported or transferred for the purpose of reexporting in violation of any U.S. or non-U.S. regulation, treaty, Executive Order, law, statute, amendment or supplement thereto.

The information contained in this document constitutes one or more of the following: commercial computer software, commercial computer software documentation or other commercial items. If the user of this information, or any related documentation of any kind, including related technical data or manuals, is an agency, department, or other entity of the United States government ("Government"), the use, duplication, reproduction, release, modification, disclosure, or transfer of this information, or any related documentation of any kind, is restricted in accordance with Federal Acquisition Regulation 12.212 for civilian agencies and Defense Federal Acquisition Regulation Supplement 227.7202 for military agencies. The use of this information by the Government is further restricted in accordance with the terms of the license agreement(s) and/or applicable contract terms and conditions covering this information from MIPS Technologies or any contractually-authorized third party.

MIPS[®], R3000[®], R4000[®], R5000[®] and R10000[®] are among the registered trademarks of MIPS Technologies, Inc. in the United States and certain other countries, and MIPS16[™], MIPS16e[™], MIPS32[™], MIPS64[™], MIPS-3D[™], MIPS-based[™], MIPS I[™], MIPS II[™], MIPS III[™], MIPS IV[™], MIPS V[™], MDMX[™], MIPSsim[™], MIPSsimCA[™], MIPSsimIA[™], QuickMIPS[™], SmartMIPS[™], MIPS Technologies logo, 4K[™], 4Kc[™], 4Km[™], 4Kp[™], 4KE[™], 4KEc[™], 4KEm[™], 4KEp[™], 4KS[™], 4KSc[™], M4K[™], 5K[™], 5Kc[™], 5Kf[™], 20K[™], 20Kc[™], 25Kf[™], R4300[™], ASMACRO[™], ATLAS[™], BusBridge[™], CoreFPGA[™], CoreLV[™], EC[™], JALGO[™], MALTA[™], MGB[™], PDtrace[™], SEAD[™], SEAD-2[™], SOC-it[™], The Pipeline[™], and YAMON[™] are among the trademarks of MIPS Technologies, Inc.

All other trademarks referred to herein are the property of their respective owners.

Template: B1.06, Build with Conditional Tags: 2B JADE MIPS32 PROC

MIPS32 4K[™] Processor Core Family Software User's Manual, Revision 01.17

Copyright © 1998-2002 MIPS Technologies Inc. All rights reserved.

References to Product Names

This manual encompasses the 4Kc™, 4Km™ & 4Kp™ processor cores. The three products are similar in design, hence the majority of information contained in this manual refers to all three cores.

Throughout this manual the terms “the core” or “the processor” refers to the 4Kc™, 4Km™, and 4Kp™ devices. Some information in this manual, specifically in Chapters 2 and 4, is specific to one or more of the cores, but not all three. This information is called out in the text wherever necessary. For example, the section dealing with the TLB is denoted as being 4Kc™ core specific, whereas the section dealing with the BAT is denoted as being 4Km™ and 4Kp™ core specific.

Product Differentiation

The three products contained in this manual are similar in design. The main differences are in memory management and the multiply-divide unit. In general the differences are as follows:

4Kc™ processor: Contains pipelined multiplier and translation lookaside buffer (TLB).

4Km™ processor: Contains pipelined multiplier and block address translator (BAT).

4Kp™ processor: Contains non-pipelined multiplier and block address translator (BAT).

Table of Contents

Chapter 1 Introduction to the MIPS32 4K™ Processor Core Family	1
1.1 Features	2
1.2 Block Diagram	3
1.3 Required Logic Blocks	4
1.3.1 Execution Unit	4
1.3.2 Multiply/Divide Unit (MDU)	5
1.3.3 System Control Coprocessor (CP0)	5
1.3.4 Memory Management Unit (MMU)	5
1.3.5 Cache Controllers	7
1.3.6 Bus Interface Unit (BIU)	7
1.3.7 Power Management	7
1.4 Optional Logic Blocks	8
1.4.1 Instruction Cache	8
1.4.2 Data Cache	8
1.4.3 EJTAG Controller	8
Chapter 2 Pipeline	11
2.1 Pipeline Stages	11
2.1.1 I Stage: Instruction Fetch	13
2.1.2 E Stage: Execution	13
2.1.3 M Stage: Memory Fetch	13
2.1.4 A Stage: Align/Accumulate	13
2.1.5 W Stage: Writeback	14
2.2 Instruction Cache Miss	14
2.3 Data Cache Miss	15
2.4 Multiply/Divide Operations	16
2.5 MDU Pipeline (4Kc and 4Km Cores)	16
2.5.1 32x16 Multiply (4Kc and 4Km Cores)	19
2.5.2 32x32 Multiply (4Kc and 4Km Cores)	19
2.5.3 Divide (4Kc and 4Km Cores)	19
2.6 MDU Pipeline (4Kp Core Only)	21
2.6.1 Multiply (4Kp Core)	21
2.6.2 Multiply Accumulate (4Kp Core)	22
2.6.3 Divide (4Kp Core)	22
2.7 Branch Delay	23
2.8 Data Bypassing	23
2.8.1 Load Delay	24
2.8.2 Move from HI/LO and CP0 Delay	25
2.9 Interlock Handling	25
2.10 Slip Conditions	26
2.11 Instruction Interlocks	27
2.12 Instruction Hazards	28
Chapter 3 Memory Management	31
3.1 Introduction	31
3.2 Modes of Operation	32
3.2.1 Virtual Memory Segments	33
3.2.2 User Mode	35
3.2.3 Kernel Mode	36
3.2.4 Debug Mode	38
3.3 Translation Lookaside Buffer (4Kc Core Only)	40

3.3.1 Joint TLB	40
3.3.2 Instruction TLB	42
3.3.3 Data TLB	43
3.4 Virtual to Physical Address Translation (4Kc Core)	43
3.4.1 Hits, Misses, and Multiple Matches	45
3.4.2 Page Sizes and Replacement Algorithm	46
3.4.3 TLB Instructions	47
3.5 Fixed Mapping MMU (4Km & 4Kp Cores)	47
3.6 System Control Coprocessor	49
Chapter 4 Exceptions	51
4.1 Exception Conditions	51
4.2 Exception Priority	52
4.3 Exception Vector Locations	53
4.4 General Exception Processing	54
4.5 Debug Exception Processing	55
4.6 Exceptions	56
4.6.1 Reset Exception	56
4.6.2 Soft Reset Exception	57
4.6.3 Debug Single Step Exception	58
4.6.4 Debug Interrupt Exception	59
4.6.5 Non-Maskable Interrupt (NMI) Exception	59
4.6.6 Machine Check Exception (4Kc core)	60
4.6.7 Interrupt Exception	60
4.6.8 Debug Instruction Break Exception	60
4.6.9 Watch Exception — Instruction Fetch or Data Access	61
4.6.10 Address Error Exception — Instruction Fetch/Data Access	61
4.6.11 TLB Refill Exception — Instruction Fetch or Data Access (4Kc core)	62
4.6.12 TLB Invalid Exception — Instruction Fetch or Data Access (4Kc core)	63
4.6.13 Bus Error Exception — Instruction Fetch or Data Access	63
4.6.14 Debug Software Breakpoint Exception	64
4.6.15 Execution Exception — System Call	64
4.6.16 Execution Exception — Breakpoint	64
4.6.17 Execution Exception — Reserved Instruction	64
4.6.18 Execution Exception — Coprocessor Unusable	65
4.6.19 Execution Exception — Integer Overflow	65
4.6.20 Execution Exception — Trap	65
4.6.21 Debug Data Break Exception	66
4.6.22 TLB Modified Exception — Data Access (4Kc core)	66
4.7 Exception Handling and Servicing Flowcharts	67
Chapter 5 CP0 Registers	73
5.1 CP0 Register Summary	73
5.2 CP0 Registers	75
5.2.1 <i>Index</i> Register (CP0 Register 0, Select 0)	76
5.2.2 <i>Random</i> Register (CP0 Register 1, Select 0)	77
5.2.3 <i>EntryLo0</i> , <i>EntryLo1</i> (CP0 Registers 2 and 3, Select 0)	78
5.2.4 <i>Context</i> Register (CP0 Register 4, Select 0)	80
5.2.5 <i>PageMask</i> Register (CP0 Register 5, Select 0)	81
5.2.6 <i>Wired</i> Register (CP0 Register 6, Select 0)	82
5.2.7 <i>BadVAddr</i> Register (CP0 Register 8, Select 0)	83
5.2.8 <i>Count</i> Register (CP0 Register 9, Select 0)	84
5.2.9 <i>EntryHi</i> Register (CP0 Register 10, Select 0)	85
5.2.10 <i>Compare</i> Register (CP0 Register 11, Select 0)	86
5.2.11 <i>Status</i> Register (CP0 Register 12, Select 0)	87
5.2.12 <i>Cause</i> Register (CP0 Register 13, Select 0)	91

5.2.13 Exception Program Counter (CP0 Register 14, Select 0)	93
5.2.14 Processor Identification (CP0 Register 15, Select 0)	94
5.2.15 <i>Config</i> Register (CP0 Register 16, Select 0)	95
5.2.16 <i>Config1</i> Register (CP0 Register 16, Select 1)	98
5.2.17 Load Linked Address (CP0 Register 17, Select 0)	99
5.2.18 <i>WatchLo</i> Register (CP0 Register 18)	100
5.2.19 <i>WatchHi</i> Register (CP0 Register 19)	101
5.2.20 <i>Debug</i> Register (CP0 Register 23)	102
5.2.21 Debug Exception Program Counter Register (CP0 Register 24)	105
5.2.22 <i>ErrCtl</i> Register (CP0 Register 26, Select 0)	106
5.2.23 <i>TagLo</i> Register (CP0 Register 28, Select 0)	106
5.2.24 <i>DataLo</i> Register (CP0 Register 28, Select 1)	108
5.2.25 <i>ErrorEPC</i> (CP0 Register 30, Select 0)	109
5.2.26 <i>DeSave</i> Register (CP0 Register 31)	110
Chapter 6 Hardware and Software Initialization	111
6.1 Hardware Initialized Processor State	111
6.1.1 Coprocessor Zero State	111
6.1.2 TLB Initialization (4Kc core only)	112
6.1.3 Bus State Machines	112
6.1.4 Static Configuration Inputs	112
6.1.5 Fetch Address	112
6.2 Software Initialized Processor State	112
6.2.1 Register File	112
6.2.2 TLB (4Kc Core Only)	112
6.2.3 Caches	112
6.2.4 Coprocessor Zero state	113
Chapter 7 Caches	115
7.1 Introduction	115
7.2 Cache Protocols	116
7.2.1 Cache Organization	116
7.2.2 Cacheability Attributes	117
7.2.3 Replacement Policy	117
7.3 Instruction Cache	117
7.4 Data Cache	117
7.5 Memory Coherence Issues	118
Chapter 8 Power Management	119
8.1 Register-Controlled Power Management	119
8.2 Instruction-Controlled Power Management	120
Chapter 9 EJTAG Debug Support	121
9.1 Debug Control Register	122
9.2 Hardware Breakpoints	124
9.2.1 Features of Instruction Breakpoint	124
9.2.2 Features of Data Breakpoint	124
9.2.3 Overview of Registers for Instruction Breakpoints	125
9.2.4 Registers for Data Breakpoint Setup	126
9.2.5 Conditions for Matching Breakpoints	126
9.2.6 Debug Exceptions from Breakpoints	127
9.2.7 Breakpoint used as Triggerpoint	129
9.2.8 Instruction Breakpoint Registers	130
9.2.9 Data Breakpoint Registers	136
9.3 Test Access Port (TAP)	144
9.3.1 EJTAG Internal and External Interfaces	144
9.3.2 Test Access Port Operation	145

9.3.3 Test Access Port (TAP) Instructions	148
9.4 EJTAG TAP Registers	150
9.4.1 Instruction Register	150
9.4.2 Data Registers Overview	151
9.4.3 Processor Access Address Register	157
9.4.4 Fastdata Register (TAP Instruction FASTDATA)	158
9.5 Processor Accesses	159
9.5.1 Fetch/Load and Store from/to the EJTAG Probe through dmseg	160
Chapter 10 Instruction Set Overview	163
10.1 CPU Instruction Formats	163
10.2 Load and Store Instructions	164
10.2.1 Scheduling a Load Delay Slot	164
10.2.2 Defining Access Types	164
10.3 Computational Instructions	165
10.3.1 Cycle Timing for Multiply and Divide Instructions	165
10.4 Jump and Branch Instructions	166
10.4.1 Overview of Jump Instructions	166
10.4.2 Overview of Branch Instructions	166
10.5 Control Instructions	166
10.6 Coprocessor Instructions	166
10.7 Enhancements to the MIPS Architecture	166
10.7.1 CLO - Count Leading Ones	167
10.7.2 CLZ - Count Leading Zeros	167
10.7.3 MADD - Multiply and Add Word	167
10.7.4 MADDU - Multiply and Add Unsigned Word	167
10.7.5 MSUB - Multiply and Subtract Word	167
10.7.6 MSUBU - Multiply and Subtract Unsigned Word	167
10.7.7 MUL - Multiply Word	168
10.7.8 SSNOP- Superscalar Inhibit NOP	168
Chapter 11 MIPS32 4K Processor Core Instructions	169
11.1 Understanding the Instruction Descriptions	169
11.2 CPU Opcode Map	169
11.3 Instruction Set	171
Appendix A Revision History	205

List of Figures

Figure 1-1: 4K Processor Core Block Diagram	4
Figure 1-2: Address Translation during a Cache Access in the 4Kc Core	6
Figure 1-3: Address Translation during a Cache Access in the 4Km and 4Kp Cores	7
Figure 2-1: 4Kc Core Pipeline Stages	12
Figure 2-2: 4Km Core Pipeline Stages	12
Figure 2-3: 4Kp Core Pipeline Stages	12
Figure 2-4: Instruction Cache Miss Timing (4Kc core)	14
Figure 2-5: Instruction Cache Miss Timing (4Km and 4Kp cores).....	15
Figure 2-6: Load/Store Cache Miss Timing (4Kc core).....	15
Figure 2-7: Load/Store Cache Miss Timing (4Km and 4Kp cores)	16
Figure 2-8: MDU Pipeline Behavior during Multiply Operations (4Kc and 4Km processors)	18
Figure 2-9: MDU Pipeline Flow During a 32x16 Multiply Operation	19
Figure 2-10: MDU Pipeline Flow During a 32x32 Multiply Operation	19
Figure 2-11: MDU Pipeline Flow During an 8-bit Divide (DIV) Operation	20
Figure 2-12: MDU Pipeline Flow During a 16-bit Divide (DIV) Operation	20
Figure 2-13: MDU Pipeline Flow During a 24-bit Divide (DIV) Operation	20
Figure 2-14: MDU Pipeline Flow During a 32-bit Divide (DIV) Operation	20
Figure 2-15: 4Kp MDU Pipeline Flow During a Multiply Operation.....	22
Figure 2-16: 4Kp MDU Pipeline Flow During a Multiply Accumulate Operation	22
Figure 2-17: 4Kp MDU Pipeline Flow During a Divide (DIV) Operation	22
Figure 2-18: IU Pipeline Branch Delay	23
Figure 2-19: IU Pipeline Data Bypass.....	24
Figure 2-20: IU Pipeline M to E bypass	24
Figure 2-21: IU Pipeline A to E Data Bypass	25
Figure 2-22: IU Pipeline Slip after MFHI	25
Figure 2-23: Instruction Cache Miss Slip.....	26
Figure 3-1: Address Translation During a Cache Access in the 4Kc Core	32
Figure 3-2: Address Translation During a Cache Access in the 4Km and 4Kp cores	32
Figure 3-3: 4K Processor Core Virtual Memory Map.....	34
Figure 3-4: User Mode Virtual Address Space	35
Figure 3-5: Kernel Mode Virtual Address Space	37
Figure 3-6: Debug Mode Virtual Address Space	39
Figure 3-7: JTLB Entry (Tag and Data)	41
Figure 3-8: Overview of a Virtual-to-Physical Address Translation in the 4Kc Core	44
Figure 3-9: 32-bit Virtual Address Translation	45
Figure 3-10: TLB Address Translation Flow in the 4Kc Processor Core	46
Figure 3-11: FM Memory Map (ERL=0) in the 4Km and 4Kp Processor Cores	48
Figure 3-12: FM Memory Map (ERL=1) in the 4Km and 4Kp Processor Cores	49
Figure 4-1: General Exception Handler (HW)	68
Figure 4-2: General Exception Servicing Guidelines (SW)	69
Figure 4-3: TLB Miss Exception Handler (HW) — 4Kc Core only	70
Figure 4-4: TLB Exception Servicing Guidelines (SW) — 4Kc Core only.....	71
Figure 4-5: Reset, Soft Reset and NMI Exception Handling and Servicing Guidelines.....	72
Figure 5-1: Wired and Random Entries in the TLB	82
Figure 7-1: Cache Array Formats.....	116
Figure 9-1: Instruction Hardware Breakpoint Overview (4Kc Core).....	124
Figure 9-2: Instruction Hardware Breakpoint Overview (4Km and 4Kp Core).....	124
Figure 9-3: Data Hardware Breakpoint Overview (4Kc Core)	125
Figure 9-4: Data Hardware Breakpoint Overview (4Km/4Kp Core)	125
Figure 9-5: TAP Controller State Diagram	146

Figure 9-6: Concatenation of the EJTAG Address, Data and Control Registers	150
Figure 9-7: TDI to TDO Path when in Shift-DR State and FASTDATA Instruction is Selected	150
Figure 9-8: Endian Formats for the <i>PAD</i> Register	158
Figure 10-1: Instruction Formats	164
Figure 11-1: Usage of Address Fields to Select Index and Way	178

List of Tables

Table 2-1: 4Kc and 4Km Core Instruction Latencies	17
Table 2-2: 4Kc and 4Km Core Instruction Repeat Rates	18
Table 2-3: 4Kp Core Instruction Latencies	21
Table 2-4: Pipeline Interlocks	25
Table 2-5: Instruction Interlocks	27
Table 2-6: Instruction Hazards	28
Table 3-1: User Mode Segments	36
Table 3-2: Kernel Mode Segments.....	37
Table 3-3: Physical Address and Cache Attributes for dseg, dmseg, and drseg Address Spaces	39
Table 3-4: CPU Access to drseg Address Range	39
Table 3-5: CPU Access to dmseg Address Range.....	40
Table 3-6: TLB Tag Entry Fields	41
Table 3-7: TLB Data Entry Fields.....	42
Table 3-8: TLB Instructions	47
Table 3-9: Cache Coherency Attributes	47
Table 3-10: Cacheability of Segments with Block Address Translation	47
Table 4-1: Priority of Exceptions	52
Table 4-2: Exception Vector Base Addresses	53
Table 4-3: Exception Vector Offsets	54
Table 4-4: Exception Vectors	54
Table 4-5: Debug Exception Vector Addresses	56
Table 4-6: Register States an Interrupt Exception.....	60
Table 4-7: Register States on a Watch Exception	61
Table 4-8: CP0 Register States on an Address Exception Error	62
Table 4-9: CP0 Register States on a TLB Refill Exception	62
Table 4-10: CP0 Register States on a TLB Invalid Exception	63
Table 4-11: Register States on a Coprocessor Unusable Exception.....	65
Table 4-12: Register States on a TLB Modified Exception	66
Table 5-1: CP0 Registers	73
Table 5-2: CP0 Register Field Types	75
Table 5-3: Index Register Field Descriptions.....	76
Table 5-4: <i>Random</i> Register Field Descriptions	77
Table 5-5: <i>EntryLo0</i> , <i>EntryLo1</i> Register Field Descriptions	78
Table 5-6: Cache Coherency Attributes	78
Table 5-7: <i>Context</i> Register Field Descriptions	80
Table 5-8: <i>PageMask</i> Register Field Descriptions.....	81
Table 5-9: Values for the Mask Field of the <i>PageMask</i> Register	81
Table 5-10: Wired Register Field Descriptions.....	82
Table 5-11: <i>BadVAddr</i> Register Field Description	83
Table 5-12: <i>Count</i> Register Field Description.....	84
Table 5-13: <i>EntryHi</i> Register Field Descriptions.....	85
Table 5-14: <i>Compare</i> Register Field Description	86
Table 5-15: <i>Status</i> Register Field Descriptions	88
Table 5-16: <i>Cause</i> Register Field Descriptions	91
Table 5-17: Cause Register ExcCode Field Descriptions	92
Table 5-18: <i>EPC</i> Register Field Description.....	93
Table 5-19: <i>PRId</i> Register Field Descriptions.....	94
Table 5-20: <i>Config</i> Register Field Descriptions	95
Table 5-21: Cache Coherency Attributes	96
Table 5-22: <i>Config1</i> Register Field Descriptions — Select 1	98

Table 5-23: <i>LLAddr</i> Register Field Descriptions	99
Table 5-24: <i>WatchLo</i> Register Field Descriptions	100
Table 5-25: <i>WatchHi</i> Register Field Descriptions	101
Table 5-26: <i>Debug</i> Register Field Descriptions	102
Table 5-27: <i>DEPC</i> Register Formats.....	105
Table 5-28: <i>ErrCtl</i> Register Field Descriptions	106
Table 5-29: <i>TagLo</i> Register Field Descriptions	107
Table 5-30: <i>DataLo</i> Register Field Description	108
Table 5-31: <i>ErrorEPC</i> Register Field Description.....	109
Table 5-32: <i>DeSave</i> Register Field Description	110
Table 7-1: Instruction and Data Cache Attributes	115
Table 7-2: Instruction and Data Cache Sizes	116
Table 9-1: <i>Debug Control Register</i> Field Descriptions	122
Table 9-2: Overview of Status Register for Instruction Breakpoints	125
Table 9-3: Overview of Registers for each Instruction Breakpoint	125
Table 9-4: Overview of Status Register for Data Breakpoints.....	126
Table 9-5: Overview of Registers for each Data Breakpoint	126
Table 9-6: Addresses for Instruction Breakpoint Registers	130
Table 9-7: <i>IBS</i> Register Field Descriptions	131
Table 9-8: <i>IBAn</i> Register Field Descriptions.....	132
Table 9-9: <i>IBMn</i> Register Field Descriptions.....	133
Table 9-10: <i>IBASIDn</i> Register Field Descriptions	134
Table 9-11: <i>IBCn</i> Register Field Descriptions	135
Table 9-12: Addresses for Data Breakpoint Registers	136
Table 9-13: <i>DBS</i> Register Field Descriptions	137
Table 9-14: <i>DBAn</i> Register Field Descriptions	138
Table 9-15: <i>DBMn</i> Register Field Descriptions	139
Table 9-16: <i>DBASIDn</i> Register Field Descriptions.....	140
Table 9-17: <i>DBCn</i> Register Field Descriptions	141
Table 9-18: <i>DBVn</i> Register Field Descriptions	143
Table 9-19: EJTAG Interface Pins	144
Table 9-20: Implemented EJTAG Instructions	148
Table 9-21: Device Identification Register	152
Table 9-22: <i>Implementation</i> Register Descriptions	152
Table 9-23: <i>EJTAG Control</i> Register Descriptions	153
Table 9-24: Fastdata Register Field Description	158
Table 9-25: Operation of the FASTDATA access	159
Table 10-1: Byte Access within a Word.....	165
Table 11-1: Encoding of the Opcode Field	169
Table 11-2: Special Opcode Encoding of Function Field	170
Table 11-3: Spedal2 Opcode Encoding of Function Field	170
Table 11-4: RegImm Encoding of <i>rt</i> Field	170
Table 11-5: COPO Encoding of <i>rs</i> Field	170
Table 11-6: COPO Encoding of Function Field When <i>rs</i> =CO	171
Table 11-7: Instruction Set	171
Table 11-8: Usage of Effective Address	177
Table 11-9: Encoding of Bits[17:16] of CACHE Instruction	178
Table 11-10: Encoding of Bits [20:18] of the CACHE Instruction <i>ErrCtl</i> [WST,SPR] Cleared.....	179
Table 11-11: Encoding of Bits [20:18] of the CACHE Instruction, <i>ErrCtl</i> [WST] Set. <i>ErrCtl</i> [SPR] Cleared	181
Table 11-12: Encoding of Bits [20:18] of the CACHE Instruction, <i>ErrCtl</i> [SPR] Set.....	182
Table 11-13: Values of the <i>hint</i> Field for the PREF Instruction	188

Introduction to the MIPS32 4K™ Processor Core Family

The MIPS32™ 4K™ processor cores from MIPS® Technologies are a high-performance, low-power, 32-bit MIPS RISC cores intended for custom system-on-silicon applications. The cores are designed for semiconductor manufacturing companies, ASIC developers, and system OEMs who want to rapidly integrate their own custom logic and peripherals with a high-performance RISC processor. The cores are fully synthesizable to allow maximum flexibility; they are highly portable across processes and can be easily integrated into full system-on-silicon designs, allowing developers to focus their attention on end-user products.

The cores are ideally positioned to support new products for emerging segments of the digital consumer, network, systems, and information management markets, enabling new tailored solutions for embedded applications.

The 4K family has three members: the 4Kc™, 4Km™, and 4Kp™ cores. The cores incorporate aspects of both the MIPS Technologies R3000® and R4000® processors. The three devices differ mainly in the type of multiply-divide unit (MDU) and the memory management unit (MMU).

- The 4Kc core contains a fully-associative translation lookaside buffer (TLB) based MMU and a pipelined MDU.
- The 4Km core contains a fixed mapping (FM) mechanism in the MMU, that is smaller and simpler than the TLB-based implementation used in the 4Kc core, and a pipelined MDU (as in the 4Kc core) is used.
- The 4Kp core contains a fixed mapping (FM) mechanism in the MMU (like the 4Km core), and a smaller non-pipelined iterative MDU.

Optional instruction and data caches are fully programmable from 0 - 16 Kbytes in size. In addition, each cache can be organized as direct-mapped, 2-way, 3-way, or 4-way set associative. On a cache miss, loads are blocked only until the first critical word becomes available. The pipeline resumes execution while the remaining words are being written to the cache. Both caches are virtually indexed and physically tagged. Virtual indexing allows the cache to be indexed in the same clock in which the address is generated rather than waiting for the virtual-to-physical address translation in the Memory Management Unit (MMU).

All the cores execute the MIPS32 instruction set architecture (ISA). The MIPS32 ISA contains all MIPS II instructions as well as special multiply-accumulate, conditional move, prefetch, wait, and zero/one detect instructions. The R4000-style memory management unit of the 4Kc core contains a 3-entry instruction TLB (ITLB), a 3-entry data TLB (DTLB), and a 16 dual-entry joint TLB (JTLB) with variable page sizes. The 4Km and 4Kp processor cores contain a simplified fixed mapping (FM) mechanism where the mapping of address spaces is determined through bits in the CP0 Config (select 0) register.

The 4Kc and 4Km multiply-divide unit (MDU) supports a maximum issue rate of one 32x16 multiply (MUL/MULT/MULTU), multiply-add (MADD/MADDU), or multiply-subtract (MSUB/MSUBU) operation per clock, or one 32x32 MUL, MADD, or MSUB every other clock. The basic Enhanced JTAG (EJTAG) features provide CPU run control with stop, single stepping and re-start, and with software breakpoints through the SDBBP instruction. In addition, optional instruction and data virtual address hardware breakpoints, and optional connection to an external EJTAG probe through the Test Access Port (TAP) may be included.

This chapter provides an overview of the MIPS32 4K processor cores and consists of the following sections:

- [Section 1.1, "Features"](#)
- [Section 1.2, "Block Diagram"](#)

- [Section 1.3, "Required Logic Blocks"](#)
- [Section 1.4, "Optional Logic Blocks"](#)

1.1 Features

- 32-bit Address and Data Paths
- MIPS32 compatible instruction set
 - All MIPSII™ instructions
 - Multiply-add and multiply-subtract instructions (MADD, MADDU, MSUB, MSUBU)
 - Targeted multiply instruction (MUL)
 - Zero and one detect instructions (CLZ, CLO)
 - Wait instruction (WAIT)
 - Conditional move instructions (MOVZ, MOVN)
 - Prefetch instruction (PREF)
- Programmable Cache Sizes
 - Individually configurable instruction and data caches
 - Sizes from 0 up to 16-Kbyte
 - Direct mapped, 2-, 3-, or 4-Way set associative
 - Loads that miss in the cache are blocked only until critical word is available
 - Write-through, no write-allocate
 - 128 bit (16-byte) cache line size, word sectored - suitable for standard 32-bit wide single-port SRAM
 - Virtually indexed, physically tagged
 - Cache line locking support
 - Non-blocking prefetches
- ScratchPad RAM support
 - Replace one way of I-Cache and/or D-Cache
 - Max 20-bit index (1M address)
 - Memory mapped registers attached to scratchpad port can be used as a co-processor interface
- R4000 Style Privileged Resource Architecture
 - Count/compare registers for real-time timer interrupts
 - Instruction and data watch registers for software breakpoints
 - Separate interrupt exception vector
- Programmable Memory Management Unit (4Kc core only)
 - 16 dual-entry R4000 style JTLB with variable page sizes
 - 3-entry instruction TLB
 - 3-entry data TLB

- Programmable Memory Management Unit (4Km and 4Kp cores only)
 - fixed mapping (no JTLB, ITLB, or DTLB)
 - Address spaces mapped using register bits
- Simple Bus Interface Unit (BIU)
 - All I/Os fully registered
 - Separate unidirectional 32-bit address and data buses
 - Two 16-byte collapsing write buffers
- Multiply-Divide Unit (4Kc and 4Km cores)
 - Max issue rate of one 32x16 multiply per clock
 - Max issue rate of one 32x32 multiply every other clock
 - Early in divide control. Minimum 11, maximum 34 clock latency on divide
- Multiply-Divide Unit (4Kp cores)
 - Iterative multiply and divide. 32 or more cycles for each instruction.
- Power Control
 - No minimum frequency
 - Power-down mode (triggered by WAIT instruction)
 - Support for software-controlled clock divider
- EJTAG Debug Support
 - CPU control with start, stop and single stepping
 - Software breakpoints via the SDBBP instruction
 - Optional hardware breakpoints on virtual addresses; 4 instruction and 2 data breakpoints, 2 instruction and 1 data breakpoint, or no breakpoints
 - Test Access Port (TAP) facilitates high speed download of application code

1.2 Block Diagram

All cores contain both required and optional blocks. Required blocks are the lightly shaded areas of the block diagram and must be implemented to remain MIPS-compliant. Optional blocks can be added to the cores based on the needs of the implementation. The required blocks are as follows:

- Execution Unit
- Multiply-Divide Unit (MDU)
- System Control Coprocessor (CPO)
- Memory Management Unit (MMU)
- Cache Controller
- Bus Interface Unit (BIU)
- Power Management

Optional blocks include:

- Instruction Cache (I-Cache)

- Data Cache (D-Cache)
- Enhanced JTAG (EJTAG) Controller

Figure 1-1 shows a block diagram of a 4K core. The MMU can be implemented using either a translation lookaside buffer (TLB) in the case of the 4Kc core, or a fixed mapping (FM) in the case of the 4Km and 4Kp cores. Refer to Chapter 3, “Memory Management,” on page 31 for more information.

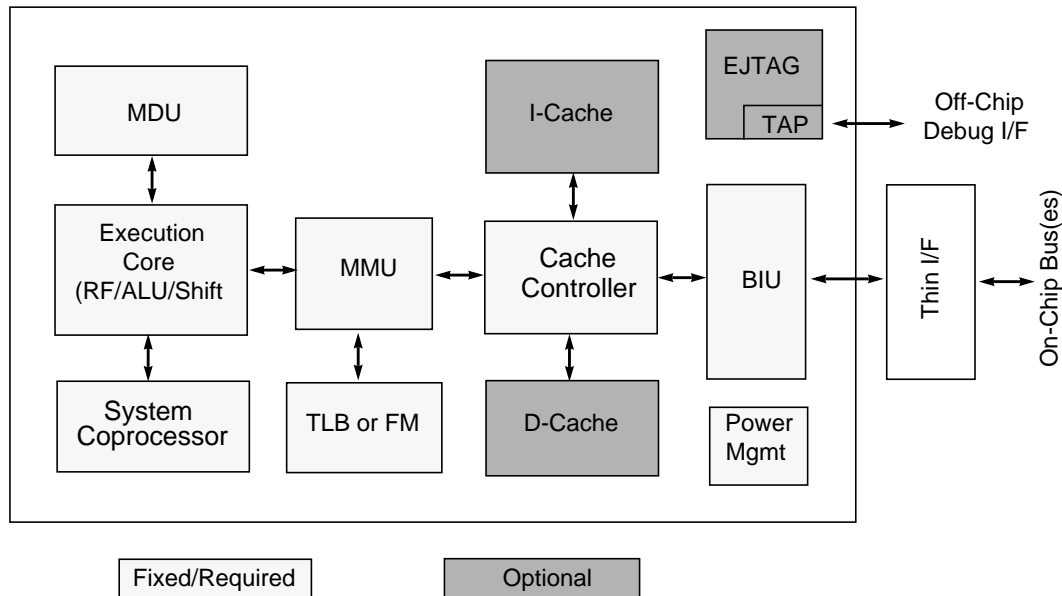


Figure 1-1 4K Processor Core Block Diagram

1.3 Required Logic Blocks

The following subsections describe the various required logic blocks of the 4K processor cores.

1.3.1 Execution Unit

The core execution unit implements a load-store architecture with single-cycle Arithmetic Logic Unit (ALU) operations (logical, shift, add, subtract) and an autonomous multiply-divide unit. The core contains thirty-two 32-bit general-purpose registers used for scalar integer operations and address calculation. The register file consists of two read ports and one write port and is fully bypassed to minimize operation latency in the pipeline.

The execution unit includes:

- 32-bit adder used for calculating the data address
- Address unit for calculating the next instruction address
- Logic for branch determination and branch target address calculation
- Load aligner
- Bypass multiplexers used to avoid stalls when executing instruction streams where data-producing instructions are followed closely by consumers of their results
- Zero/One detect unit for implementing the CLZ and CLO instructions
- ALU for performing bitwise logical operations

- Shifter and Store aligner

1.3.2 Multiply/Divide Unit (MDU)

The Multiply/Divide unit performs multiply and divide operations. In the 4Kc and 4Km processors, the MDU consists of a 32x16 booth-encoded multiplier, result-accumulation registers (HI and LO), a divide state machine, and all multiplexers and control logic required to perform these functions. This pipelined MDU supports execution of a 16x16 or 32x16 multiply operation every clock cycle; 32x32 multiply operations can be issued every other clock cycle. Appropriate interlocks are implemented to stall the issue of back-to-back 32x32 multiply operations. Divide operations are implemented with a simple 1 bit per clock iterative algorithm and require 35 clock cycles in worst case to complete. Early-in to the algorithm detects sign extension of the dividend, if it is actual size is 24, 16 or 8 bit. the divider will skip 7, 15 or 23 of the 32 iterations. An attempt to issue a subsequent MDU instruction while a divide is still active causes a pipeline stall until the divide operation is completed.

In the 4Kp processor, the non-pipelined MDU consists of a 32-bit full-adder, result-accumulation registers (HI and LO), a combined multiply/divide state machine, and all multiplexers and control logic required to perform these functions. It performs any multiply using 32 cycles in an iterative 1 bit per clock algorithm. Divide operations are also implemented with a simple 1 bit per clock iterative algorithm (no early-in) and require 35 clock cycles to complete. An attempt to issue a subsequent MDU instruction while a multiply/divide is still active causes a pipeline stall until the operation is completed.

An additional multiply instruction, MUL is implemented, which specifies that the lower 32 bits of the multiply result be placed in the register file instead of the HI/LO register pair. By avoiding the explicit move from LO (MFLO) instruction, required when using the LO register, and by supporting multiple destination registers, the throughput of multiply-intensive operations is increased.

Two instructions, multiply-add (MADD/MADDU) and multiply-subtract (MSUB/MSUBU), are used to perform the multiply-add and multiply-subtract operations. The MADD instruction multiplies two numbers and then adds the product to the current contents of the HI and LO registers. Similarly, the MSUB instruction multiplies two operands and then subtracts the product from the HI and LO registers. The MADD/MADDU and MSUB/MSUBU operations are commonly used in Digital Signal Processor (DSP) algorithms.

1.3.3 System Control Coprocessor (CP0)

In the MIPS architecture, CP0 is responsible for the virtual-to-physical address translation, cache protocols, the exception control system, the processor's diagnostics capability, operating mode selection (kernel vs. user mode), and the enabling/disabling of interrupts. Configuration information such as cache size, set associativity, and EJTAG debug features are available by accessing the CP0 registers. Refer to [Chapter 5, "CP0 Registers," on page 73](#) for more information on the CP0 registers. Refer to [Chapter 9, "EJTAG Debug Support," on page 121](#) for more information on EJTAG debug registers.

1.3.4 Memory Management Unit (MMU)

Each The core contains an MMU that interfaces between the execution unit and the cache controller, shown in [Figure 1-1](#). Although the 4Kc core implements a 32-bit architecture, the Memory Management Unit (MMU) is modeled after the MMU found in the 64-bit R4000 family, as defined by the MIPS32 architecture.

The 4Kc core implements an MMU based on a Translation Lookaside Buffer (TLB). The TLB actually consists of three translation buffers: a 16 dual-entry fully associative Joint TLB (JTLB), a 3-entry fully associative Instruction TLB (ITLB) and a 3-entry fully associative data TLB(DTLB). The ITLB and DTLB, also referred to as the micro TLBs, are managed by the hardware and are not software visible. The micro TLBs contain subsets of the JTLB. When translating addresses, the corresponding micro TLB (I or D) is accessed first. If there is not a matching entry, the JTLB is used to

translate the address and refill the micro TLB. If the entry is not found in the JTLB, an exception is taken. To minimize the micro TLB miss penalty, the JTLB is looked up in parallel with the DTLB for data references. This results in a 1 cycle stall for a DTLB miss and a 2 cycle stall for an ITLB miss.

The 4Km and 4Kp cores implement an FM-based MMU instead of a TLB-based MMU. The FM replaces both the JTLB, ITLB and DTLB in the 4Kc core. The FM performs a simple translation to get the physical address from the virtual address. Refer to [Chapter 3, “Memory Management,”](#) on page 31 for more information on the FM.

[Figure 1-2](#) shows how the ITLB, DTLB and JTLB are used in the 4Kc core. [Figure 1-3](#) show how the FM is used in the 4Km and 4Kp cores.

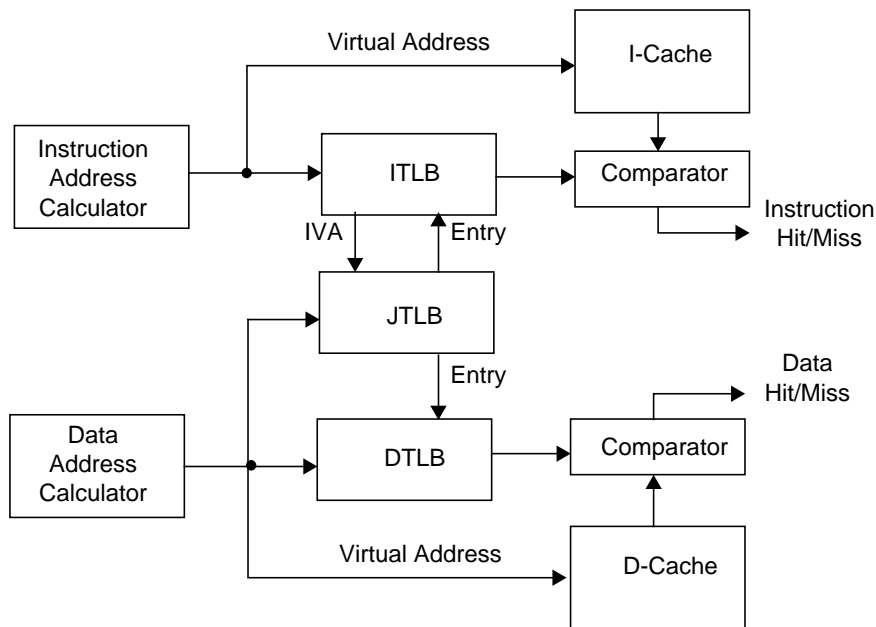


Figure 1-2 Address Translation during a Cache Access in the 4Kc Core

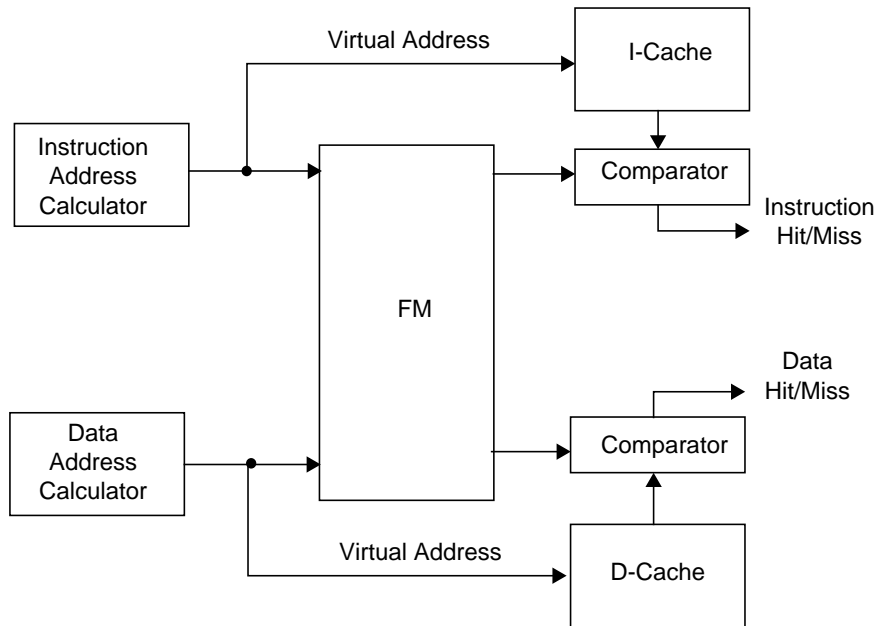


Figure 1-3 Address Translation during a Cache Access in the 4Km and 4Kp Cores

1.3.5 Cache Controllers

The data and instruction cache controllers support caches of various sizes, organizations, and set associativity. For example, the data cache can be 2 Kbytes in size and 2-way set associative, while the instruction cache can be 8 Kbytes in size and 4-way set associative. There are separate cache controllers for the I-Cache and D-Cache.

Each cache controller contains and manages a one-line fill buffer. Besides accumulating data to be written to the cache, the fill buffer is accessed in parallel with the cache and data can be bypassed back to the core.

Refer to [Chapter 7, “Caches,” on page 115](#) for more information on the instruction and data cache controllers.

1.3.6 Bus Interface Unit (BIU)

The Bus Interface Unit (BIU) controls the external interface signals. Additionally, it contains the implementation of a 32-byte collapsing write-buffer. The purpose of this buffer is to hold and combine write transactions before issuing them to the external interface. Since the data caches for all cores follow a write-through cache policy, the write-buffer significantly reduces the number of write transactions on the external interface as well as reducing the amount of stalling in the core due to issuance of multiple writes in a short period of time.

The write-buffer is organized as two 16-byte buffers. Each buffer contains data from a single 16-byte aligned block of memory. One buffer contains the data currently being transferred on the external interface, while the other buffer contains accumulating data from the core.

1.3.7 Power Management

The core offers a number of power management features, including low-power design, active power management, and power-down modes of operation. The core is a static design that supports a WAIT instruction designed to signal the rest

of the device that execution and clocking should be halted, hence reducing system power consumption during idle periods.

The core provides two mechanisms for system-level, low-power support:

- Register-controlled power management
- Instruction-controlled power management

In register controlled power management mode the core provides three bits in the CP0 Status register for software control of the power management function and allows interrupts to be serviced even when the core is in power-down mode. In instruction controlled power-down mode execution of the WAIT instruction is used to invoke low-power mode.

Refer to [Chapter 8, “Power Management,” on page 119](#) for more information on power management.

1.4 Optional Logic Blocks

The core consists of the following optional logic blocks as shown in the block diagram in [Figure 1-1](#).

1.4.1 Instruction Cache

The instruction cache is an optional on-chip memory array of up to 16 Kbytes. The cache is virtually indexed and physically tagged, allowing the virtual-to-physical address translation to occur in parallel with the cache access rather than having to wait for the physical address translation. The tag holds 22 bits of the physical address, 4 valid bits, a lock bit, and the LRF (Least Recently Filled) replacement bit.

All cores support instruction cache-locking. Cache locking allows critical code to be locked into the cache on a “per-line” basis, enabling the system designer to maximize the efficiency of the system cache. Cache locking is always available on all instruction cache entries. Entries can be marked as locked or unlocked (by setting or clearing the lock-bit) on a per-entry basis using the CACHE instruction.

1.4.2 Data Cache

The data cache is an optional on-chip memory array of up to 16-Kbytes. The cache is virtually indexed and physically tagged, allowing the virtual-to-physical address translation to occur in parallel with the cache access. The tag holds 22 bits of the physical address, 4 valid bits, a lock bit, and the LRF replacement bit.

In addition to instruction cache locking, all cores also support a data cache locking mechanism identical to the instruction cache, with critical data segments to be locked into the cache on a “per-line” basis. The locked contents cannot be selected for replacement on a cache miss, but can be updated on a store hit.

Cache locking is always available on all data cache entries. Entries can be marked as locked or unlocked on a per-entry basis using the CACHE instruction.

The physical data cache memory must be byte writable to support non-word store operations.

1.4.3 EJTAG Controller

All cores provide basic EJTAG support with debug mode, run control, single step and software breakpoint instruction (SDBBP) as part of the core. These features allow for the basic software debug of user and kernel code.

Optional EJTAG features include hardware breakpoints. A 4K core may have four instruction breakpoints and two data breakpoints, two instruction breakpoints and one data breakpoint, or no breakpoints. The hardware instruction breakpoints can be configured to generate a debug exception when an instruction is executed anywhere in the virtual address space. Bit mask and address space identifier (ASID) values may apply in the address compare. These breakpoints are not limited to code in RAM like the software instruction breakpoint (SDBBP). The data breakpoints can be configured to generate a debug exception on a data transaction. The data transaction may be qualified with both virtual address, data value, size and load/store transaction type. Bit mask and ASID values may apply in the address compare, and byte mask may apply in the value compare.

Refer to [Chapter 9, “EJTAG Debug Support,” on page 121](#) for more information on hardware breakpoints.

An optional Test Access Port (TAP) provides for the communication from an EJTAG probe to the CPU through a dedicated port, may also be applied to the core. This provides the possibility for debugging without debug code in the application, and for download of application code to the system.

Refer to [Chapter 9, “EJTAG Debug Support,” on page 121](#) for more information on the EJTAG features.

Pipeline

The MIPS32 4K processor cores implements a 5-stage pipeline similar to the original R3000 pipeline. The pipeline allows the processor to achieve high frequency while minimizing device complexity, reducing both cost and power consumption. This chapter contains the following sections:

- [Section 2.1, "Pipeline Stages"](#)
- [Section 2.2, "Instruction Cache Miss"](#)
- [Section 2.3, "Data Cache Miss"](#)
- [Section 2.4, "Multiply/Divide Operations"](#)
- [Section 2.5, "MDU Pipeline \(4Kc and 4Km Cores\)"](#)
- [Section 2.6, "MDU Pipeline \(4Kp Core Only\)"](#)
- [Section 2.7, "Branch Delay"](#)
- [Section 2.8, "Data Bypassing"](#)
- [Section 2.9, "Interlock Handling"](#)
- [Section 2.10, "Slip Conditions"](#)
- [Section 2.11, "Instruction Interlocks"](#)
- [Section 2.12, "Instruction Hazards"](#)

2.1 Pipeline Stages

The pipeline consists of five stages:

- Instruction (I stage)
- Execution (E stage)
- Memory (M stage)
- Align/Accumulate (A stage)
- Writeback (W stage)

All three cores implement a “Bypass” mechanism that allows the result of an operation to be sent directly to the instruction that needs it without having to write the result to the register and then read it back.

[Figure 2-1](#) shows the operations performed in each pipeline stage of the 4Kc processor.

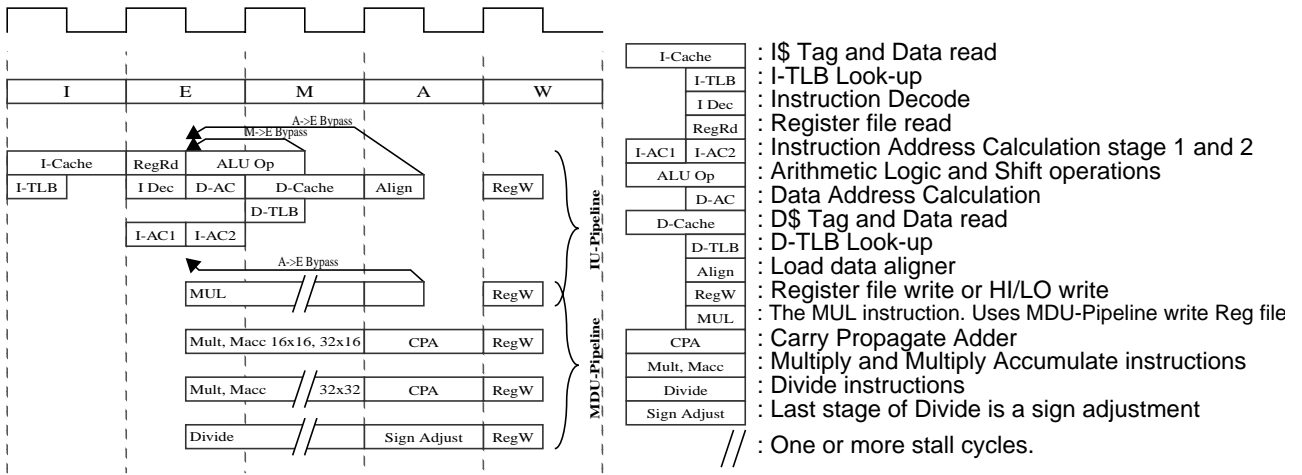


Figure 2-1 4Kc Core Pipeline Stages

Figure 2-2 shows the operations performed in each pipeline stage of the 4Km processor core.

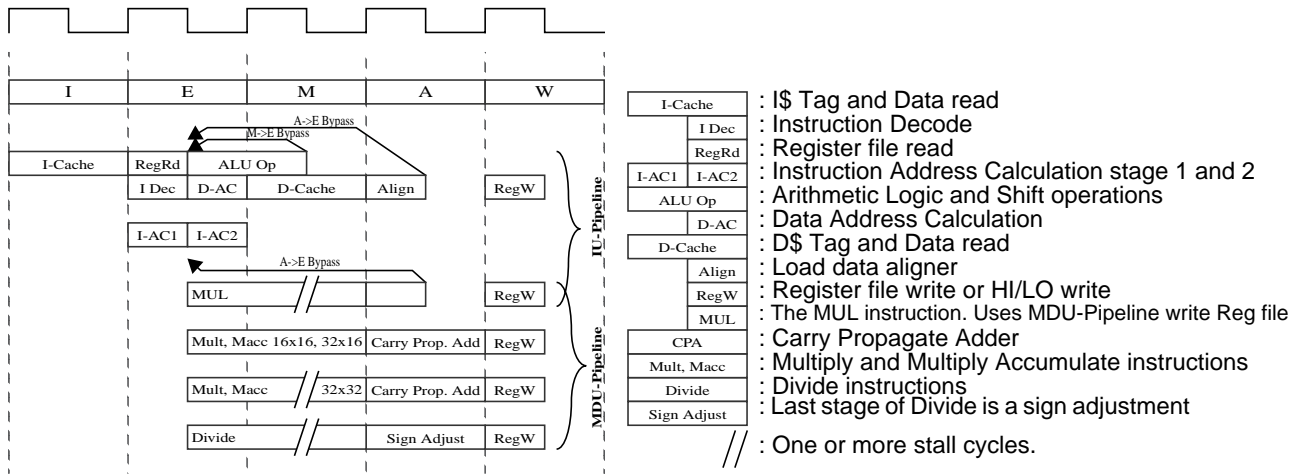


Figure 2-2 4Km Core Pipeline Stages

Figure 2-3 shows the operations performed in each pipeline stage of the 4Kp processor core.

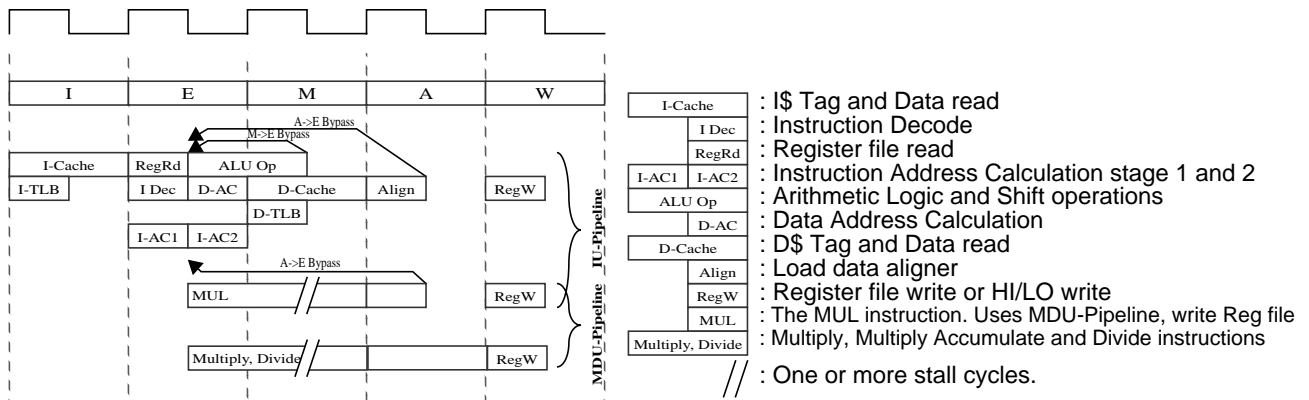


Figure 2-3 4Kp Core Pipeline Stages

2.1.1 I Stage: Instruction Fetch

During the Instruction fetch stage:

- An instruction is fetched from the instruction cache.
- The I-TLB performs a virtual-to-physical address translation (4Kc core only).

2.1.2 E Stage: Execution

During the Execution stage:

- Operands are fetched from the register file.
- Operands from M and A stage are bypassed to this stage.
- The Arithmetic Logic Unit (ALU) begins the arithmetic or logical operation for register-to-register instructions.
- The ALU calculates the data virtual address for load and store instructions.
- The ALU determines whether the branch condition is true and calculates the virtual branch target address for branch instructions.
- Instruction logic selects an instruction address
- All multiply and divide operations begin in this stage.

2.1.3 M Stage: Memory Fetch

During the Memory Fetch stage:

- The arithmetic or logic ALU operation completes.
- The data cache fetch and the data virtual-to-physical address translation are performed for load and store instructions.
- Data TLB (4Kc core only) and data cache lookup are performed and a hit/miss determination is made.
- A 16x16 or 32x16 MUL operation completes in the array and stalls for one clock in the M stage to complete the carry-propagate-add in the M stage (4Kc and 4Km cores).
- A 32x32 MUL operation stalls for two clocks in the M stage to complete second cycle of the array and the carry-propagate-add in the M stage (4Kc and 4Km cores).
- A 16x16 or 32x16 MULT/MADD/MSUB operation completes in the array (4Kc and 4Km cores).
- A 32x32 MULT/MADD/MSUB operation stalls for one clock in the M_{MDU} stage of the MDU pipeline to complete second cycle in the array (4Kc and 4Km cores).
- A divide operation stalls for a maximum of 32 clocks in the M_{MDU} stage of the MDU pipeline (4Kc and 4Km cores).
- A multiply operation stalls for 31 clocks in M_{MDU} stage (4Kp core only).
- A multiply-accumulate operation stalls for 33 clocks in M_{MDU} stage (4Kp core only).
- A divide operation stalls for 32 clocks in the M_{MDU} stage (4Kp core only).

2.1.4 A Stage: Align/Accumulate

During the Align/Accumulate stage:

- A separate aligner aligns loaded data with its word boundary.

- A MUL operation makes the result available for writeback. The actual register writeback is performed in the W stage (all 4K cores).
- A MULT/MADD/MSUB operation performs the carry-propagate-add. This includes the accumulate step for the MADD/MSUB operations. The actual register writeback to HI and LO is performed in the W stage (4Kc and 4Km cores).
- A divide operation perform the final Sign-Adjust. The actual register writeback to HI and LO is performed in the W stage (4Kc and 4Km cores).
- A multiply/divide operation writes to HI/LO registers (4Kp core only).

2.1.5 W Stage: Writeback

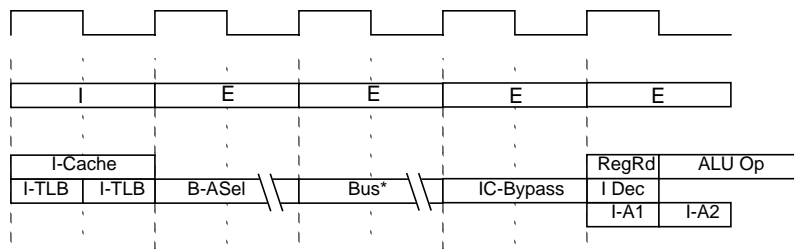
- For register-to-register or load instructions, the result is written back to the register file during the W stage.

2.2 Instruction Cache Miss

When the instruction cache is indexed, the instruction address is translated to determine if the required instruction resides in the cache. An instruction cache miss occurs when the requested instruction address does not reside in the instruction cache. When a cache miss is detected in the I stage, the core transitions to the E stage. The pipeline stalls in the E stage until the miss is resolved. The bus interface unit must select the address from multiple sources. If the address bus is busy, the request will remain in this arbitration stage (B-ASel in Figure 2-4 and Figure 2-5) until the bus is available. The core drives the selected address onto the bus. The number of clocks required to access the bus is determined by the access time of the array that contains the data. The number of clocks required to return the data once the bus is accessed is also determined by the access time of the array.

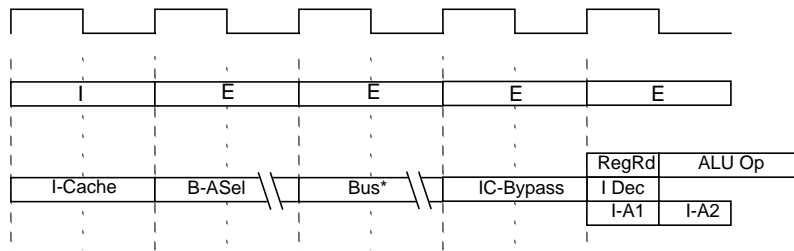
Once the data is returned to the core, the critical word is written to the instruction register for immediate use. The bypass mechanism allows the core to use the data once it becomes available, as opposed to having the entire cache line written to the instruction cache, then reading out the required word.

Figure 2-4 shows a timing diagram of an instruction cache miss for the 4Kc core. Figure 2-5 shows a timing diagram of an instruction cache miss for the 4Km and 4Kp cores.



* Contains all of the cycles that address and data are utilizing the bus.

Figure 2-4 Instruction Cache Miss Timing (4Kc core)



* Contains all of the cycles that address and data are utilizing the bus.

Figure 2-5 Instruction Cache Miss Timing (4Kp and 4Km cores)

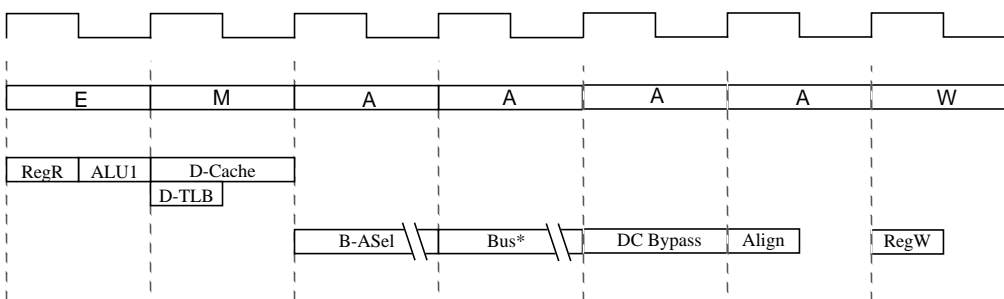
2.3 Data Cache Miss

When the data cache is indexed, the data address is translated to determine if the required data resides in the cache. A data cache miss occurs when the requested data address does not reside in the data cache.

When a data cache miss is detected in the M stage (D-TLB), the core transitions to the A stage. The pipeline stalls in the A stage until the miss is resolved (requested data is returned). The bus interface unit arbitrates between multiple requests and selects the correct address to be driven onto the bus (B-ASel in [Figure 2-6](#) and [Figure 2-7](#)). The core drives the selected address onto the bus. The number of clocks required to access the bus is determined by the access time of the array containing the data. The number of clocks required to return the data once the bus is accessed is also determined by the access time of the array.

Once the data is returned to the core, the critical word of data passes through the aligner before being forwarded to the execution unit and register file. The bypass mechanism allows the core to use the data once it becomes available, as opposed to having the entire cache line written to the data cache, then reading out the required word.

[Figure 2-6](#) shows a timing diagram of a data cache miss for the 4Kc core. [Figure 2-7](#) shows a timing diagram of a data cache miss for the 4Kp and 4Km cores.



* Contains all of the time that address and data are utilizing the bus.

Figure 2-6 Load/Store Cache Miss Timing (4Kc core)

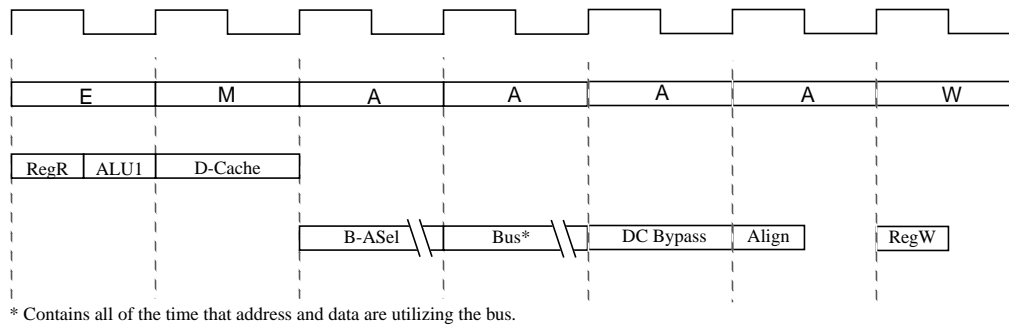


Figure 2-7 Load/Store Cache Miss Timing (4Kc and 4Kp cores)

2.4 Multiply/Divide Operations

All three cores implement the standard MIPS II™ multiply and divide instructions. Additionally, several new instructions were added for enhanced performance.

The targeted multiply instruction, MUL, specifies that multiply results be placed in the general purpose register file instead of the HI/LO register pair. By avoiding the explicit MFLO instruction, required when using the LO register, and by supporting multiple destination registers, the throughput of multiply-intensive operations is increased.

Four instructions, multiply-add (MADD), multiply-add-unsigned (MADDU), multiply-subtract (MSUB), and multiply-subtract-unsigned (MSUBU), are used to perform the multiply-accumulate and multiply-subtract operations. The MADD/MADDU instruction multiplies two numbers and then adds the product to the current contents of the HI and LO registers. Similarly, the MSUB/MSUBU instruction multiplies two operands and then subtracts the product from the HI and LO registers. The MADD/MADDU and MSUB/MSUBU operations are commonly used in DSP algorithms.

All multiply operations (except the MUL instruction) write to the HI/LO register pair. All integer operations write to the general purpose registers (GPR). Because MDU operations write to different registers than integer operations, following integer instructions can execute before the MDU operation has completed. The MFLO and MFHI instructions are used to move data from the HI/LO register pair to the GPR file. If a MFLO or MFHI instruction is issued before the MDU operation completes, it will stall to wait for the data.

2.5 MDU Pipeline (4Kc and 4Kc Cores)

The 4Kc and 4Kc processor cores contain an autonomous multiply/divide unit (MDU) with a separate pipeline for multiply and divide operations. This pipeline operates in parallel with the integer unit (IU) pipeline and does not stall when the IU pipeline stalls. This allows long-running MDU operations, such as a divide, to be partially masked by system stalls and/or other integer unit instructions.

The MDU consists of a 32x16 booth encoded multiplier, result/accumulation registers (HI and LO), a divide state machine, and all necessary multiplexers and control logic. The first number shown ('32' of 32x16) represents the *rs* operand. The second number ('16' of 32x16) represents the *rt* operand. The core only checks the latter (*rt*) operand value to determine how many times the operation must pass through the multiplier. The 16x16 and 32x16 operations pass through the multiplier once. A 32x32 operation passes through the multiplier twice.

The MDU supports execution of a 16x16 or 32x16 multiply operation every clock cycle; 32x32 multiply operations can be issued every other clock cycle. Appropriate interlocks are implemented to stall the issue of back-to-back 32x32 multiply operations. Multiply operand size is automatically determined by logic built into the MDU. Divide operations are implemented with a simple 1 bit per clock iterative algorithm with an early in detection of sign extension on the

dividend (*rs*). Any attempt to issue a subsequent MDU instruction while a divide is still active causes an IU pipeline stall until the divide operation is completed.

Table 2-1 lists the latencies (number of cycles until a result is available) for multiply and divide instructions. The latencies are listed in terms of pipeline clocks. In this table ‘latency’ refers to the number of cycles necessary for the first instruction to produce the result needed by the second instruction.

Table 2-1 4Kc and 4Km Core Instruction Latencies

Size of operand 1st Instruction ^[1]	Instruction Sequence		Latency clocks
	1st Instruction	2nd instruction	
16 bit	MULT/MULTU, MADD/MADDU, or MSUB/MSUBU	MADD/MADDU, MSUB/MSUBU, or MFHI/MFLO	1
32 bit	MULT/MULTU, MADD/MADDU, or MSUB/MSUBU	MADD/MADDU, MSUB/MSUBU, or MFHI/MFLO	2
16 bit	MUL	Integer operation ^[2]	2 ^[3]
32 bit	MUL	Integer operation ^[2]	2 ^[3]
8 bit	DIVU	MFHI/MFLO	9
16 bit	DIVU	MFHI/MFLO	17
24 bit	DIVU	MFHI/MFLO	25
32 bit	DIVU	MFHI/MFLO	33
8 bit	DIV	MFHI/MFLO	10 ^[4]
16 bit	DIV	MFHI/MFLO	18 ^[4]
24 bit	DIV	MFHI/MFLO	26 ^[4]
32 bit	DIV	MFHI/MFLO	34 ^[4]
any	MFHI/MFLO	Integer operation ^[2]	2
any	MTHI/MTLO	MADD/MADDU, or MSUB/MSUBU	1

Note: [1] For multiply operations this is the *rt* operand. For divide operations this is the *rs* operand.
Note: [2] Integer Operation refers to any integer instruction that uses the result of a previous MDU operation.
Note: [3] This does not include the 1 or 2 IU pipeline stalls (16 bit or 32 bit) that MUL operation causes irrespective of the following instruction. These stalls do not add to the latency of 2.
Note: [4] If both operands are positive the Sign Adjust stage is bypassed. Latency is then the same as for DIVU.

In Table 2-1 a latency of one means that the first and second instruction can be issued back to back in the code without the MDU causing any stalls in the IU pipeline. A latency of two means that if issued back to back, the IU pipeline will be stalled for one cycle. MUL operations are special because it needs to stall the IU pipeline in order to maintain its register file write slot. Consequently the MUL 16x16 or 32x16 operation will always force a one cycle stall of the IU pipeline, and the MUL 32x32 will force a two cycle stall. If the integer instruction immediately following the MUL operation uses its result, an additional stall is forced on the IU pipeline.

Table 2-2 lists the repeat rates (peak issue rate of cycles until the operation can be reissued) for multiply accumulate/subtract instructions. The repeat rates are listed in terms of pipeline clocks. In this table ‘repeat rate’ refers to the case where the first MDU instruction (in the table below) if back to back with the second instruction.

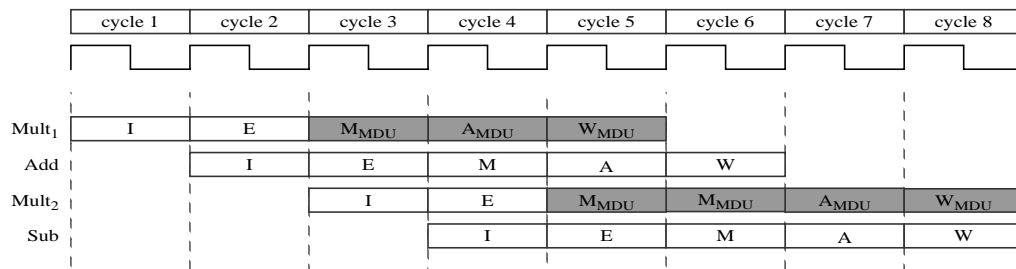
Table 2-2 4Kc and 4Km Core Instruction Repeat Rates

Operand Size of 1st Instruction	Instruction Sequence		Repeat Rate
	1st Instruction	2nd instruction	
16 bit	MULT/MULTU, MADD/MADDU, MSUB/MSUBU	MADD/MADDU, MSUB/MSUBU	1
32 bit	MULT/MULTU, MADD/MADDU, MSUB/MSUBU	MADD/MADDU, MSUB/MSUBU	2

Figure 2-8 below shows the pipeline flow for the following sequence:

1. 32x16 multiply (Mult₁)
2. Add
3. 32x32 multiply (Mult₂)
4. Sub

The 32x16 multiply operation requires one clock of each pipeline stage to complete. The 32x32 requires two clocks in the M_{MDU} pipe-stage. The MDU pipeline is shown as the shaded areas of Figure 2-8 and always starts a computation in the final phase of the E stage. As shown in the figure, the M_{MDU} pipe-stage of the MDU pipeline occurs in parallel with the M stage of the IU pipeline, the A_{MDU} stage occurs in parallel with the A stage, and the W_{MDU} stage occurs in parallel with the W stage. However in case the instruction in the MDU pipeline needs multiple passes through the same MDU stage, this parallel behavior will be skewed by one or more clocks. This is not a problem because results in the MDU pipeline are written to HI and LO registers, while the integer pipeline results are written to the register file.

**Figure 2-8 MDU Pipeline Behavior during Multiply Operations (4Kc and 4Km processors)**

The following is a cycle-by-cycle analysis of Figure 2-8.

1. The first 32x16 multiply operation (Mult₁) enters the I stage and is fetched from the instruction cache.
2. An Add operation enters the I stage. The Mult₁ operation enters the E stage. The integer and MDU pipelines share the I and E pipeline stages. At the end of the E stage in cycle 2, the multiply operation (Mult₁) is passed to the MDU pipeline.
3. In cycle 3 a 32x32 multiply operation (Mult₂) enters the I stage and is fetched from the instruction cache. Since the Add operation has not yet reached the M stage by cycle 3, there is no activity in the M stage of the integer pipeline at this time.
4. In cycle 4 the Sub instruction enters I stage. The second multiply operation (Mult₂) enters the E stage. And the Add operation enters M stage of the integer pipe. Since the Mult₁ multiply is a 32x16 operation, only one clock is required for the M_{MDU} stage, hence the Mult₁ operation passes to the A_{MDU} stage of the MDU pipeline.

5. In cycle 5 the Sub instruction enters E stage. The Mult₂ multiply enters the M_{MDU} stage. The Add operation enters the A stage of the integer pipeline. The Mult₁ operation completes and is written back in to the HI/LO register pair in the W_{MDU} stage.
6. Since a 32x32 multiply requires two passes through the multiplier, with each pass requiring one clock, the 32x32 Mult₂ remains in the M_{MDU} stage in cycle 6. The Sub instruction enters M stage in the integer pipeline. The Add operation completes and is written to the register file in the W stage of the integer pipeline.
7. The Mult₂ multiply operation progresses to the A_{MDU} stage, and the Sub instruction progress to A stage.
8. The Mult₂ operation completes and is written to the HI/LO registers pair the W_{MDU} stage, while the Sub instruction write to the register file in W stage.

2.5.1 32x16 Multiply (4Kc and 4Km Cores)

The 32x16 multiply operation begins in the last phase of the E stage, which is shared between the integer and MDU pipelines. In the latter phase of the E stage, the *rs* and *rt* operands arrive and the booth recoding function occurs at this time. The multiply calculation requires one clock and occurs in the M_{MDU} stage. In the A_{MDU} stage, the carry-propagate-add function occurs and the operation is completed. The result is written back to the HI/LO register pair in the first half of the W_{MDU} stage.

Figure 2-9 shows a diagram of a 32x16 multiply operation.

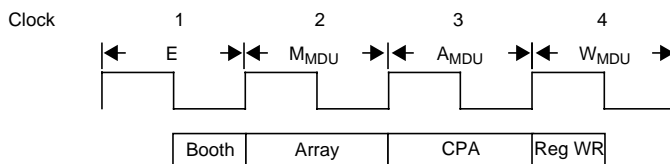


Figure 2-9 MDU Pipeline Flow During a 32x16 Multiply Operation

2.5.2 32x32 Multiply (4Kc and 4Km Cores)

The 32x32 multiply operation begins in the last phase of the E stage, which is shared between the integer and MDU pipelines. In the latter phase of the E stage, the *rs* and *rt* operands arrive and the booth recoding function occurs at this time. The multiply calculation requires two clocks and occurs in the M_{MDU} stage. In the A_{MDU} stage, the carry-propagate-add (CPA) function occurs and the operation is completed. The result is written back to the HI/LO register pair in the first half of the W_{MDU} stage.

Figure 2-10 shows a diagram of a 32x32 multiply operation.

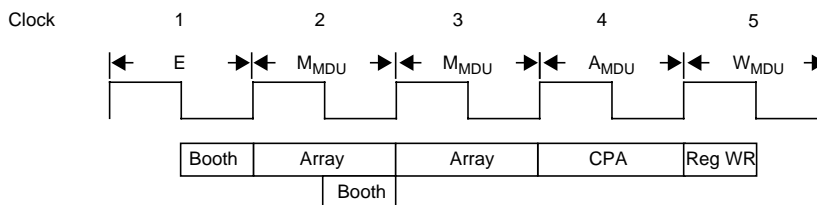


Figure 2-10 MDU Pipeline Flow During a 32x32 Multiply Operation

2.5.3 Divide (4Kc and 4Km Cores)

Divide operations are implemented using a simple non-restoring division algorithm. This algorithm works only for positive operands, hence the first cycle of the M_{MDU} stage is used to negate the *rs* operand (RS Adjust) if needed. Note

that this cycle is executed even if the adjustment is not necessary. At maximum the next 32 clocks (3-34) execute an iterative add/subtract function. In cycle 3 an early in detection is performed in parallel with the add/subtract. The adjusted *rs* operand is detected to be zero extended on the upper most 8, 16 or 24 bits. If this is the case the following 7, 15 or 23 cycles of the add/subtract iterations are skipped.

The remainder adjust (Rem Adjust) cycle is required if the remainder was negative. Note that this cycle is taken even if the remainder was positive. A sign adjust is performed on the quotient and/or remainder if necessary. Note that the sign adjust cycle is skipped if both operands are positive. In this case the Rem Adjust is moved to the A_{MDU} stage.

Figure 2-11, Figure 2-12, Figure 2-13 and Figure 2-14 show the latency for 8, 16, 24 and 32-bit divide operations, respectively. The repeat rate is either 11, 19, 27 or 35 cycles (one less if the *sign adjust* stage is skipped) as a second divide can be in the *RS Adjust* stage when the first divide is in the *Reg WR* stage.

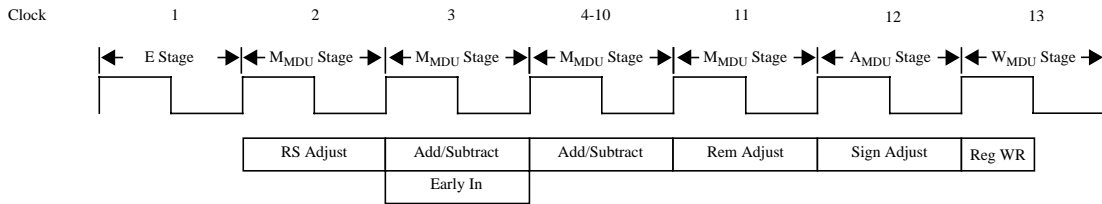


Figure 2-11 MDU Pipeline Flow During an 8-bit Divide (DIV) Operation

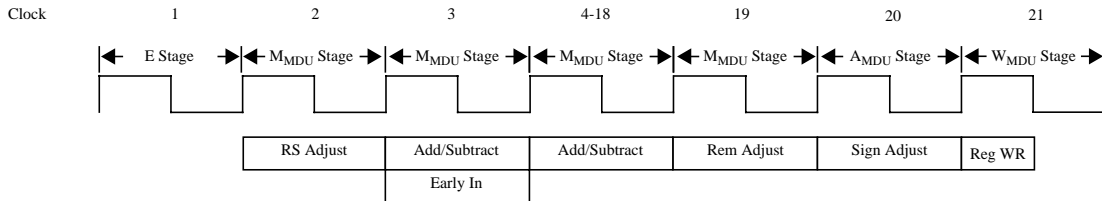


Figure 2-12 MDU Pipeline Flow During a 16-bit Divide (DIV) Operation

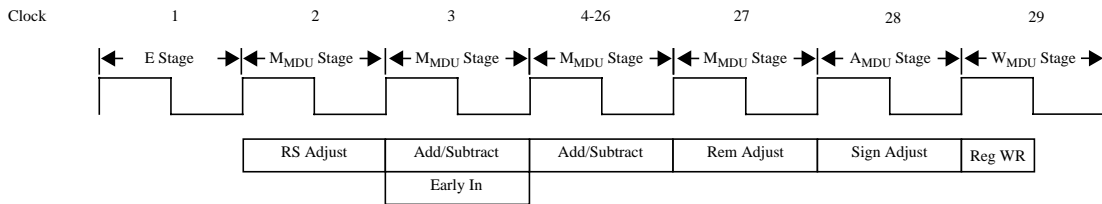


Figure 2-13 MDU Pipeline Flow During a 24-bit Divide (DIV) Operation

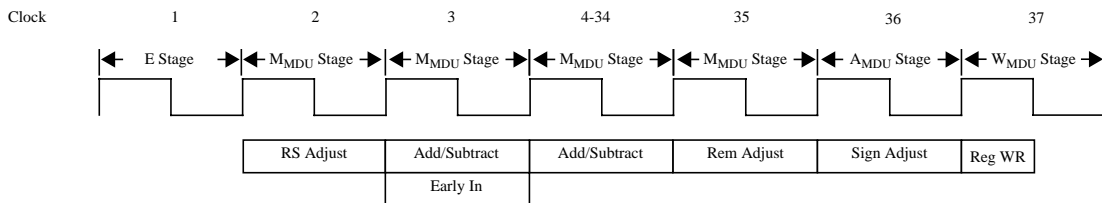


Figure 2-14 MDU Pipeline Flow During a 32-bit Divide (DIV) Operation

2.6 MDU Pipeline (4Kp Core Only)

The multiply/divide unit (MDU) is a separate autonomous block for multiply and divide operations. The MDU is not pipelined, but rather performed the computations iteratively in parallel with the integer unit (IU) pipeline. It does not stall when the IU pipeline stalls. This allows the long-running MDU operations to be partially masked by system stalls and/or other integer unit instructions.

The MDU consists of one 32-bit adder result-accumulate registers (HI and LO), a combined multiply/divide state machine and all multiplexers and control logic. A simple 1-bit per clock recursive algorithm is used for both multiply and divide operations. Using booth's algorithm all multiply operations complete in 32 clocks. Two extra clocks are needed for multiply-accumulate. The non-restoring algorithm used for divide operations will not work with negative numbers. Adjustment before and after are thus required depending on the sign of the operands. All divide operations complete in 33 to 35 clocks.

Table 2-3 lists the latencies (number of cycles until a result is available) for multiply and divide instructions. The latencies are listed in terms of pipeline clocks. In this table 'latency' refers to the number of cycles necessary for the second instruction to use the results of the first.

Table 2-3 4Kp Core Instruction Latencies

Operand Signs of 1st Instruction (Rs,Rt)	Instruction Sequence		Latency clocks
	1st Instruction	2nd instruction	
any, any	MULT/MULTU	MADD/MADDU, MSUB/MSUBU, or MFHI/MFLO	32
any, any	MADD/MADDU, MSUB/MSUBU	MADD/MADDU, MSUB/MSUBU, or MFHI/MFLO	34
any, any	MUL	Integer operation ^[1]	32
any, any	DIVU	MFHI/MFLO	33
pos, pos	DIV	MFHI/MFLO	33
any, neg	DIV	MFHI/MFLO	34
neg, pos	DIV	MFHI/MFLO	35
any, any	MFHI/MFLO	Integer operation ^[1]	2
any, any	MTHI/MTLO	MADD/MADDU, MSUB/MSUBU	1

Note: [1] Integer Operation refers to any integer instruction that uses the result of a previous MDU operation.

2.6.1 Multiply (4Kp Core)

Multiply operations implement a simple iterative multiply algorithm. Using Booth's approach, this algorithm works for both positive and negative operands. The operation uses 32 cycles in M_{MDU} stage to complete a multiplication. The register writeback to HI and LO are done in the A stage. For MUL operations, the register file writeback is done in the W_{MDU} stage.

Figure 2-15 shows the latency for a multiply operation. The repeat rate is 33 cycles as a second multiply can be in the first M_{MDU} stage when the first multiply is in A_{MDU} stage.

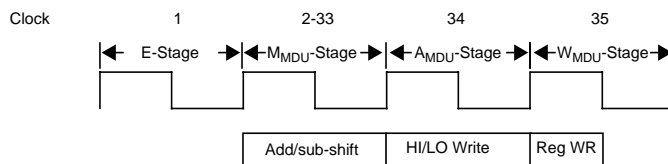


Figure 2-15 4Kp MDU Pipeline Flow During a Multiply Operation

2.6.2 Multiply Accumulate (4Kp Core)

Multiply-accumulate operations use the same multiply machine as used for multiply only. Two extra stages are needed to perform the addition/subtraction. The operations uses 34 cycles in M_{MDU} stage to complete the multiply-accumulate. The register writeback to HI and LO are done in the A stage.

Figure 2-16 shows the latency for a multiply-accumulate operation. The repeat rate is 35 cycles as a second multiply-accumulate can be in the E stage when the first multiply is in the last M_{MDU} stage.

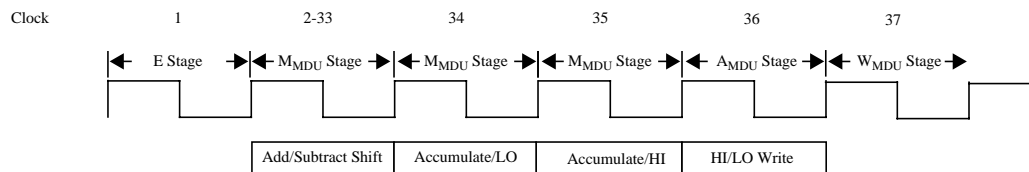


Figure 2-16 4Kp MDU Pipeline Flow During a Multiply Accumulate Operation

2.6.3 Divide (4Kp Core)

Divide operations also implement a simple non-restoring algorithm. This algorithm works only for positive operands, hence the first cycle of the M_{MDU} stage is used to negate the *rs* operand (RS Adjust) if needed. Note that this cycle is executed even if negation is not needed. The next 32 cycle (3-34) executes an interactive add/subtract-shift function.

Two sign adjust (Sign Adjust 1/2) cycles are used to change the sign of one or both the quotient and the remainder. Note that one or both of these cycles are skipped if they are not needed. The rule is, if both operands were positive or if this is an unsigned division; both of the sign adjust cycles are skipped. If the *rs* operand was negative, one of the sign adjust cycles is skipped. If only the *rs* operand was negative, none of the sign adjust cycles are skipped. Register writeback to HI and LO are done in the A stage.

Figure 2-17 shows the latency for a divide operation. The repeat rate is either 34, 35 or 36 cycles (depending on how many sign adjust cycles are skipped) as a second divide can be in the E stage when the first divide is in the last M_{MDU} stage.

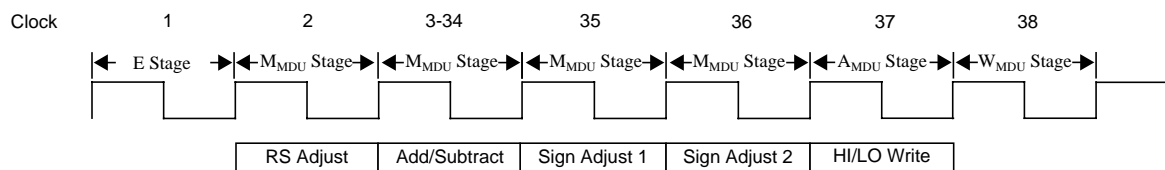


Figure 2-17 4Kp MDU Pipeline Flow During a Divide (DIV) Operation

2.7 Branch Delay

The pipeline has a branch delay of one cycle. The one-cycle branch delay is a result of the branch decision logic operating during the E pipeline stage. This allows the branch target address calculated in the previous stage to be used for the instruction access in the following E stage. The branch delay slot means that no bubbles are injected into the pipeline on branch instructions. The address calculation and branch condition check are both performed in the E stage. The target PC is used for the next instruction in the I stage (2nd instruction after the branch).

The pipeline begins the fetch of either the branch path or the fall-through path in the cycle following the delay slot. After the branch decision is made, the processor continues with the fetch of either the branch path (for a taken branch) or the fall-through path (for the non-taken branch).

The branch delay means that the instruction immediately following a branch is always executed, regardless of the branch direction. If no useful instruction can be placed after the branch, then the compiler or assembler must insert a NOP instruction in the delay slot.

Figure 2-18 illustrates the branch delay.

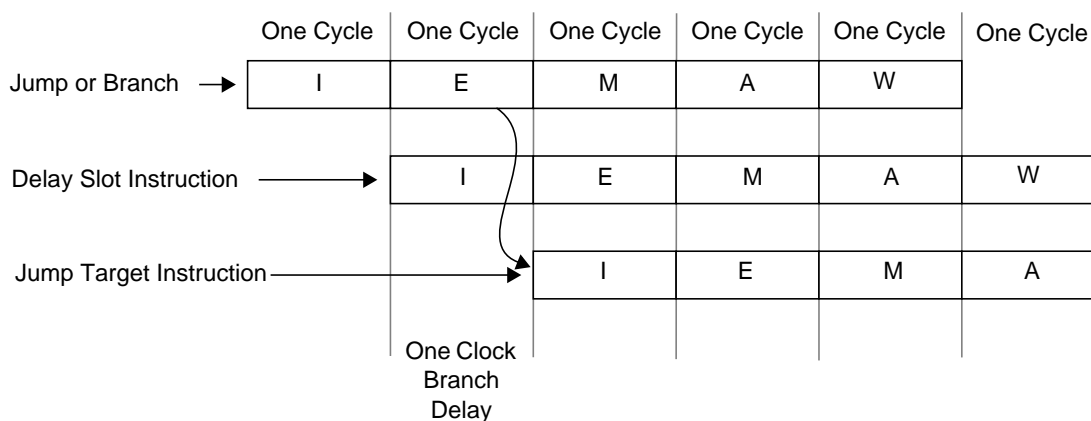


Figure 2-18 IU Pipeline Branch Delay

2.8 Data Bypassing

Most MIPS32 instructions use one or two register values as source operands for the execution. These operands are fetched from the register file in the first part of E stage. The ALU straddles the E to M boundary, and can present the result early in M stage. However, the result is not written in the register file until W stage. This leaves following instructions unable to use the result for 3 cycles. To overcome this problem, data bypassing is used.

Between the register file and the ALU, a data bypass multiplexer is placed on both operands (see Figure 2-19). This enables the 4K core to forward data from preceding instructions which have the target register of the first instruction as one of the source operands. An M to E bypass and an A to E bypass feed the bypass multiplexers. A W to E bypass is not needed, as the register file is capable of making an internal bypass of Rd write data directly to the Rs and Rt read ports.

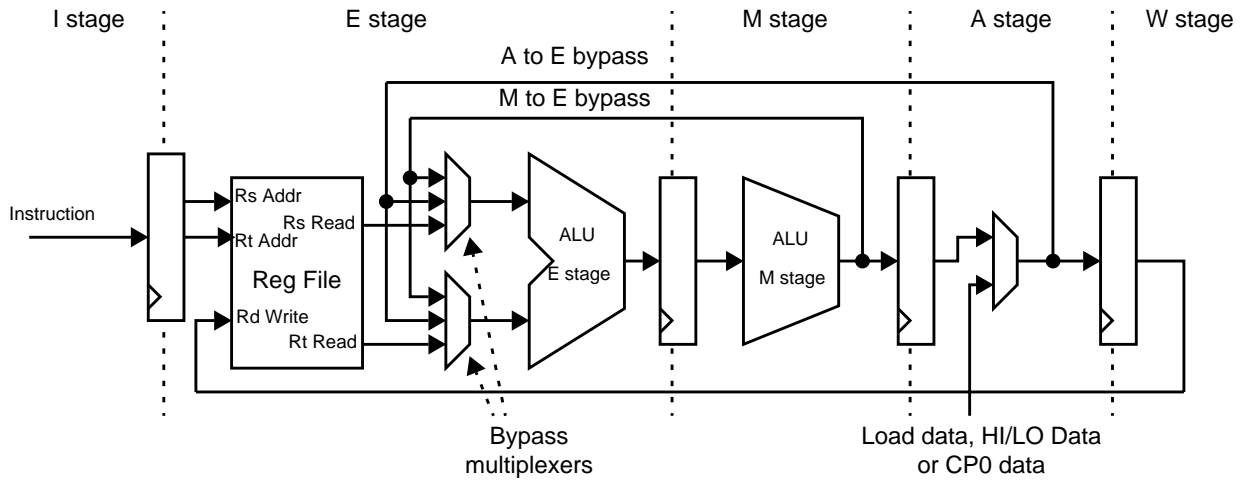


Figure 2-19 IU Pipeline Data Bypass

Figure 2-20 shows the Data bypass for an ADD_1 instruction followed by a SUB_2 and another ADD_3 instruction. The SUB_2 instruction uses the output from the ADD_1 instruction as one of the operands, and thus the M to E bypass is used. The following ADD_3 uses the result from both the first ADD_1 instruction and the SUB_2 instruction. Since the ADD_1 data is now in A stage, the A to E bypass is used, and the M to E bypass is used to bypass the SUB_2 data to the ADD_2 instruction.

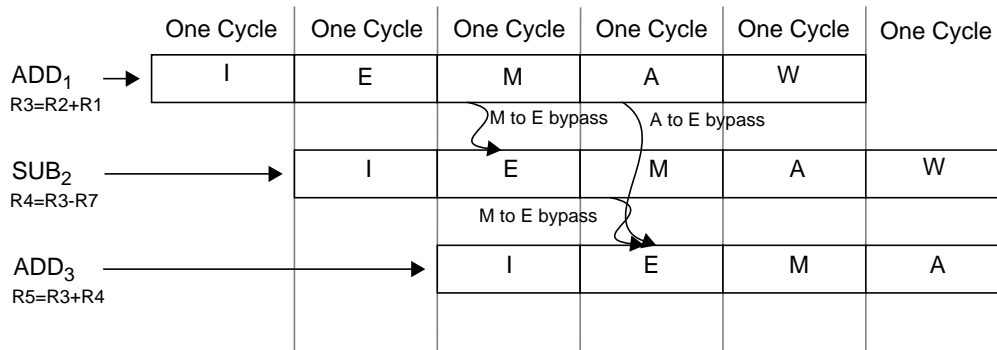


Figure 2-20 IU Pipeline M to E bypass

2.8.1 Load Delay

Load delay refers to the fact, that data fetched by a load instruction is not available in the integer pipeline until after the load aligner in A stage. All instructions need the source operands available in E stage. An instruction immediately following a load instruction will, if it has the same source register as was the target of the load, cause an instruction interlock pipeline slip in E stage (see Section 2.11, "Instruction Interlocks" on page 27). If not the first, but the second instruction after the load, use the data from the load, the A to E bypass (see Figure 2-19) exists to provide for stall free operation. An instruction flow of this shown in Figure 2-21.

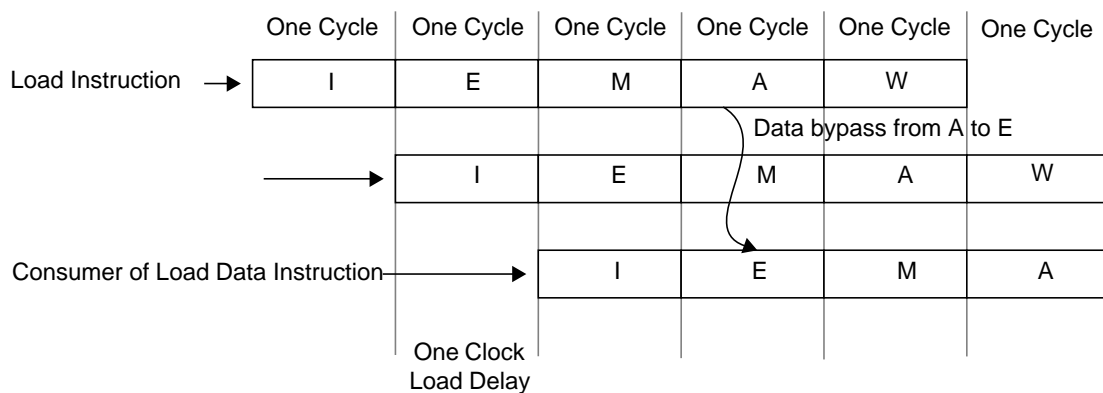


Figure 2-21 IU Pipeline A to E Data Bypass

2.8.2 Move from HI/LO and CP0 Delay

As indicated in Figure 2-19, not only load data, but also data from a move from the HI or LO register instruction (MFHI/MFLO) and a move from CP0 (MFC0) enter the IU-Pipeline in A stage. That is, data is not available in the integer pipeline until early in the A stage. The A to E bypass is available for this data. But as for Loads the instruction immediately after one of these instructions, can not use this data right away. If it does it will cause an instruction interlock slip in E stage (see Section 2.11, "Instruction Interlocks" on page 27). An interlock slip after an MFHI is illustrated in Figure 2-22.

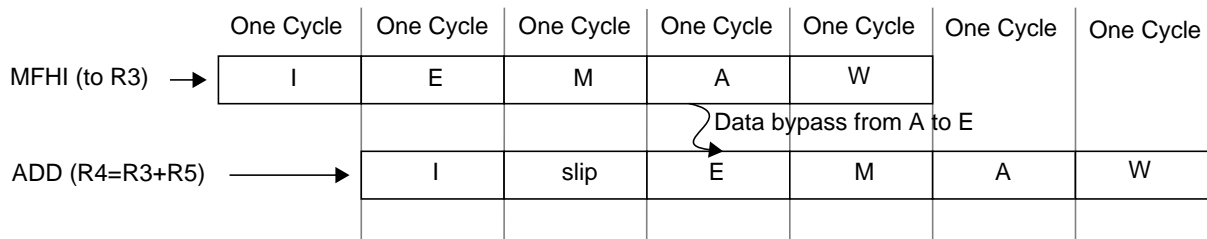


Figure 2-22 IU Pipeline Slip after MFHI

2.9 Interlock Handling

Smooth pipeline flow is interrupted when cache misses occur or when data dependencies are detected. Interruptions handled using hardware, such as cache misses, are referred to as *interlocks*. At each cycle, interlock conditions are checked for all active instructions.

Table 2-4 lists the types of pipeline interlocks for the 4K processor cores.

Table 2-4 Pipeline Interlocks

Interlock Type	Sources	Slip Stage
ITLB Miss (4Kc core)	Instruction TLB	I Stage
ICache Miss	Instruction cache	E Stage
Instruction	Producer-consumer hazards	E/M Stage
	Hardware Dependencies (MDU/TLB)	E Stage

Table 2-4 Pipeline Interlocks (Continued)

Interlock Type	Sources	Slip Stage
DTLB Miss (4Kc core)	Data TLB	M Stage
Data Cache Miss	Load that misses in data cache	W Stage
	Multi-cycle cache Op	
	Sync	
	Store when write thru buffer full	
	EJTAG breakpoint on store	
	VA match needing data value comparison	
	Store hitting in fill buffer	

In general, MIPS processors support two types of hardware interlocks:

- Stalls, which are resolved by halting the pipeline
- Slips, which allow one part of the pipeline to advance while another part of the pipeline is held static

In the 4K processor cores, all interlocks are handled as slips.

2.10 Slip Conditions

On every clock internal logic determines whether each pipe stage is allowed to advance. These slip conditions propagate backwards down the pipe. For example, if the M stage does not advance, neither will the E or I stages.

Slipped instructions are retried on subsequent cycles until they issue. The back end of the pipeline advances normally during slips in an attempt to resolve the conflict. NOPS are inserted into the bubble in the pipeline. [Figure 2-23](#) shows an instruction cache miss.

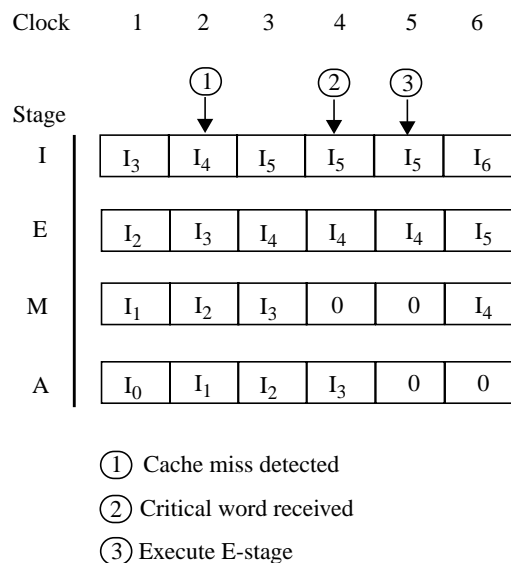
**Figure 2-23 Instruction Cache Miss Slip**

Figure 2-23 shows a diagram of a two-cycle slip. In the first clock cycle, the pipeline is full and the cache miss is detected. Instruction I0 is in the A stage, instruction I1 is in the M stage, instruction I2 is in the E stage, and instruction I3 is in the I stage. The cache miss occurs in clock 2 when the I4 instruction fetch is attempted. I4 advances to the E-stage and waits for the instruction to be fetched from main memory. In this example it takes two clocks (3 and 4) to fetch the I4 instruction from memory. Once the cache miss is resolved in clock 4 and the instruction is bypassed to the cache, the pipeline is restarted, causing the I4 instruction to finally execute its E-stage operations.

2.11 Instruction Interlocks

Most instructions can be issued at a rate of one per clock cycle. In some cases, in order to ensure a sequential programming model, the issue of an instruction is delayed to ensure that the results of a prior instruction will be available. Table 2-5 details the instruction interactions that delay the issuance of an instruction into the processor pipeline.

Table 2-5 Instruction Interlocks

Instruction Interlocks				
First Instruction		Second Instruction	Issue Delay (in Clock Cycles)	Slip Stage
LB/LBU/LH/LHU/LL/LW/LWL/LWR		Consumer of load data	1	E stage
MFC0		Consumer of destination register	1	E stage
MULT/MADD/MSUB (4Kc and 4Km cores)	16bx32b	MFLO/MFHI	0	M stage
	32b x 32b		1	M stage
MUL (4Kc and 4Km cores)	16b x 32b	Consumer of target data	2	E stage
	32b x 32b		3	E stage
MUL (4Kc and 4Km cores)	16b x 32b	Non-Consumer of target data	1	E stage
	32b x 32b		2	E stage
MFHI/MFLO		Consumer of target data	1	E stage
MULT/MADD/MSUB (4Kc and 4Km cores)	16b x 32b	MULT/MUL/MADD/MSUB MTHI/MTLO/DIV	0	E stage
	32b x 32b		1	E stage
DIV		MULT/MUL/MADD/MSUB /MTHI/MTLO/MFHI/MFL O/DIV	Until DIV completes	E stage
MULT/MUL/MADD/MSUB/MTHI/MTLO/ MFHI/MFLO/DIV (4Kp core)		MULT/MUL/MADD/MSUB /MTHI/MTLO/MFHI/MFL O/DIV	Until 1st MDU op completes	E stage
MUL (4Kp core)		Any Instruction	Until MUL completes	E stage
MFC0		Consumer of target data	1	E stage
TLBWR/TLBWI (4Kc core)		Load/Store/PREF/CACHE/ Cop0 op	2	E stage
TLBR (4Kc core)			1	E stage

2.12 Instruction Hazards

In general, the core ensures that instructions are executed following a fully sequential program model. Each instruction in the program sees the results of the previous instruction. There are some exceptions to this model. These exceptions are referred to as *instruction hazards*.

The following table shows the instruction hazards that exist in the core. The first and second instruction fields indicate the combination of instructions that do not ensure a sequential programming model. The Spacing field indicates the number of unrelated instructions (such as NOPs or SSNOPs) that should be placed between the first and second instructions of the hazard in order to ensure that the effects of the first instruction are seen by the second instruction. Entries in the table that are listed as 0 are traditional MIPS hazards which are not hazards on the 4K cores. (MT Compare to Timer Interrupt cleared is system dependent since Timer Interrupt is an output of the core that can be returned to the core on one of the SI_Int pins. This number is the minimum time due to going through the core's I/O registers. Typical implementations will not add any latency to this).

Table 2-6 Instruction Hazards

Instruction Hazards		
First Instruction	Second Instruction	Spacing (Instructions)
Watch Register Write	Instruction Fetch Matching Watch Register	2
	Load/Store Reference Matching Watch Register	0
TLBWI/TLBWR (4Kc core)	Instruction fetch affected by new page mapping	3
	Load/Store affected by new page mapping	0
	TLBP/TLBR	0
TLBR (4Kc core)	Move from Coprocessor Zero Register	0
Move to EntryHi (4Kc core)	TLBWR/TLBWI/TLBP	1
Move to EntryLo0 or EntryLo1 (4Kc core)	TLBWR/TLBWI	0
Move to EntryHi (4Kc core)	Load/Store affected by new ASID	1
Move to EntryHi (4Kc core)	Instruction fetch affected by new ASID	3
TLBP (4Kc core)	Move from Coprocessor Zero Register	0
Move to Index Register	TLBR/TLBWI (4Kc core)	1
Change to CU Bits in Status Register	Coprocessor Instruction	1
Move to EPC, ErrorPC or DEPC	ERET	1
Move to Status Register	ERET	0
Set of IP in Cause Register	Interrupted Instruction	3
Any Other Move to Coprocessor 0 Registers	Instruction Affected by Change	2
CACHE instruction operating on I\$	Instruction fetch seeing new cache state	3
LL	Move From LLAddr	1
Move to Compare	Instruction not seeing TimerInterrupt	4 ¹

1. This is the minimum value. Actual value is system-dependent since it is a function of the sequential logic between the SI_TimerInt output and the external logic which feeds SI_TimerInt back into one of the SI_Int inputs.

Memory Management

The MIPS32 4K processor cores contain a Memory Management Unit (MMU) that interfaces between the execution unit and the cache controller. The MIPS32 4Kc cores contain a Translation Lookaside Buffer (TLB), while the MIPS32 4Km and MIPS32 4Kp cores implement a simpler Fixed Mapping (FM) style MMU.

This chapter contains the following sections:

- [Section 3.1, "Introduction"](#)
- [Section 3.2, "Modes of Operation"](#)
- [Section 3.3, "Translation Lookaside Buffer \(4Kc Core Only\)"](#)
- [Section 3.4, "Virtual to Physical Address Translation \(4Kc Core\)"](#)
- [Section 3.5, "Fixed Mapping MMU \(4Km & 4Kp Cores\)"](#)
- [Section 3.6, "System Control Coprocessor"](#)

3.1 Introduction

The MMU in a 4K processor core will translate any virtual address to a physical address before a request is sent to the cache controllers for tag comparison or to the bus interface unit for an external memory reference. This translation is a very useful feature for operating systems when trying to manage physical memory to accommodate multiple tasks active in the same memory, possibly on the same virtual address but of course in different locations in physical memory (4Kc core only). Other features handled by the MMU are protection of memory areas and defining the cache protocol.

In the 4Kc processor core, the MMU is TLB based. The TLB consists of three address translation buffers: a 16 dual-entry fully associative Joint TLB (JTLB), a 3-entry instruction micro TLB (ITLB), and a 3-entry data micro TLB (DTLB). When an address is translated, the appropriate micro TLB (ITLB or DTLB) is accessed first. If the translation is not found in the micro TLB, the JTLB is accessed. If there is a miss in the JTLB, an exception is taken.

In the 4Km and 4Kp processor cores, the MMU is based on a simple algorithm to translate virtual addresses into physical addresses via a Fixed Mapping (FM) mechanism. These translations are different for various regions of the virtual address space (useg/kuseg, kseg0, kseg1, kseg2/3).

[Figure 3-1](#) shows how the memory management unit interacts with cache accesses in the 4Kc core, while [Figure 3-2](#) shows how the memory management unit interacts with caches accesses for the 4Km and 4Kp cores. In the 4Km and 4Kp cores, note that the FM MMU replaces the ITLB, DTLB and JTLB found in the 4Kc core.

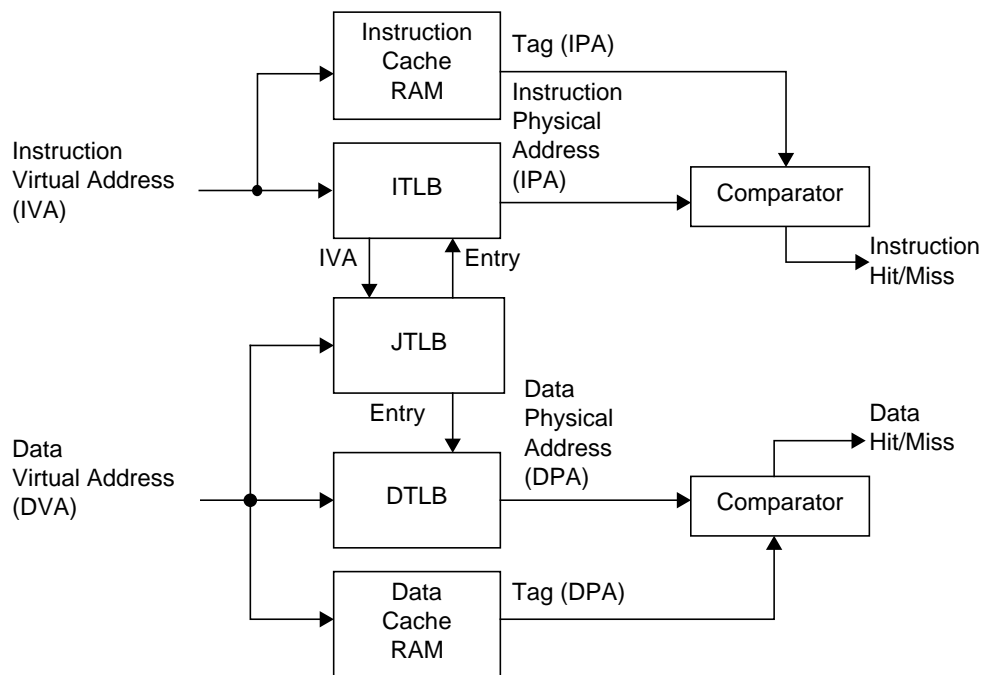


Figure 3-1 Address Translation During a Cache Access in the 4Kc Core

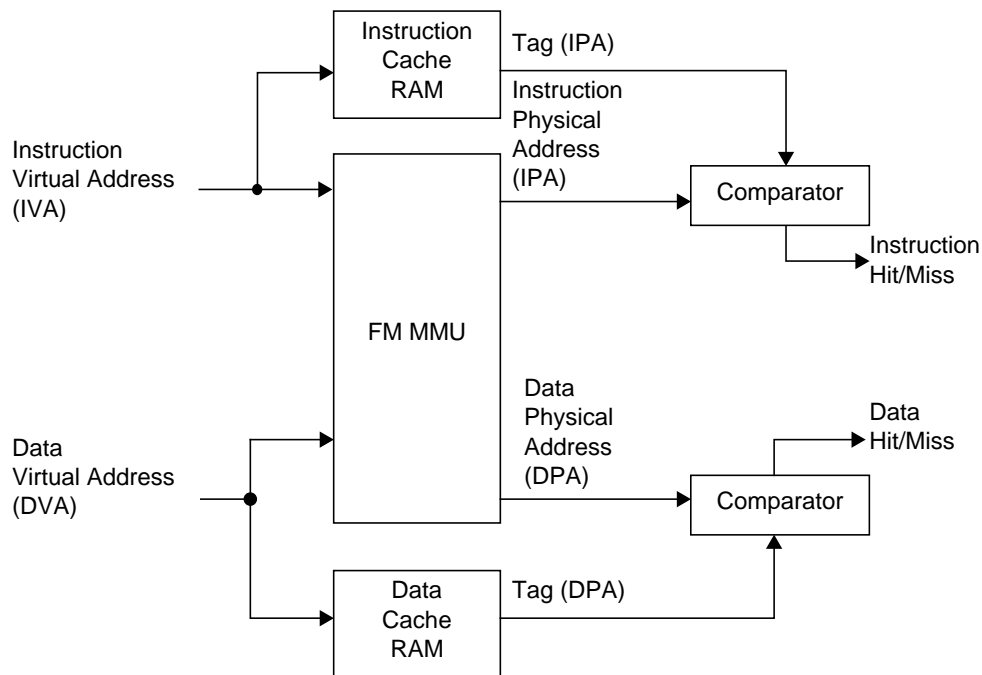


Figure 3-2 Address Translation During a Cache Access in the 4Km and 4Kp cores

3.2 Modes of Operation

All The 4K processor cores supports three modes of operation:

- User mode
- Kernel mode
- Debug mode

User mode is most often used for application programs. Kernel mode is typically used for handling exceptions and privileged operating system functions, including CP0 management and I/O device accesses. Debug mode is used for software debugging and most likely occurs within a software development tool.

The address translation performed by the MMU depends on the mode in which the processor is operating.

3.2.1 Virtual Memory Segments

The Virtual memory segments are different depending on the mode of operation. [Figure 3-3](#) shows the segmentation for the 4 GByte (2^{32} bytes) virtual memory space addressed by a 32-bit virtual address, for the three modes of operation.

The core enters Kernel mode both at reset and when an exception is recognized. While in Kernel mode, software has access to the entire address space, as well as all CP0 registers. User mode accesses are limited to a subset of the virtual address space (0x0000_0000 to 0x7FFF_FFFF) and can be inhibited from accessing CP0 functions. In User mode, virtual addresses 0x8000_0000 to 0xFFFF_FFFF are invalid and cause an exception if accessed.

Debug mode is entered on a debug exception. While in Debug mode, the debug software has access to the same address space and CP0 registers as for Kernel mode. In addition, while in Debug mode the core has access to the debug segment dseg. This area overlays part of the kernel segment kseg3. dseg access in Debug mode can be turned on or off, allowing full access to the entire kseg3 in Debug mode, if so desired.

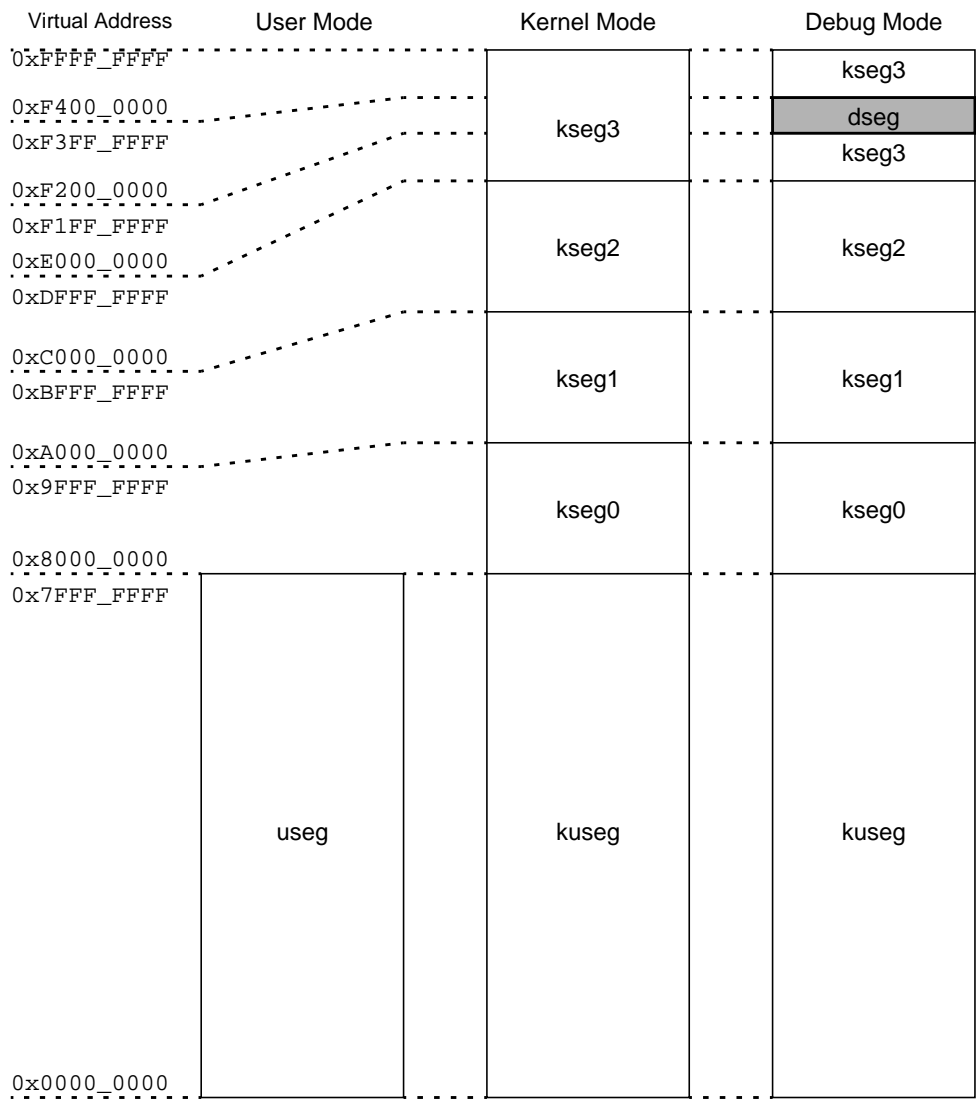


Figure 3-3 4K Processor Core Virtual Memory Map

Each of the segments shown in Figure 3-3 is either mapped or unmapped. The following two subsections explain the distinction. Then Section 3.2.2, "User Mode", Section 3.2.3, "Kernel Mode" and Section 3.2.4, "Debug Mode" specify which segments are actually mapped and unmapped.

3.2.1.1 Unmapped Segments

An unmapped segment does not use the TLB (4Kc core) or the FM (4Km and 4Kp cores) to translate from virtual to physical address. Especially after reset it is important to have unmapped memory segments, because the TLB is not yet programmed to perform the translation.

Unmapped segments have a fixed simple translation from virtual to physical address. This is much like the translations the FM provides for the 4Km and 4Kp cores, but we will still make the distinction.

Except for kseg0, unmapped segments are always uncached. The cacheability of kseg0 is set in the K0 field of the CP0 register *Config* (see Section 5.2.15, "Config Register (CP0 Register 16, Select 0)").

3.2.1.2 Mapped Segments

A mapped segment does use the TLB (4Kc core) or the FM (4Km and 4Kp cores) to translate from virtual to physical address.

For the 4Kc core, the translation of mapped segments is handled on a per-page basis. Included in this translation is information defining whether the page is cacheable or not, and the protection attributes that apply to the page.

For the 4Km and 4Kp cores, the mapped segments have a fixed translation from virtual to physical address. The cacheability of the segment is defined in the CP0 register Config, fields K23 and KU (see [Section 5.2.15, "Config Register \(CP0 Register 16, Select 0\)"](#)). Write protection of segments is not possible during FM translation.

3.2.2 User Mode

In user mode, a single 2 GByte (2^{31} bytes) uniform virtual address space called the user segment (useg) is available. [Figure 3-4](#) shows the location of user mode virtual address space.

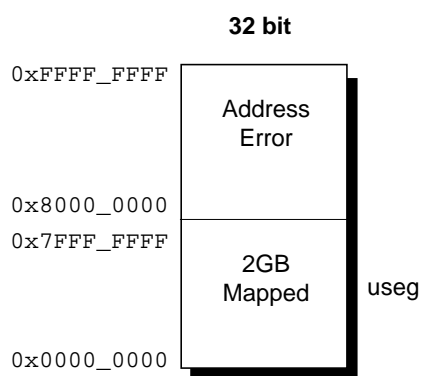


Figure 3-4 User Mode Virtual Address Space

The user segment starts at address 0x0000_0000 and ends at address 0x7FFF_FFFF. Accesses to all other addresses cause an address error exception.

The processor operates in User mode when the *Status* register contains the following bit values:

- UM = 1
- EXL = 0
- ERL = 0

In addition to the above values, the DM bit in the *Debug* register must be 0.

[Table 3-1](#) lists the characteristics of the useg User mode segments.

Table 3-1 User Mode Segments

Address Bit Value	Status Register			Segment Name	Address Range	Segment Size
	Bit Value					
	EXL	ERL	UM			
32-bit A(31) = 0	0	0	1	useg	0x0000_0000 --> 0x7FFF_FFFF	2 GByte (2 ³¹ bytes)

All valid user mode virtual addresses have their most-significant bit cleared to 0, indicating that user mode can only access the lower half of the virtual memory map. Any attempt to reference an address with the most-significant bit set while in user mode causes an address error exception.

The system maps all references to *useg* through the TLB (4Kc core) or FM (4Km and 4Kp cores). For the 4Kc core, the virtual address is extended with the contents of the 8-bit ASID field to form a unique virtual address before translation. Bit settings within the TLB entry for the page determine the cacheability of a reference. For the 4Km and 4Kp cores, the cacheability is set via the KU field of the CPO *Config* register.

3.2.3 Kernel Mode

The processor operates in Kernel mode when the DM bit in the *Debug* register is 0 and the *Status* register contains one or more of the following values:

- UM = 0
- ERL = 1
- EXL = 1

When a non-debug exception is detected, EXL or ERL will be set and the processor will enter Kernel mode. At the end of the exception handler routine, an Exception Return (ERET) instruction is generally executed. The ERET instruction jumps to the Exception PC, clears ERL, and clears EXL if ERL=0. This may return the processor to User mode.

Kernel mode virtual address space is divided into regions differentiated by the high-order bits of the virtual address, as shown in [Figure 3-5](#). Also, [Table 3-2](#) lists the characteristics of the Kernel mode segments.

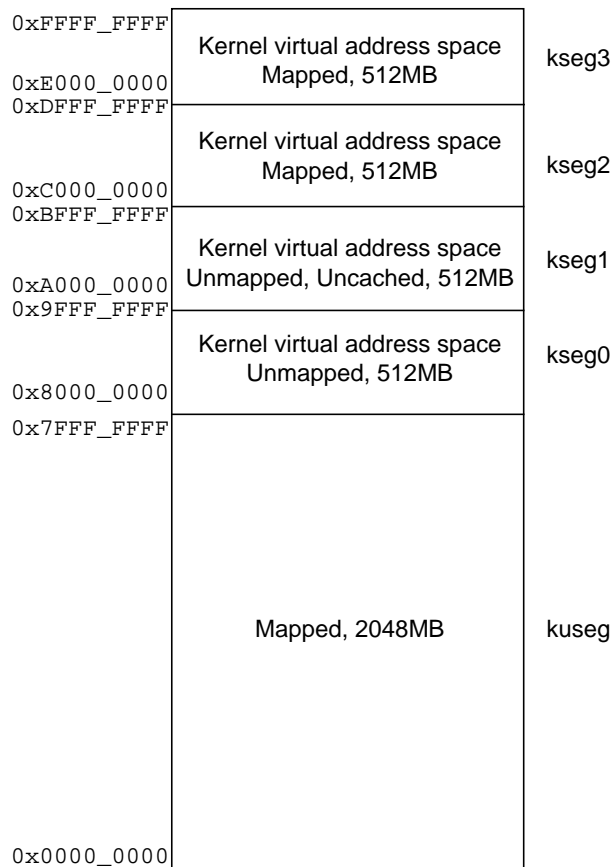


Figure 3-5 Kernel Mode Virtual Address Space

Table 3-2 Kernel Mode Segments

Address Bit Values	Status Register Is One of These Values			Segment Name	Address Range	Segment Size
	UM	EXL	ERL			
A(31) = 0	(UM = 0 or EXL = 1 or ERL = 1) and DM = 0			kuseg	0x0000_0000 through 0x7FFF_FFFF	2 GBytes (2 ³¹ bytes)
A(31:29) = 100 ₂				kseg0	0x8000_0000 through 0x9FFF_FFFF	512 MBytes (2 ²⁹ bytes)
A(31:29) = 101 ₂				kseg1	0xA000_0000 through 0xBFFF_FFFF	512 MBytes (2 ²⁹ bytes)
A(31:29) = 110 ₂				kseg2	0xC000_0000 through 0xDFFF_FFFF	512 MBytes (2 ²⁹ bytes)
A(31:29) = 111 ₂				kseg3	0xE000_0000 through 0xFFFF_FFFF	512 MBytes (2 ²⁹ bytes)

3.2.3.1 Kernel Mode, User Space (kuseg)

In Kernel mode, when the most-significant bit of the virtual address (A31) is cleared, the 32-bit kuseg virtual address space is selected and covers the full 2^{31} bytes (2 GByte) of the current user address space mapped to addresses 0x0000_0000 - 0x7FFF_FFFF. For the 4Kc core, the virtual address is extended with the contents of the 8-bit ASID field to form a unique virtual address.

When ERL = 1 in the *Status* register, the user address region becomes a 2^{31} -byte unmapped and uncached address space. While in this setting, the kuseg virtual address maps directly to the same physical address, and does not include the ASID field.

3.2.3.2 Kernel Mode, Kernel Space 0 (kseg0)

In Kernel mode, when the most-significant three bits of the virtual address are 100_2 , 32-bit kseg0 virtual address space is selected; it is the 2^{29} -byte (512-MByte) kernel virtual space located at addresses 0x8000_0000 - 0x9FFF_FFFF. References to kseg0 are unmapped; the physical address selected is defined by subtracting 0x8000_0000 from the virtual address. The K0 field of the *Config* register controls cacheability.

3.2.3.3 Kernel Mode, Kernel Space 1 (kseg1)

In Kernel mode, when the most-significant three bits of the 32-bit virtual address are 101_2 , 32-bit kseg1 virtual address space is selected. kseg1 is the 2^{29} -byte (512-MByte) kernel virtual space located at addresses 0xA000_0000 - 0xBFFF_FFFF. References to kseg1 are unmapped; the physical address selected is defined by subtracting 0xA000_0000 from the virtual address. Caches are disabled for accesses to these addresses, and physical memory (or memory-mapped I/O device registers) are accessed directly.

3.2.3.4 Kernel Mode, Kernel Space 2 (kseg2)

In Kernel mode, when UM = 0, ERL = 1, or EXL = 1 in the *Status* register, and DM = 0 in the *Debug* register, and the most-significant three bits of the 32-bit virtual address are 110_2 , 32-bit kseg2 virtual address space is selected. This 2^{29} -byte (512-MByte) kernel virtual space is located at physical addresses 0xC000_0000 - 0xDFFF_FFFF in the 4Km and 4Kp processor cores. This space is mapped through the TLB in the 4Kc processor core.

3.2.3.5 Kernel Mode, Kernel Space 3 (kseg3)

In Kernel mode, when the most-significant three bits of the 32-bit virtual address are 111_2 , the kseg3 virtual address space is selected. This 2^{29} -byte (512-MByte) kernel virtual space is located at physical addresses 0xE000_0000 - 0xFFFF_FFFF in the 4Km and 4Kp processor cores. This space is mapped through the TLB in the 4Kc processor core.

3.2.4 Debug Mode

Debug mode address space is identical to Kernel mode address space with respect to mapped and unmapped areas, except for kseg3. In kseg3, a debug segment dseg co-exists in the virtual address range 0xFF20_0000 to 0xFF3F_FFFF. The layout is shown in [Figure 3-6](#).

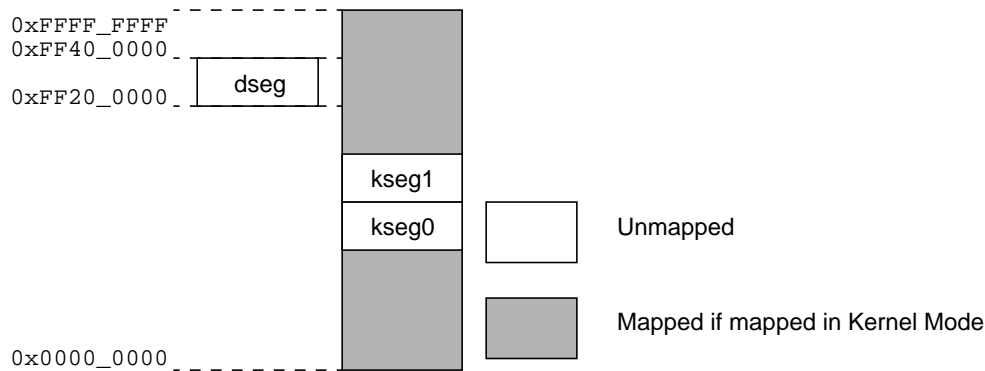


Figure 3-6 Debug Mode Virtual Address Space

The dseg is sub-divided into the dmseg segment at 0xFF20_0000 to 0xFF2F_FFFF which is used when the probe services the memory segment, and the drseg segment at 0xFF30_0000 to 0xFF3F_FFFF which is used when memory mapped debug registers are accessed. The subdivision and attributes for the segments are shown in [Table 3-3](#).

Accesses to memory that would normally cause an exception if tried from kernel mode cause the core to re-enter debug mode via a debug mode exception. This includes accesses usually causing a TLB exception (4Kc core only), with the result that such accesses are not handled by the usual memory management routines.

The unmapped kseg0 and kseg1 segments from kernel mode address space are available from debug mode, which allows the debug handler to be executed from uncached and unmapped memory.

Table 3-3 Physical Address and Cache Attributes for dseg, dmseg, and drseg Address Spaces

Segment Name	Sub-Segment Name	Virtual Address	Generates Physical Address	Cache Attribute
dseg	dmseg	0xFF20_0000 through 0xFF2F_FFFF	dmseg maps to addresses 0x0_0000 - 0xF_FFFF in EJTAG probe memory space.	Uncached
	drseg	0xFF30_0000 through 0xFF3F_FFFF	drseg maps to the breakpoint registers 0x0_0000 - 0xF_FFFF	

3.2.4.1 Conditions and Behavior for Access to drseg, EJTAG Registers

The behavior of CPU access to the drseg address range at 0xFF30_0000 to 0xFF3F_FFFF is determined as shown in [Table 3-4](#).

Table 3-4 CPU Access to drseg Address Range

Transaction	LSNM bit in Debug register	Access
Load / Store	1	Kernel mode address space (kseg3)
Fetch	Don't care	drseg, see comments below
Load / Store	0	

Debug software is expected to read the debug control register (DCR) to determine which other memory mapped registers exist in drseg. The value returned in response to a read of any unimplemented memory mapped register is unpredictable, and writes are ignored to any unimplemented register in the drseg. Refer to [Chapter 9, “EJTAG Debug Support,”](#) on page 121 for more information on the DCR.

The allowed access size is limited for the drseg. Only word size transactions are allowed. Operation of the processor is undefined for other transaction sizes.

3.2.4.2 Conditions and Behavior for Access to dmseg, EJTAG Memory

The behavior of CPU access to the dmseg address range at 0xFF20_0000 to 0xFF2F_FFFF is determined by [Table 3-5](#).

Table 3-5 CPU Access to dmseg Address Range

Transaction	ProbEn bit in DCR register	LSNM bit in Debug register	Access
Load / Store	Don't care	1	Kernel mode address space (kseg3)
Fetch	1	Don't care	dmseg
Load / Store	1	0	
Fetch	0	Don't care	See comments below
Load / Store	0	0	

The case with access to the dmseg when the ProbEn bit in the DCR register is 0 is not expected to happen. Debug software is expected to check the state of the ProbEn bit in DCR register before attempting to reference dmseg. If such a reference does happen, the reference hangs until it is satisfied by the probe. The probe can not assume that there will never be a reference to dmseg if the ProbEn bit in the DCR register is 0 because there is an inherent race between the debug software sampling the ProbEn bit as 1 and the probe clearing it to 0.

3.3 Translation Lookaside Buffer (4Kc Core Only)

The following subsections discuss the TLB memory management scheme used in the 4Kc processor core. The TLB consists of one joint and two micro address translation buffers:

- 16 dual-entry fully associative Joint TLB (JTLB)
- 3-entry fully associative Instruction micro TLB (ITLB)
- 3-entry fully associative Data micro TLB (DTLB)

3.3.1 Joint TLB

The 4Kc core implements a 16 dual-entry, fully associative Joint TLB that maps 32 virtual pages to their corresponding physical addresses. The JTLB is organized as 16 pairs of even and odd entries containing pages that range in size from 4-KBytes to 16-MBytes into the 4-GByte physical address space. The purpose of the TLB is to translate virtual addresses and their corresponding Address Space Identifier (ASID) into a physical memory address. The translation is performed by comparing the upper bits of the virtual address (along with the ASID bits) against each of the entries in the *tag* portion of the JTLB structure. Because this structure is used to translate both instruction and data virtual addresses, it is referred to as a “joint” TLB.

The JTLB is organized in page pairs to minimize its overall size. Each virtual *tag* entry corresponds to two physical data entries, an even page entry and an odd page entry. The highest order virtual address bit not participating in the tag

comparison is used to determine which of the two data entries is used. Since page size can vary on a page-pair basis, the determination of which address bits participate in the comparison and which bit is used to make the even-odd determination must be determined dynamically during the TLB lookup.

Figure 3-7 show the contents of one of the 16 dual-entries in the JTLB.

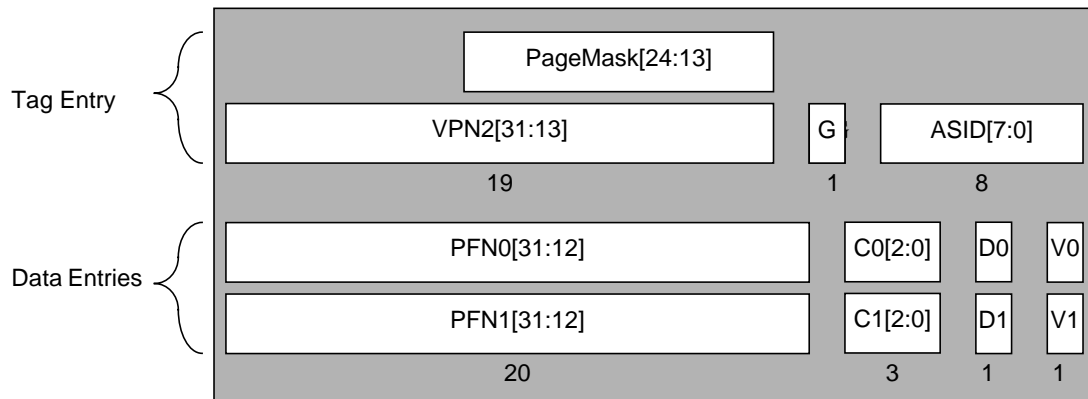


Figure 3-7 JTLB Entry (Tag and Data)

Table 3-6 and Table 3-7 explain each of the fields in a JTLB entry.

Table 3-6 TLB Tag Entry Fields

Field Name	Description																								
PageMask[24:13]	<p>Page Mask Value. The Page Mask defines the page size by masking the appropriate VPN2 bits from being involved in a comparison. It is also used to determine which address bit is used to make the even-odd page (PFN0-PFN1) determination. See the table below.</p> <table border="1"> <thead> <tr> <th>PageMask[11:0]</th> <th>Page Size</th> <th>Even/Odd Bank Select Bit</th> </tr> </thead> <tbody> <tr> <td>0000_0000_0000</td> <td>4KB</td> <td>VAddr[12]</td> </tr> <tr> <td>0000_0000_0011</td> <td>16KB</td> <td>VAddr[14]</td> </tr> <tr> <td>0000_0000_1111</td> <td>64KB</td> <td>VAddr[16]</td> </tr> <tr> <td>0000_0011_1111</td> <td>256KB</td> <td>VAddr[18]</td> </tr> <tr> <td>0000_1111_1111</td> <td>1MB</td> <td>VAddr[20]</td> </tr> <tr> <td>0011_1111_1111</td> <td>4MB</td> <td>VAddr[22]</td> </tr> <tr> <td>1111_1111_1111</td> <td>16MB</td> <td>VAddr[24]</td> </tr> </tbody> </table> <p>The PageMask column above show all the legal values for PageMask. Because each pair of bits can only have the same value, the physical entry in the JTLB will only save a compressed version of the PageMask using only 6 bits. This is however transparent to software, which will always work with a 12 bit field.</p>	PageMask[11:0]	Page Size	Even/Odd Bank Select Bit	0000_0000_0000	4KB	VAddr[12]	0000_0000_0011	16KB	VAddr[14]	0000_0000_1111	64KB	VAddr[16]	0000_0011_1111	256KB	VAddr[18]	0000_1111_1111	1MB	VAddr[20]	0011_1111_1111	4MB	VAddr[22]	1111_1111_1111	16MB	VAddr[24]
PageMask[11:0]	Page Size	Even/Odd Bank Select Bit																							
0000_0000_0000	4KB	VAddr[12]																							
0000_0000_0011	16KB	VAddr[14]																							
0000_0000_1111	64KB	VAddr[16]																							
0000_0011_1111	256KB	VAddr[18]																							
0000_1111_1111	1MB	VAddr[20]																							
0011_1111_1111	4MB	VAddr[22]																							
1111_1111_1111	16MB	VAddr[24]																							
VPN2[31:13]	Virtual Page Number divided by 2. This field contains the upper bits of the virtual page number. Because it represents a pair of TLB pages, it is divided by 2. Bits 31:25 are always included in the TLB lookup comparison. Bits 24:13 are included depending on the page size, defined by PageMask.																								
G	Global Bit. When set, indicates that this entry is global to all processes and/or threads and thus disables inclusion of the ASID in the comparison.																								
ASID[7:0]	Address Space Identifier. Identifies which process or thread this TLB entry is associated with.																								

Table 3-7 TLB Data Entry Fields

Field Name	Description																		
PFN0[31:12], PFN1[31:12]	Physical Frame Number. Defines the upper bits of the physical address. For page sizes larger than 4 KBytes, only a subset of these bits is actually used.																		
C0[2:0], C1[2:0]	Cacheability. Contains an encoded value of the cacheability attributes and determines whether the page should be placed in the cache or not. The field is encoded as follows: <table border="1" style="margin-left: auto; margin-right: auto;"> <thead> <tr> <th>C[2:0]</th> <th>Coherency Attribute</th> </tr> </thead> <tbody> <tr> <td>000</td> <td>Maps to entry 011b*</td> </tr> <tr> <td>001</td> <td>Maps to entry 011b*</td> </tr> <tr> <td>010</td> <td>Uncached</td> </tr> <tr> <td>011</td> <td>Cacheable, noncoherent, write-through, no write allocated</td> </tr> <tr> <td>100</td> <td>Maps to entry 011b*</td> </tr> <tr> <td>101</td> <td>Maps to entry 011b*</td> </tr> <tr> <td>110</td> <td>Maps to entry 011b*</td> </tr> <tr> <td>111</td> <td>Maps to entry 010b*</td> </tr> </tbody> </table> <p>Note: * These mappings are not used on the 4K processor cores but do have meaning in other MIPS</p>	C[2:0]	Coherency Attribute	000	Maps to entry 011b*	001	Maps to entry 011b*	010	Uncached	011	Cacheable, noncoherent, write-through, no write allocated	100	Maps to entry 011b*	101	Maps to entry 011b*	110	Maps to entry 011b*	111	Maps to entry 010b*
C[2:0]	Coherency Attribute																		
000	Maps to entry 011b*																		
001	Maps to entry 011b*																		
010	Uncached																		
011	Cacheable, noncoherent, write-through, no write allocated																		
100	Maps to entry 011b*																		
101	Maps to entry 011b*																		
110	Maps to entry 011b*																		
111	Maps to entry 010b*																		
D0, D1	“Dirty” or Write-enable Bit. Indicates that the page has been written, and/or is writable. If this bit is set, stores to the page are permitted. If the bit is cleared, stores to the page cause a TLB Modified exception.																		
V0, V1	Valid Bit. Indicates that the TLB entry and, thus, the virtual page mapping are valid. If this bit is set, accesses to the page are permitted. If the bit is cleared, accesses to the page cause a TLB Invalid exception.																		

In order to fill an entry in the JTLB, software executes a TLBWI or TLBWR instruction (See [Section 3.4.3, "TLB Instructions" on page 47](#)). Prior to invoking one of these instructions, several CP0 registers must be updated with the information to be written to a TLB entry.

- PageMask is set in the CP0 *PageMask* register.
- VPN2 and ASID are set in the CP0 *EntryHi* register.
- PFN0, C0, D0, V0 and G bit are set in the CP0 *EntryLo0* register.
- PFN1, C1, D1, V1 and G bit are set in the CP0 *EntryLo1* register.

Note that the global bit “G” is part of both *EntryLo0* and *EntryLo1*. The resulting “G” bit in the JTLB entry is the logical AND between the two fields in *EntryLo0* and *EntryLo1*. Please refer to [Chapter 5, “CP0 Registers,” on page 73](#) for further details.

The address space identifier (ASID) helps to reduce the frequency of TLB flushing on a context switch. The existence of the ASID allows multiple processes to exist in both the TLB and instruction caches. The ASID value is stored in the *EntryHi* register and is compared to the ASID value of each entry.

3.3.2 Instruction TLB

The ITLB is a small 3-entry, fully associative TLB dedicated to performing translations for the instruction stream. The ITLB only maps 4-Kbyte pages/sub-pages.

The ITLB is managed by hardware and is transparent to software. If a fetch address cannot be translated by the ITLB, the JTLB is accessed to attempt to translate it in the following clock cycle. If successful, the translation information is copied into the ITLB. The ITLB is then re-accessed and the address will be successfully translated. This results in an ITLB miss penalty of at least 2 cycles (if the JTLB is busy with other operations, it may take additional cycles).

3.3.3 Data TLB

The DTLB is a small 3-entry, fully associative TLB which provides a faster translation for Load/Store addresses than is possible with the JTLB. The DTLB only maps 4-Kbyte pages/sub-pages.

Like the ITLB, the DTLB is managed by hardware and is transparent to software. Unlike the ITLB, when translating Load/Store addresses, the JTLB is accessed in parallel with the DTLB. If there is a DTLB miss and a JTLB hit, the DTLB can be reloaded that cycle. The DTLB is then re-accessed and the translation will be successful. This parallel access reduces the DTLB miss penalty to 1 cycle.

3.4 Virtual to Physical Address Translation (4Kc Core)

Converting a virtual address to a physical address begins by comparing the virtual address from the processor with the virtual addresses in the TLB. There is a match when the virtual page number (VPN) of the address is the same as the VPN field of the entry, and either:

- The Global (G) bit of both the even and odd pages of the TLB entry are set, or
- The ASID field of the virtual address is the same as the ASID field of the TLB entry

This match is referred to as a TLB *hit*. If there is no match, a TLB *miss* exception is taken by the processor and software is allowed to refill the TLB from a page table of virtual/physical addresses in memory.

Figure 3-8 shows the logical translation of a virtual address into a physical address.

In this figure the virtual address is extended with an 8-bit address-space identifier (ASID), which reduces the frequency of TLB flushing during a context switch. This 8-bit ASID contains the number assigned to that process and is stored in the CP0 *EntryHi* register.

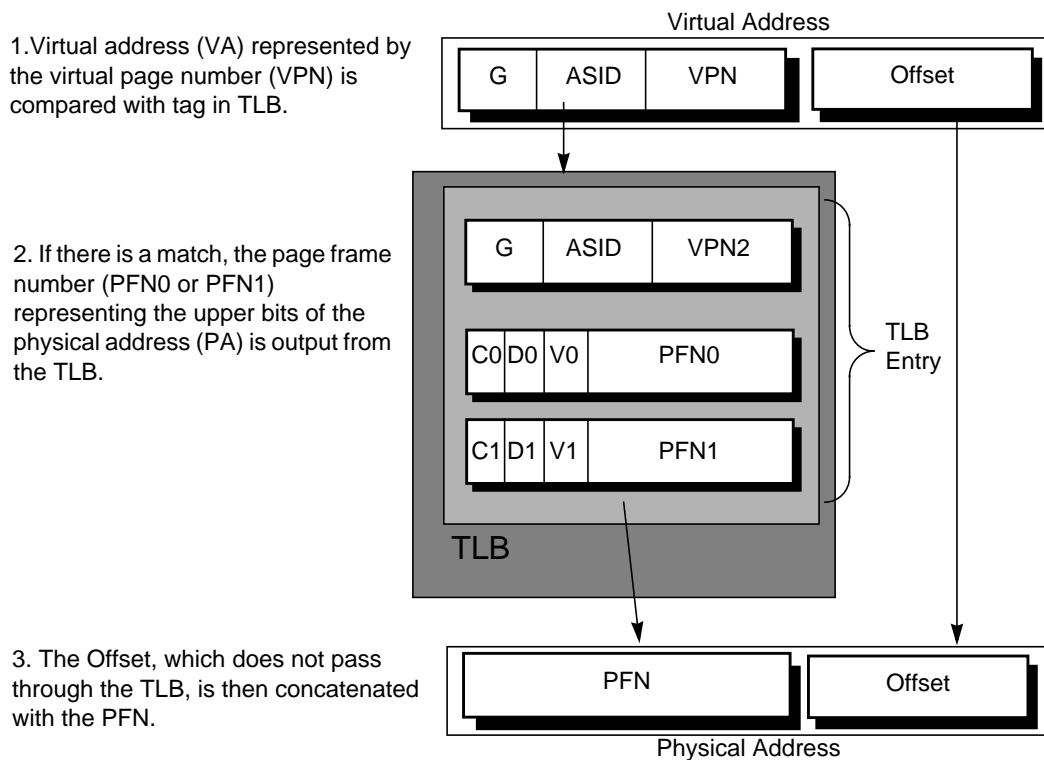


Figure 3-8 Overview of a Virtual-to-Physical Address Translation in the 4Kc Core

If there is a virtual address match in the TLB, the physical frame number (PFN) is output from the TLB and concatenated with the *Offset*, to form the physical address. The *Offset* represents an address within the page frame space. As shown in [Figure 3-8](#), the *Offset* does not pass through the TLB.

[Figure 3-9](#) shows a flow diagram of the 4Kc core address translation process. The top portion of the figure shows a virtual address for a 4-KByte page size. The width of the *Offset* is defined by the page size. The remaining 20 bits of the address represent the virtual page number (VPN), that index the 1M-entry page table.

The bottom portion of [Figure 3-9](#) shows the virtual address for a 16-MByte page size. The remaining 8 bits of the address represent the VPN, that index the 256-entry page table.

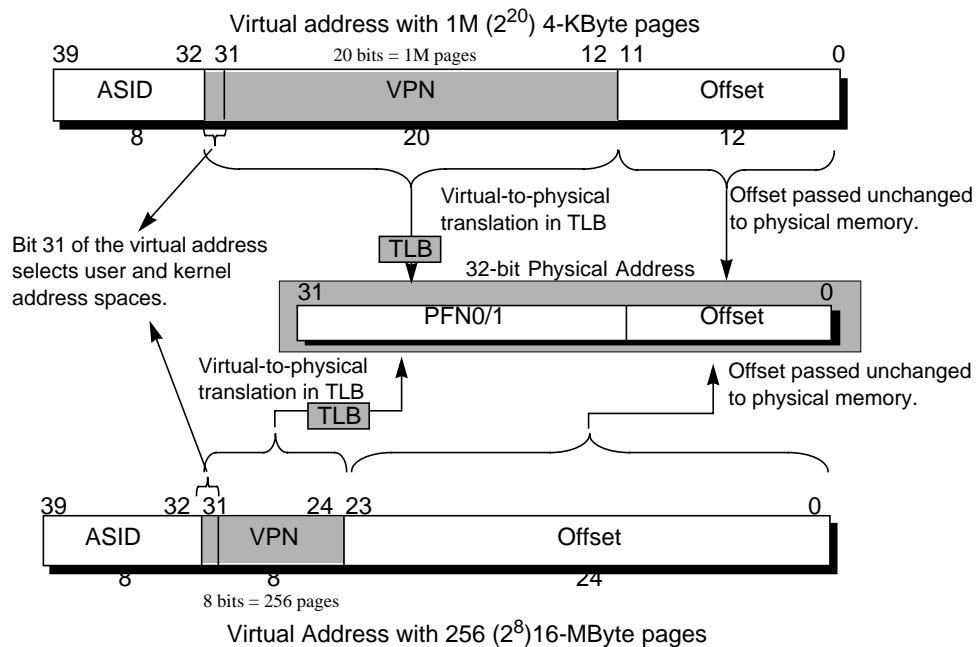


Figure 3-9 32-bit Virtual Address Translation

3.4.1 Hits, Misses, and Multiple Matches

Each JTLB entry contains a tag and two data fields. If a match is found, the upper bits of the virtual address are replaced with the page frame number (PFN) stored in the corresponding entry in the data array of the JTLB. The granularity of JTLB mappings is defined in terms of TLB pages. The 4Kc core JTLB supports pages of different sizes ranging from 4-KB to 16-MB in powers of 4. If a match is found, but the entry is invalid (i.e., the V bit in the data field is 0), a TLB Invalid exception is taken.

If no match occurs (TLB miss), an exception is taken and software refills the TLB from the page table resident in memory. [Figure 3-10](#) show the translation and exception flow of the TLB.

Software can write over a selected TLB entry or use a hardware mechanism to write into a random entry. The *Random* register selects which TLB entry to use on a TLBWR. This register decrements almost every cycle, wrapping to the maximum once it's value is equal to the *Wired* register. Thus, TLB entries below the *Wired* value cannot be replaced by a TLBWR allowing important mappings to be preserved. In order to reduce the possibility for a livelock situation, the *Random* register includes a 10b LFSR that introduces a pseudo-random perturbation into the decrementing.

The 4Kc core implements a TLB write-compare mechanism to ensure that multiple TLB matches do not occur. On the TLB write operation, the VPN2 field to be written is compared with all other entries in the TLB. If a match occurs, the 4Kc core takes a machine-check exception, sets the TS bit in the CP0 *Status* register, and aborts the write operation. For further details on exceptions, please refer to [Chapter 4, "Exceptions," on page 51](#). There is a hidden bit in each TLB entry that is cleared on a ColdReset. This bit is set once the TLB entry is written and is included in the match detection. Therefore, uninitialized TLB entries will not cause a TLB shutdown.

Note: This hidden initialization bit leaves the entire JTLB invalid after a ColdReset, eliminating the need to flush the TLB. But, to be compatible with other MIPS processors, it is recommended that software initialize all TLB entries with unique tag values and V bits cleared before the first access to a mapped location.

3.4.2 Page Sizes and Replacement Algorithm

To assist in controlling both the amount of mapped space and the replacement characteristics of various memory regions, the 4Kc core provides two mechanisms. First, the page size can be configured, on a per entry basis, to map page sizes ranging from 4 KByte to 16 MByte (in multiples of 4). The CP0 PageMask register is loaded with the desired page size, which is then entered into the TLB when a new entry is written. Thus, operating systems can provide special-purpose maps. For example, a typical frame buffer can be memory mapped with only one TLB entry.

The second mechanism controls the replacement algorithm when a TLB miss occurs. To select a TLB entry to be written with a new mapping, the 4Kc core provides a random replacement algorithm. However, the processor also provides a mechanism whereby a programmable number of mappings can be locked into the TLB via the CP0 Wired register, thus avoiding random replacement. Please refer to [Section 5.2.6, "Wired Register \(CP0 Register 6, Select 0\)"](#) on page 82 for further details.

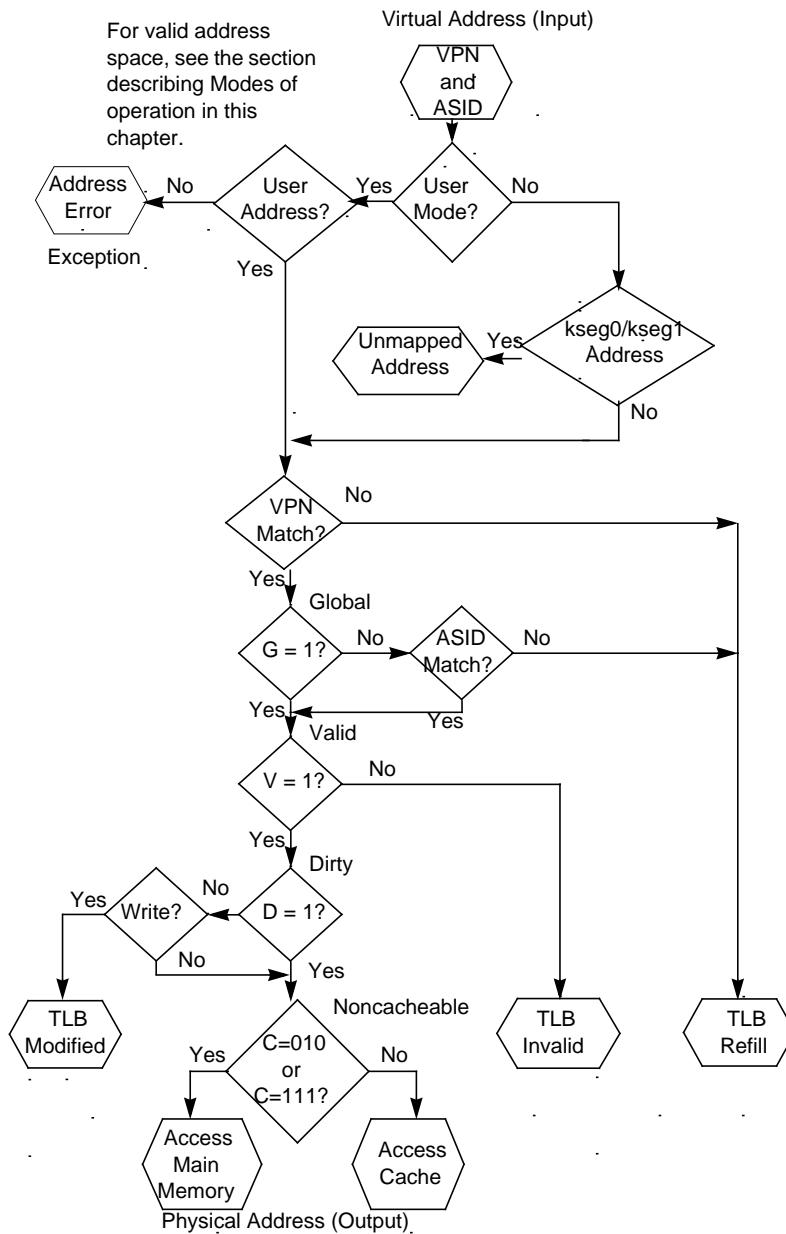


Figure 3-10 TLB Address Translation Flow in the 4Kc Processor Core

3.4.3 TLB Instructions

Table 3-8 lists the 4Kc core's TLB-related instructions. Refer to [Chapter 11, "MIPS32 4K Processor Core Instructions,"](#) on page 169 for more information on these instructions.

Table 3-8 TLB Instructions

Op Code	Description of Instruction
TLBP	Translation Lookaside Buffer Probe
TLBR	Translation Lookaside Buffer Read
TLBWI	Translation Lookaside Buffer Write Index
TLBWR	Translation Lookaside Buffer Write Random

3.5 Fixed Mapping MMU (4Km & 4Kp Cores)

The 4Km and 4Kp cores implement a simple Fixed Mapping (FM) memory management unit that is smaller than the 4Kc TLB and more easily synthesized. Like the 4Kc TLB, the FM performs virtual-to-physical address translation and provides attributes for the different memory segments. Those memory segments which are unmapped in the 4Kc TLB implementation (kseg0 and kseg1) are translated identically by the FM in the 4Km and 4Kp MMU.

The FM also determines the cacheability of each segment. These attributes are controlled via bits in the *Config* register. [Table 3-9](#) shows the encoding for the K23 (bits 30:28), KU (bits 27:25) and K0 (bits 2:0) of the *Config* register.

Table 3-9 Cache Coherency Attributes

Config Register Fields K23, KU, and K0	Cache Coherency Attribute
0, 1, 3, 4, 5, 6	Cacheable, noncoherent, write through, no write allocate
2, 7	Uncached

In the 4Km and 4Kp cores, no translation exceptions can be taken, although address errors are still possible.

Table 3-10 Cacheability of Segments with Block Address Translation

Segment	Virtual Address Range	Cacheability
useg/kuseg	0x0000_0000- 0x7FFF_FFFF	Controlled by the KU field (bits 27:25) of the <i>Config</i> register. Refer to Table 3-9 for the encoding.
kseg0	0x8000_0000- 0x9FFF_FFFF	Controlled by the K0 field (bits 2:0) of the <i>Config</i> register. See Table 3-9 for the encoding.
kseg1	0xA000_0000- 0xBFFF_FFFF	Always uncacheable
kseg2	0xC000_0000- 0xDFFF_FFFF	Controlled by the K23 field (bits 30:28) of the <i>Config</i> register. Refer to Table 3-9 for the encoding.

Table 3-10 Cacheability of Segments with Block Address Translation

Segment	Virtual Address Range	Cacheability
kseg3	0xE000_0000- 0xFFFF_FFFF	Controlled by K23 field (bits 30:28) of the <i>Config</i> register. Refer to Table 3-9 for the encoding.

The FM performs a simple translation to map from virtual addresses to physical addresses. This mapping is shown in [Figure 3-11](#). When ERL=1, useg and kuseg become unmapped and uncached. The ERL behavior is the same as if there was a JTLB. The ERL mapping is shown in [Figure 3-12](#).

The ERL bit is usually never asserted by software. It is asserted by hardware after a Reset, SoftReset or NMI. Please see [Section 4.6, "Exceptions" on page 56](#) for further information on exceptions.

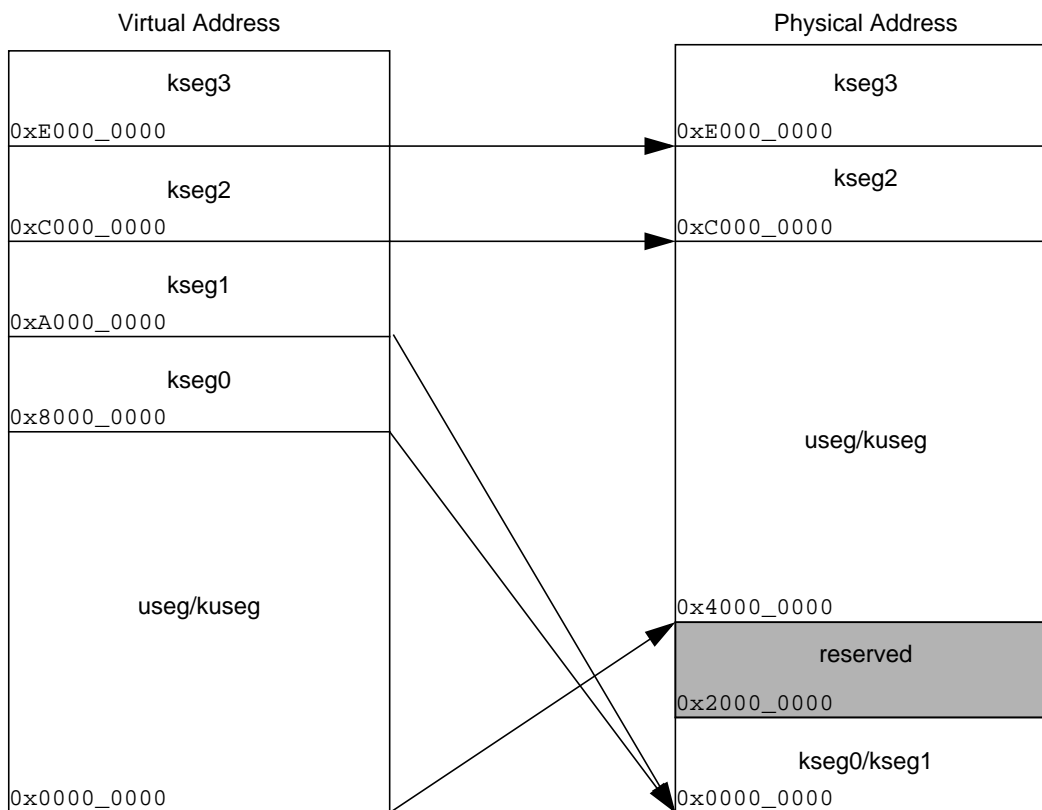


Figure 3-11 FM Memory Map (ERL=0) in the 4Km and 4Kp Processor Cores

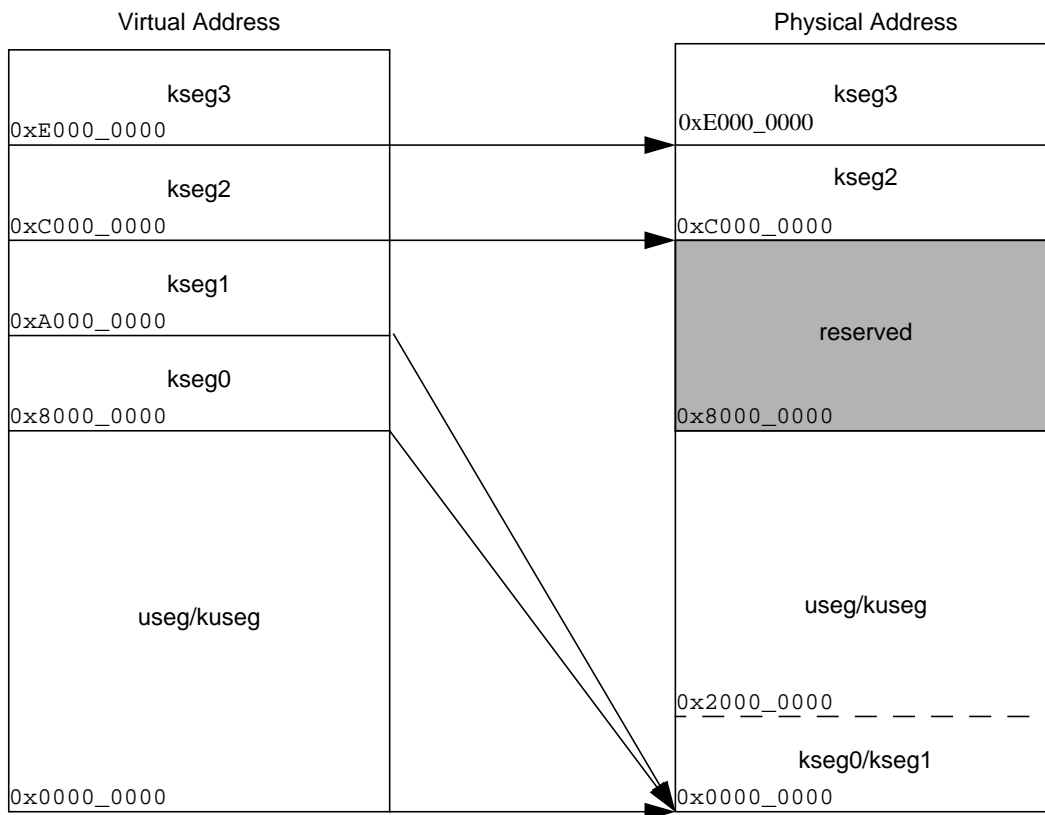


Figure 3-12 FM Memory Map (ERL=1) in the 4Km and 4Kp Processor Cores

3.6 System Control Coprocessor

The System Control Coprocessor (CP0) is implemented as an integral part of the 4K processor cores and supports memory management, address translation, exception handling, and other privileged operations. Certain CP0 registers are used to support memory management. Refer to [Chapter 5, “CP0 Registers,” on page 73](#) for more information on the CP0 register set.

Exceptions

All The MIPS32 4K processor cores receives exceptions from a number of sources, including translation lookaside buffer (TLB) misses (4Kc core only), arithmetic overflows, I/O interrupts, and system calls. When the CPU detects one of these exceptions, the normal sequence of instruction execution is suspended and the processor enters kernel mode.

In kernel mode, the core disables interrupts and forces execution of a software exception processor (called a handler) located at a fixed address. The handler saves the context of the processor, including the contents of the program counter, the current operating mode, and the status of the interrupts (enabled or disabled). This context is saved so it can be restored when the exception has been serviced.

When an exception occurs, the core loads the *Exception Program Counter (EPC)* register with a location where execution can restart after the exception has been serviced. The restart location in the *EPC* register is the address of the instruction that caused the exception or, if the instruction was executing in a branch delay slot, the address of the branch instruction immediately preceding the delay slot. To distinguish between the two, software must read the BD bit in the *CP0 Cause* register.

This chapter contains the following sections:

- [Section 4.1, "Exception Conditions"](#)
- [Section 4.2, "Exception Priority"](#)
- [Section 4.3, "Exception Vector Locations"](#)
- [Section 4.4, "General Exception Processing"](#)
- [Section 4.5, "Debug Exception Processing"](#)
- [Section 4.6, "Exceptions"](#)
- [Section 4.7, "Exception Handling and Servicing Flowcharts"](#)

4.1 Exception Conditions

When an exception condition occurs, the relevant instruction and all those that follow it in the pipeline are cancelled. Accordingly, any stall conditions and any later exception conditions that may have referenced this instruction are inhibited; there is no benefit in servicing stalls for a cancelled instruction.

When an exception condition is detected on an instruction fetch, the core aborts that instruction and all instructions that follow. When this instruction reaches the W stage, the exception flag causes it to write various *CP0* registers with the exception state, change the current program counter (PC) to the appropriate exception vector address, and clear the exception bits of earlier pipeline stages.

This implementation allows all preceding instructions to complete execution and prevents all subsequent instructions from completing. Thus, the value in the *EPC* (*ErrorEPC* for errors or *DEPC* for debug exceptions) is sufficient to restart execution. It also ensures that exceptions are taken in the order of execution; an instruction taking an exception may itself be killed by an instruction further down the pipeline that takes an exception in a later cycle.

4.2 Exception Priority

Table 4-1 lists all possible exceptions and the relative priority of each, highest to lowest. Several of these exceptions can happen simultaneously, in that event the exception with the highest priority is the one taken.

Table 4-1 Priority of Exceptions

Exception	Description
Reset	Assertion of SI_ColdReset signal.
Soft Reset	Assertion of SI_Reset signal.
DSS	EJTAG Debug Single Step.
DINT	EJTAG Debug Interrupt. Caused by the assertion of the external EJ_DINT input, or by setting the EhtagBrk bit in the ECR register.
NMI	Asserting edge of SI_NMI signal.
Machine Check	TLB write that conflicts with an existing entry (4Kc core).
Interrupt	Assertion of unmasked HW or SW interrupt signal.
Deferred Watch	Deferred Watch (unmasked by K DM->!(K DM) transition).
DIB	EJTAG debug hardware instruction break matched.
WATCH	A reference to an address in one of the watch registers (fetch).
AdEL	Fetch address alignment error. User mode fetch reference to kernel address.
TLBL	Fetch TLB miss (4Kc core). Fetch TLB hit to page with V=0 (4Kc core).
IBE	Instruction fetch bus error.
DBp	EJTAG Breakpoint (execution of SDBBP instruction).
Sys	Execution of SYSCALL instruction.
Bp	Execution of BREAK instruction.
CpU	Execution of a coprocessor instruction for a coprocessor that is not enabled.
RI	Execution of a Reserved Instruction.
Ov	Execution of an arithmetic instruction that overflowed.
Tr	Execution of a trap (when trap condition is true).
DDBL / DDBS	EJTAG Data Address Break (address only) or EJTAG Data Value Break on Store (address and value).
WATCH	A reference to an address in one of the watch registers (data).
AdEL	Load address alignment error. User mode load reference to kernel address.
AdES	Store address alignment error. User mode store to kernel address.

Table 4-1 Priority of Exceptions (Continued)

Exception	Description
TLBL	Load TLB miss (4Kc core). Load TLB hit to page with V=0 (4Kc core).
TLBS	Store TLB miss (4Kc core). Store TLB hit to page with V=0 (4Kc core).
TLB Mod	Store to TLB page with D=0 (4Kc core).
DBE	Load or store bus error.
DDBL	EJTAG data hardware breakpoint matched in load data compare.

4.3 Exception Vector Locations

The Reset, Soft Reset, and NMI exceptions are always vectored to location 0xBFC0_0000. Debug exceptions are vectored to location 0xBFC0_0480 or to location 0xFF20_0200 if the ProbTrap bit is 0 or 1, respectively, in the *EJTAG Control register* (ECR). Addresses for all other exceptions are a combination of a vector offset and a base address. [Table 4-2](#) gives the base address as a function of the exception and whether the BEV bit is set in the *Status* register. [Table 4-3](#) gives the offsets from the base address as a function of the exception. [Table 4-4](#) combines these two tables into one that contains all possible vector addresses as a function of the state that can affect the vector selection.

Table 4-2 Exception Vector Base Addresses

Exception	<i>Status</i> _{BEV}	
	0	1
Reset, Soft Reset, NMI	0xBFC0_0000	
Debug (with ProbTrap = 0 in the <i>ECR</i>)	0xBFC0_0480	
Debug (with ProbTrap = 1 in the <i>ECR</i>)	0xFF20_0200 (in dmseg handled by probe, and not system memory)	
Other	0x8000_0000	0xBFC0_0200

Table 4-3 Exception Vector Offsets

Exception	Vector Offset
TLB refill, EXL = 0 (4Kc core)	0x000
Reset, Soft Reset, NMI	0x000 (uses reset base address)
General Exception	0x180
Interrupt, $Cause_{IV} = 1$	0x200

Table 4-4 Exception Vectors

Exception	BEV	EXL	IV	EJTAG ProbTrap	Vector
Reset, Soft Reset, NMI	x	x	x	x	0xBFC0_0000
Debug	x	x	x	0	0xBFC0_0480
Debug	x	x	x	1	0xFF20_0200 (in dmseg)
TLB Refill (4Kc core)	0	0	x	x	0x8000_0000
TLB Refill (4Kc core)	0	1	x	x	0x8000_0180
TLB Refill (4Kc core)	1	0	x	x	0xBFC0_0200
TLB Refill (4Kc core)	1	1	x	x	0xBFC0_0380
Interrupt	0	0	0	x	0x8000_0180
Interrupt	0	0	1	x	0x8000_0200
Interrupt	1	0	0	x	0xBFC0_0380
Interrupt	1	0	1	x	0xBFC0_0400
All others	0	x	x	x	0x8000_0180
All others	1	x	x	x	0xBFC0_0380

Note: 'x' denotes don't care

4.4 General Exception Processing

With the exception of Reset, Soft Reset, NMI, and Debug exceptions, which have their own special processing as described below, exceptions have the same basic processing flow:

- If the EXL bit in the *Status* register is cleared, the *EPC* register is loaded with the PC at which execution will be restarted and the BD bit is set appropriately in the *Cause* register. If the instruction is not in the delay slot of a branch, the BD bit in *Cause* will be cleared and the value loaded into the *EPC* register is the current PC. If the instruction is in the delay slot of a branch, the BD bit in *Cause* is set and *EPC* is loaded with PC-4. If the EXL bit in the *Status* register is set, the *EPC* register is not loaded and the BD bit is not changed in the *Cause* register.
- The CE and ExcCode fields of the *Cause* registers are loaded with the values appropriate to the exception. The CE field is loaded, but not defined, for any exception type other than a coprocessor unusable exception.
- The EXL bit is set in the *Status* register.

- The processor is started at the exception vector.

The value loaded into *EPC* represents the restart address for the exception and need not be modified by exception handler software in the normal case. Software need not look at the BD bit in the *Cause* register unless it wishes to identify the address of the instruction that actually caused the exception.

Note that individual exception types may load additional information into other registers. This is noted in the description of each exception type below.

Operation:

```

if Status_EXL = 0 then
  if InstructionInBranchDelaySlot then
    EPC <- PC - 4
    Cause_BD <- 1
  else
    EPC <- PC
    Cause_BD <- 0
  endif
  if ExceptionType = TLBRefill then
    vectorOffset <- 0x000
  elseif (ExceptionType = Interrupt) and
    (Cause_IV = 1) then
    vectorOffset <- 0x200
  else
    vectorOffset <- 0x180
  endif
else
  vectorOffset <- 0x180
endif
Cause_CE <- FaultingCoprocesorNumber
Cause_ExcCode <- ExceptionType
Status_EXL <- 1
if Status_BEV = 1 then
  PC <- 0xBFC0_0200 + vectorOffset
else
  PC <- 0x8000_0000 + vectorOffset
endif

```

4.5 Debug Exception Processing

All debug exceptions have the same basic processing flow:

- The *DEPC* register is loaded with the program counter (PC) value at which execution will be restarted and the DBD bit is set appropriately in the *Debug* register. The value loaded into the *DEPC* register is the current PC if the instruction is not in the delay slot of a branch, or the PC-4 of the branch if the instruction is in the delay slot of a branch.
- The DSS, DBp, DDBL, DDBS, DIB and DINT bits (D* bits at [5:0]) in the *Debug* register are updated appropriately depending on the debug exception type.
- Halt and Doze bits in the *Debug* register are updated appropriately.
- DM bit in the *Debug* register is set to 1.
- The processor is started at the debug exception vector.

The value loaded into *DEPC* represents the restart address for the debug exception and need not be modified by the debug exception handler software in the usual case. Debug software need not look at the *DBD* bit in the *Debug* register unless it wishes to identify the address of the instruction that actually caused the debug exception.

A unique debug exception is indicated through the *DSS*, *DBp*, *DDBL*, *DDBS*, *DIB* and *DINT* bits (*D** bits at [5:0]) in the *Debug* register.

No other CP0 registers or fields are changed due to the debug exception, thus no additional state is saved.

Operation:

```

if InstructionInBranchDelaySlot then
    DEPC <- PC-4
    DebugDBD <- 1
else
    DEPC <- PC
    DebugDBD <- 0
endif
DebugD* bits at at [5:0] <- DebugExceptionType
DebugHalt <- HaltStatusAtDebugException
DebugDoze <- DozeStatusAtDebugException
DebugDM <- 1
if EJTAGControlRegisterProbTrap = 1 then
    PC <- 0xFF20_0200
else
    PC <- 0xBFC0_0480
endif

```

The same debug exception vector location is used for all debug exceptions. The location is determined by the *ProbTrap* bit in the EJTAG Control register (ECR), as shown in [Table 4-5](#).

Table 4-5 Debug Exception Vector Addresses

ProbTrap bit in ECR Register	Debug Exception Vector Address
0	0xBFC0_0480
1	0xFF20_0200 in dmseg

4.6 Exceptions

The following subsections describe each of the exceptions listed in the same sequence as shown in [Table 4-1](#).

4.6.1 Reset Exception

A reset exception occurs when the *SI_ColdReset* signal is asserted to the processor. This exception is not maskable. When a Reset exception occurs, the processor performs a full reset initialization, including aborting state machines, establishing critical state, and generally placing the processor in a state in which it can execute instructions from uncached, unmapped address space. On a Reset exception, the state of the processor is not defined, with the following exceptions:

- The *Random* register is initialized to the number of TLB entries - 1 (4Kc core).
- The *Wired* register is initialized to zero (4Kc core).
- The *Config* register is initialized with its boot state.

- The RP, BEV, TS, SR, NMI, and ERL fields of the *Status* register are initialized to a specified state.
- The I, R, and W fields of the *WatchLo* register are initialized to 0.
- The *ErrorEPC* register is loaded with PC-4 if the state of the processor indicates that it was executing an instruction in the delay slot of a branch. Otherwise, the *ErrorEPC* register is loaded with PC. Note that this value may or may not be predictable.
- PC is loaded with 0xBFC0_0000.

Cause Register ExcCode Value:

None

Additional State Saved:

None

Entry Vector Used:

Reset (0xBFC0_0000)

Operation:

```

Random <- TLBEntries - 1
Wired <- 0
Config <- ConfigurationState
StatusRP <- 0
StatusBEV <- 1
StatusTS <- 0
StatusSR <- 0
StatusNMI <- 0
StatusERL <- 1
WatchLoI <- 0
WatchLoR <- 0
WatchLoW <- 0
if InstructionInBranchDelaySlot then
    ErrorEPC <- PC - 4
else
    ErrorEPC <- PC
endif
PC <- 0xBFC0_0000

```

4.6.2 Soft Reset Exception

A soft reset exception occurs when the *SI_Reset* signal is asserted to the processor. This exception is not maskable. When a soft reset exception occurs, the processor performs a subset of the full reset initialization. Although a soft reset exception does not necessarily change the state of the processor, it may be forced to do so in order to place the processor in a state in which it can execute instructions from uncached, unmapped address space. Since bus, cache, or other operations may be interrupted, portions of the cache, memory, or other processor state may be inconsistent. In addition to any hardware initialization required, the following state is established on a soft reset exception:

- The BEV, TS, SR, NMI, and ERL fields of the *Status* register are initialized to a specified state.
- The *ErrorEPC* register is loaded with PC-4 if the state of the processor indicates that it was executing an instruction in the delay slot of a branch. Otherwise, the *ErrorEPC* register is loaded with PC. Note that this value may or may not be predictable.
- PC is loaded with 0xBFC0_0000.

Cause Register ExcCode Value:

None

Additional State Saved:

None

Entry Vector Used:

Reset (0xBFC0_0000)

Operation:

```

Status_BEV <- 1
Status_TS <- 0
Status_SR <- 1
Status_NMI <- 0
Status_ERL <- 1
if InstructionInBranchDelaySlot then
    ErrorEPC <- PC - 4
else
    ErrorEPC <- PC
endif
PC <- 0xBFC0_0000

```

4.6.3 Debug Single Step Exception

A debug single step exception occurs after the CPU has executed one/two instructions in non-debug mode, when returning to non-debug mode after debug mode. One instruction is allowed to execute when returning to a non jump/branch instruction, otherwise two instructions are allowed to execute since the jump/branch and the instruction in the delay slot are executed as one step. Debug single step exceptions are enabled by the SSt bit in the Debug register, and are always disabled for the first one/two instructions after a DERET.

The DEPC register points to the instruction on which the debug single step exception occurred, which is also the next instruction to single step or execute when returning from debug mode. So the DEPC will not point to the instruction which has just been single stepped, but rather the following instruction. The DBD bit in the Debug register is never set for a debug single step exception, since the jump/branch and the instruction in the delay slot is executed in one step.

Exceptions occurring on the instruction(s) executed with debug single step exception enabled are taken even though debug single step was enabled. For a normal exception (other than reset), a debug single step exception is then taken on the first instruction in the normal exception handler. Debug exceptions are unaffected by single step mode, e.g. returning to a SDBBP instruction with debug single step exceptions enabled causes a debug software breakpoint exception, and the DEPC will point to the SDBBP instruction. However, returning to an instruction (not jump/branch) just before the SDBBP instruction, causes a debug single step exception with the DEPC pointing to the SDBBP instruction.

To ensure proper functionality of single step, the debug single step exception has priority over all other exceptions, except reset and soft reset.

Debug Register Debug Status Bit Set

DSS

Additional State Saved

None

Entry Vector Used

Debug exception vector

4.6.4 Debug Interrupt Exception

A debug interrupt exception is either caused by the `EjtagBrk` bit in the *EJTAG Control register* (controlled through the TAP), or caused by the debug interrupt request signal to the CPU.

The debug interrupt exception is an asynchronous debug exception which is taken as soon as possible, but with no specific relation to the executed instructions. The *DEPC* register is set to the instruction where execution should continue after the debug handler is through. The *DBD* bit is set based on whether the interrupted instruction was executing in the delay slot of a branch.

Debug Register Debug Status Bit Set

DINT

Additional State Saved

None

Entry Vector Used

Debug exception vector

4.6.5 Non-Maskable Interrupt (NMI) Exception

A non-maskable interrupt exception occurs when the *SI_NMI* signal is asserted to the processor. *SI_NMI* is an edge sensitive signal - only one NMI exception will be taken each time it is asserted. An NMI exception occurs only at instruction boundaries, so it does not cause any reset or other hardware initialization. The state of the cache, memory, and other processor states are consistent and all registers are preserved, with the following exceptions:

- The *BEV*, *TS*, *SR*, *NMI*, and *ERL* fields of the *Status* register are initialized to a specified state.
- The *ErrorEPC* register is loaded with *PC-4* if the state of the processor indicates that it was executing an instruction in the delay slot of a branch. Otherwise, the *ErrorEPC* register is loaded with *PC*.
- *PC* is loaded with `0xBFC0_0000`.

Cause Register ExcCode Value:

None

Additional State Saved:

None

Entry Vector Used:

Reset (`0xBFC0_0000`)

Operation:

```
Status_BEV <- 1
Status_TS <- 0
Status_SR <- 0
Status_NMI <- 1
Status_ERL <- 1
if InstructionInBranchDelaySlot then
    ErrorEPC <- PC - 4
else
    ErrorEPC <- PC
endif
PC <- 0xBFC0_0000
```

4.6.6 Machine Check Exception (4Kc core)

A machine check exception occurs when the processor detects an internal inconsistency. The following condition causes a machine check exception;

- The detection of multiple matching entries in the TLB in a TLB-based MMU. The core detects this condition on a TLB write and prevents the write from being completed. The TS bit in the *Status* register is set to indicate this condition. This bit is only a status flag and does not affect the operation of the device. Software clears this bit at the appropriate time. This condition is resolved by flushing the conflicting TLB entries. The TLB write can then be completed.

Cause Register ExcCode Value:

MCheck

Additional State Saved:

None

Entry Vector Used:

General exception vector (offset 0x180)

4.6.7 Interrupt Exception

The interrupt exception occurs when one or more of the eight interrupt requests is enabled by the *Status* register and the interrupt input is asserted. The delay from assertion of an unmasked interrupt to fetch of the first instructions at the exception vector is a minimum of 5 clock cycles. More may be needed if a committed instruction has to complete before the exception can be taken. A SYNC instruction which has already started flushing the cache and write buffers must wait until this is completed before the interrupt exception can be taken.

Register ExcCode Value:

Int

Additional State Saved:

Table 4-6 Register States an Interrupt Exception

Register State	Value
<i>Cause_IP</i>	indicates the interrupts that are pending.

Entry Vector Used:

General exception vector (offset 0x180) if the IV bit in the *Cause* register is 0;
interrupt vector (offset 0x200) if the IV bit in the *Cause* register is 1.

4.6.8 Debug Instruction Break Exception

A debug instruction break exception occurs when an instruction hardware breakpoint matches an executed instruction. The *DEPC* register and DBD bit in the *Debug* register indicates the instruction that caused the instruction hardware breakpoint to match. This exception can only occur if instruction hardware breakpoints are implemented.

Debug Register Debug Status Bit Set:

DIB

Additional State Saved:

None

Entry Vector Used:

Debug exception vector

4.6.9 Watch Exception — Instruction Fetch or Data Access

The Watch facility provides a software debugging vehicle by initiating a watch exception when an instruction or data reference matches the address information stored in the *WatchHi* and *WatchLo* registers. A Watch exception is taken immediately if the EXL and ERL bits of the *Status* register are both zero and the DM bit of the *Debug* is also zero. If any of those bits is a one at the time that a watch exception would normally be taken, the WP bit in the *Cause* register is set, and the exception is deferred until both all three bits are zero. Software may use the WP bit in the *Cause* register to determine if the *EPC* register points at the instruction that caused the watch exception, or if the exception actually occurred while in kernel mode.

The Watch exception can occur on either an instruction fetch or a data access. Watch exceptions that occur on an instruction fetch have a higher priority than watch exceptions that occur on a data access.

Register ExcCode Value:

WATCH

Additional State Saved:**Table 4-7 Register States on a Watch Exception**

Register State	Value
Cause _{WP}	Indicates that the watch exception was deferred until after Status _{EXL} , Status _{ERL} , and Debug _{DM} were zero. This bit directly causes a watch exception, so software must clear this bit as part of the exception handler to prevent a watch exception loop at the end of the current handler execution.

Entry Vector Used:

General exception vector (offset 0x180)

4.6.10 Address Error Exception — Instruction Fetch/Data Access

An address error exception occurs on an instruction or data access when an attempt is made to execute one of the following:

- Fetch an instruction, load a word, or store a word that is not aligned on a word boundary
- Load or store a halfword that is not aligned on a halfword boundary
- Reference the kernel address space from user mode

Note that in the case of an instruction fetch that is not aligned on a word boundary, PC is updated before the condition is detected. Therefore, both EPC and BadVAddr point to the unaligned instruction address. In the case of a data access the exception is taken if either an unaligned address or an address that was inaccessible in the current processor mode was referenced by a load or store instruction.

Cause Register ExcCode Value:

ADEL: Reference was a load or an instruction fetch

ADES: Reference was a store

Additional State Saved:**Table 4-8 CP0 Register States on an Address Exception Error**

Register State	Value
BadVAddr	failing address
Context _{VPN2}	UNPREDICTABLE
EntryHi _{VPN2}	UNPREDICTABLE (4Kc core)
EntryLo0	UNPREDICTABLE (4Kc core)
EntryLo1	UNPREDICTABLE (4Kc core)

Entry Vector Used:

General exception vector (offset 0x180)

4.6.11 TLB Refill Exception — Instruction Fetch or Data Access (4Kc core)

During an instruction fetch or data access, a TLB refill exception occurs when no TLB entry in a TLB-based MMU matches a reference to a mapped address space and the EXL bit is 0 in the *Status* register. Note that this is distinct from the case in which an entry matches but has the valid bit off. In that case, a TLB Invalid exception occurs.

Cause Register ExcCode Value:

TLBL: Reference was a load or an instruction fetch

TLBS: Reference was a store

Additional State Saved:**Table 4-9 CP0 Register States on a TLB Refill Exception**

Register State	Value
BadVAddr	failing address
Context	The BadVPN2 fields contains VA _{31:13} of the failing address
EntryHi	The VPN2 field contains VA _{31:13} of the failing address; the ASID field contains the ASID of the reference that missed
EntryLo0	UNPREDICTABLE
EntryLo1	UNPREDICTABLE

Entry Vector Used:TLB refill vector (offset 0x000) if Status_{EXL} = 0 at the time of exception;general exception vector (offset 0x180) if Status_{EXL} = 1 at the time of exception

4.6.12 TLB Invalid Exception — Instruction Fetch or Data Access (4Kc core)

During an instruction fetch or data access, a TLB invalid exception occurs in one of the following cases:

- No TLB entry in a TLB-based MMU matches a reference to a mapped address space; and the EXL bit is 1 in the *Status* register.
- A TLB entry in a TLB-based MMU matches a reference to a mapped address space, but the matched entry has the valid bit off.
- The virtual address is greater than or equal to the bounds address in a FM-based MMU.

Cause Register ExcCode Value:

TLBL: Reference was a load or an instruction fetch

TLBS: Reference was a store

Additional State Saved:

Table 4-10 CP0 Register States on a TLB Invalid Exception

Register State	Value
BadVAddr	failing address
Context	The BadVPN2 field contains VA _{31:13} of the failing address
EntryHi	The VPN2 field contains VA _{31:13} of the failing address; the ASID field contains the ASID of the reference that missed
EntryLo0	UNPREDICTABLE
EntryLo1	UNPREDICTABLE

Entry Vector Used:

General exception vector (offset 0x180)

4.6.13 Bus Error Exception — Instruction Fetch or Data Access

A bus error exception occurs when an instruction or data access makes a bus request (due to a cache miss or an uncacheable reference) and that request terminates in an error. The bus error exception can occur on either an instruction fetch or a data access. Bus error exceptions that occur on an instruction fetch have a higher priority than bus error exceptions that occur on a data access.

Bus errors taken on the requested (critical) word of an instruction fetch or data load are precise. Other bus errors, such as stores or non-critical words of a burst read, can be imprecise. These errors are taken when the EB_RBErr or EB_WBErr signals are asserted and may occur on an instruction that was not the source of the offending bus cycle.

Cause Register ExcCode Value:

IBE: Error on an instruction reference

DBE: Error on a data reference

Additional State Saved:

None

Entry Vector Used:

General exception vector (offset 0x180)

4.6.14 Debug Software Breakpoint Exception

A debug software breakpoint exception occurs when an SDBBP instruction is executed. The *DEPC* register and DBD bit in the *Debug* register will indicate the SDBBP instruction that caused the debug exception.

Debug Register Debug Status Bit Set:

DBp

Additional State Saved:

None

Entry Vector Used:

Debug exception vector

4.6.15 Execution Exception — System Call

The system call exception is one of the six execution exceptions. All of these exceptions have the same priority. A system call exception occurs when a SYSCALL instruction is executed.

Cause Register ExcCode Value:

Sys

Additional State Saved:

None

Entry Vector Used:

General exception vector (offset 0x180)

4.6.16 Execution Exception — Breakpoint

The breakpoint exception is one of the six execution exceptions. All of these exceptions have the same priority. A breakpoint exception occurs when a BREAK instruction is executed.

Cause Register ExcCode Value:

Bp

Additional State Saved:

None

Entry Vector Used:

General exception vector (offset 0x180)

4.6.17 Execution Exception — Reserved Instruction

The reserved instruction exception is one of the six execution exceptions. All of these exceptions have the same priority. A reserved instruction exception occurs when a reserved or undefined major opcode or function field is executed.

Cause Register ExcCode Value:

RI

Additional State Saved:

None

Entry Vector Used:

General exception vector (offset 0x180)

4.6.18 Execution Exception — Coprocessor Unusable

The coprocessor unusable exception is one of the six execution exceptions. All of these exceptions have the same priority. A coprocessor unusable exception occurs when an attempt is made to execute a coprocessor instruction for one of the following:

- a corresponding coprocessor unit that has not been marked usable by setting its CU bit in the *Status* register
- CP0 instructions, when the unit has not been marked usable, and the processor is executing in user mode

Cause Register ExcCode Value:

CpU

Additional State Saved:**Table 4-11 Register States on a Coprocessor Unusable Exception**

Register State	Value
Cause _{CE}	unit number of the coprocessor being referenced

Entry Vector Used:

General exception vector (offset 0x180)

4.6.19 Execution Exception — Integer Overflow

The integer overflow exception is one of the six execution exceptions. All of these exceptions have the same priority. An integer overflow exception occurs when selected integer instructions result in a 2's complement overflow.

Cause Register ExcCode Value:

Ov

Additional State Saved:

None

Entry Vector Used:

General exception vector (offset 0x180)

4.6.20 Execution Exception — Trap

The trap exception is one of the six execution exceptions. All of these exceptions have the same priority. A trap exception occurs when a trap instruction results in a TRUE value.

Cause Register ExcCode Value:

Tr

Additional State Saved:

None

Entry Vector Used:

General exception vector (offset 0x180)

4.6.21 Debug Data Break Exception

A debug data break exception occurs when a data hardware breakpoint matches the load/store transaction of an executed load/store instruction. The *DEPC* register and *DBD* bit in the *Debug* register will indicate the load/store instruction that caused the data hardware breakpoint to match. The load/store instruction that caused the debug exception has not completed e.g. not updated the register file, and the instruction can be re-executed after returning from the debug handler.

Debug Register Debug Status Bit Set:

DDBL for a load instruction or DDBS for a store instruction

Additional State Saved:

None

Entry Vector Used:

Debug exception vector

4.6.22 TLB Modified Exception — Data Access (4Kc core)

During a data access, a TLB modified exception occurs on a store reference to a mapped address if the following condition is true:

- The matching TLB entry in a TLB-based MMU is valid, but not dirty.

Cause Register ExcCode Value:

Mod

Additional State Saved:**Table 4-12 Register States on a TLB Modified Exception**

Register State	Value
<i>BadVAddr</i>	failing address
<i>Context</i>	The BadVPN2 field contains VA _{31:13} of the failing address.
<i>EntryHi</i>	The VPN2 field contains VA _{31:13} of the failing address; the ASID field contains the ASID of the reference that missed.
<i>EntryLo0</i>	UNPREDICTABLE
<i>EntryLo1</i>	UNPREDICTABLE

Entry Vector Used:

General exception vector (offset 0x180)

4.7 Exception Handling and Servicing Flowcharts

The remainder of this chapter contains flowcharts for the following exceptions and guidelines for their handlers:

- General exceptions and their exception handler
- TLB miss exceptions and their exception handler (4Kc core)
- Reset, soft reset and NMI exceptions, and a guideline to their handler
- Debug exceptions

Generally speaking, the exceptions are handled by hardware (HW); the exceptions are then serviced by software (SW). Note that unexpected debug exceptions to the debug exception vector at 0xBFC0_0200 may be viewed as a reserved instruction since uncontrolled execution of a SDBBP instruction caused the exception. The DERET instruction must be used at return from the debug exception handler, in order to leave debug mode and return to non-debug mode. The DERET instruction returns to the address in the *DEPC* register.

Exceptions other than Reset, Soft Reset, NMI, or first-level TLB miss (4Kc core only). Note: Interrupts can be masked by IE or IMs, and Watch is masked if EXL = 1.

Comments

EntryHi and Context are set only for TLB Invalid, Modified, & Refill exceptions (4Kc core only). BadVA is set only for TLB Invalid, Modified, and Refill exceptions (4Kc core only). Note: not set on Bus Errors.

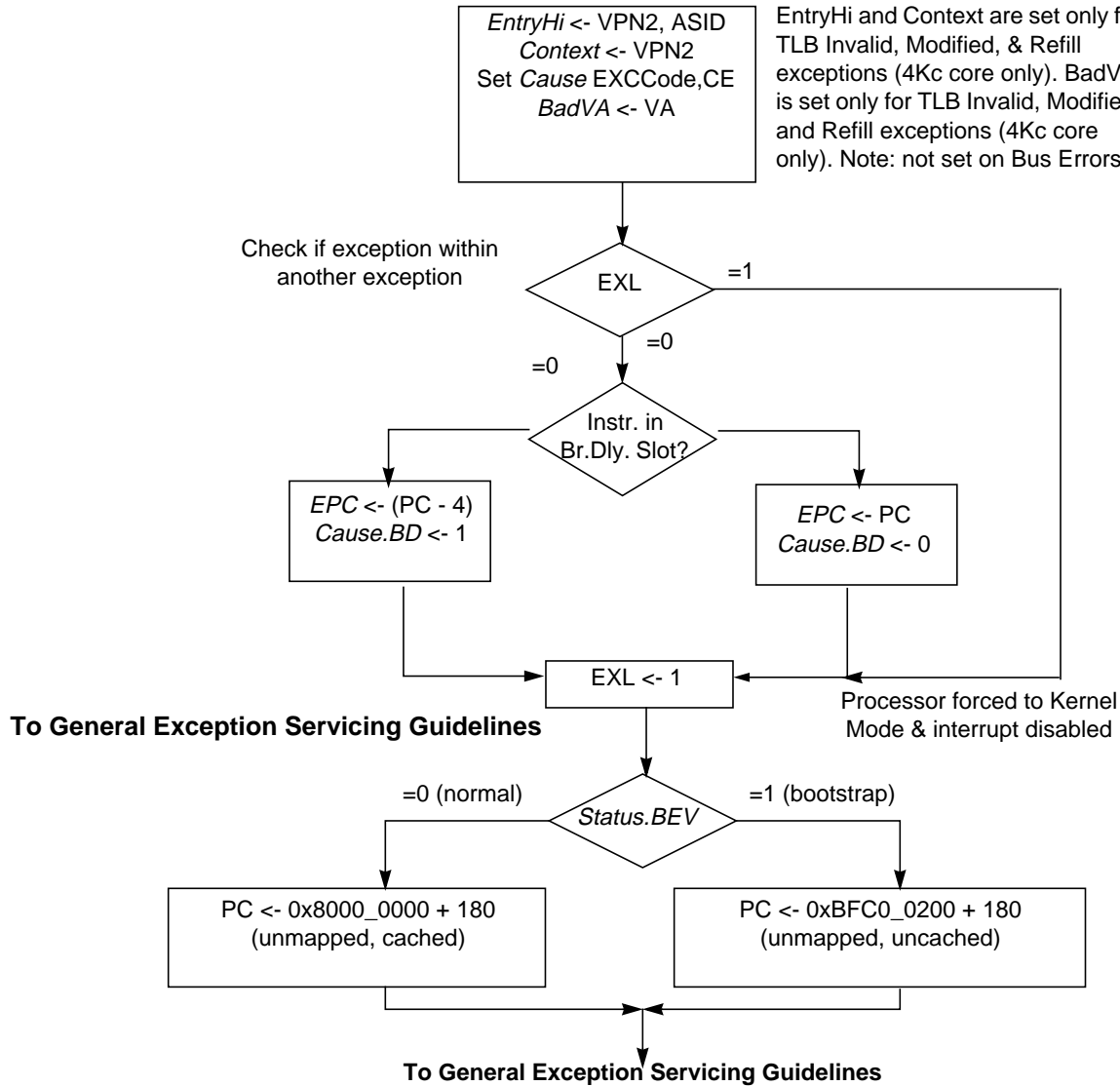


Figure 4-1 General Exception Handler (HW)

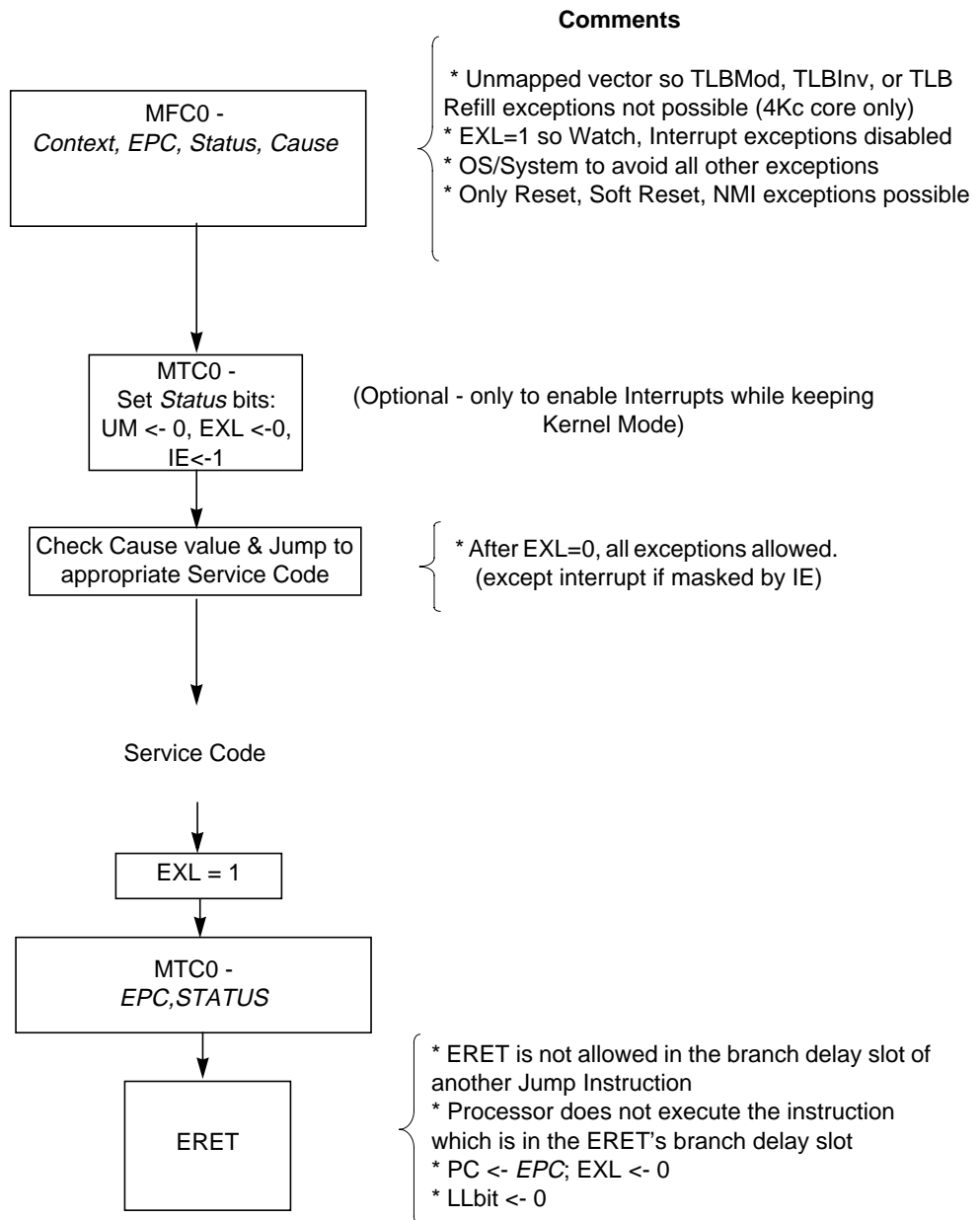


Figure 4-2 General Exception Servicing Guidelines (SW)

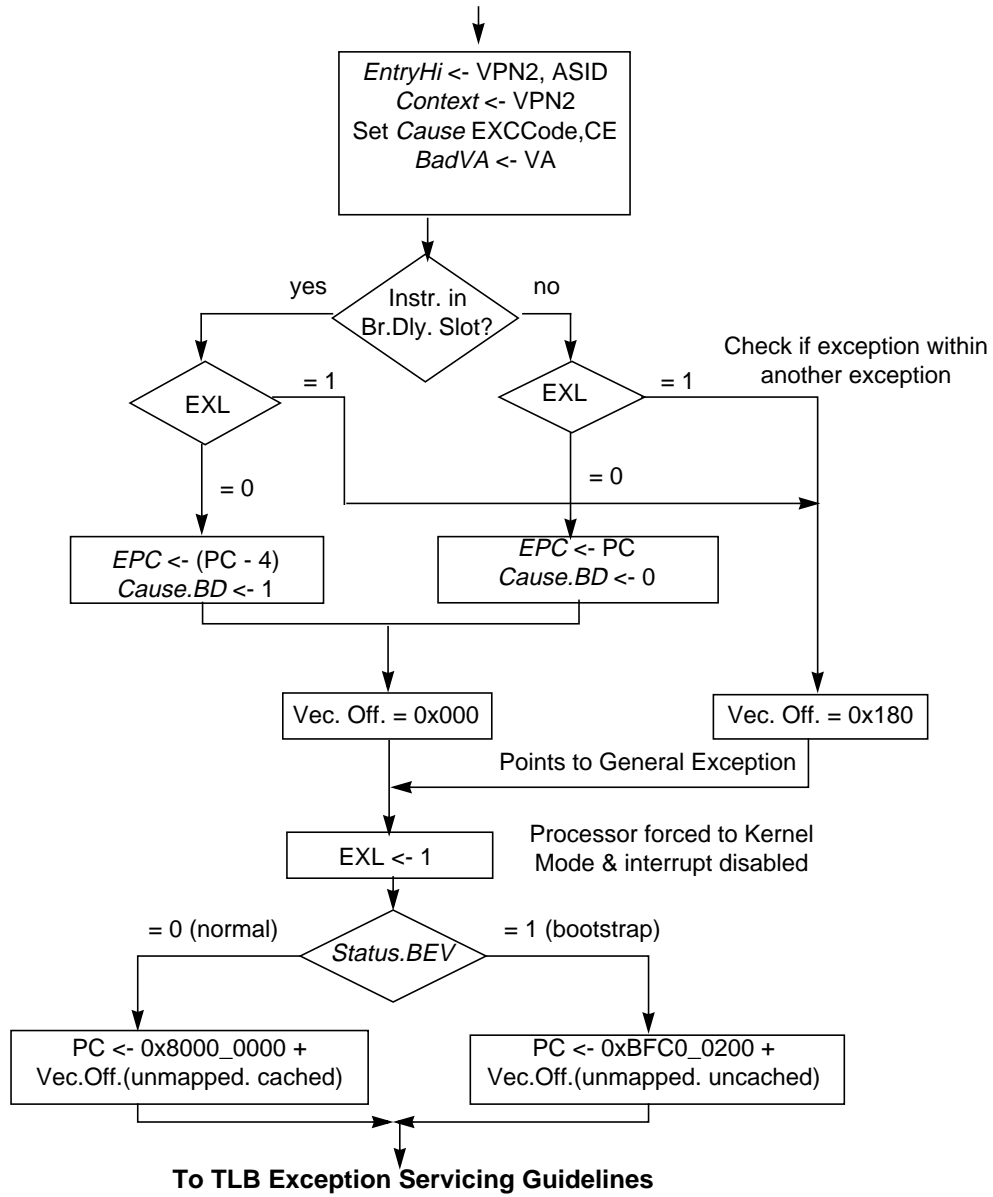


Figure 4-3 TLB Miss Exception Handler (HW) — 4Kc Core only

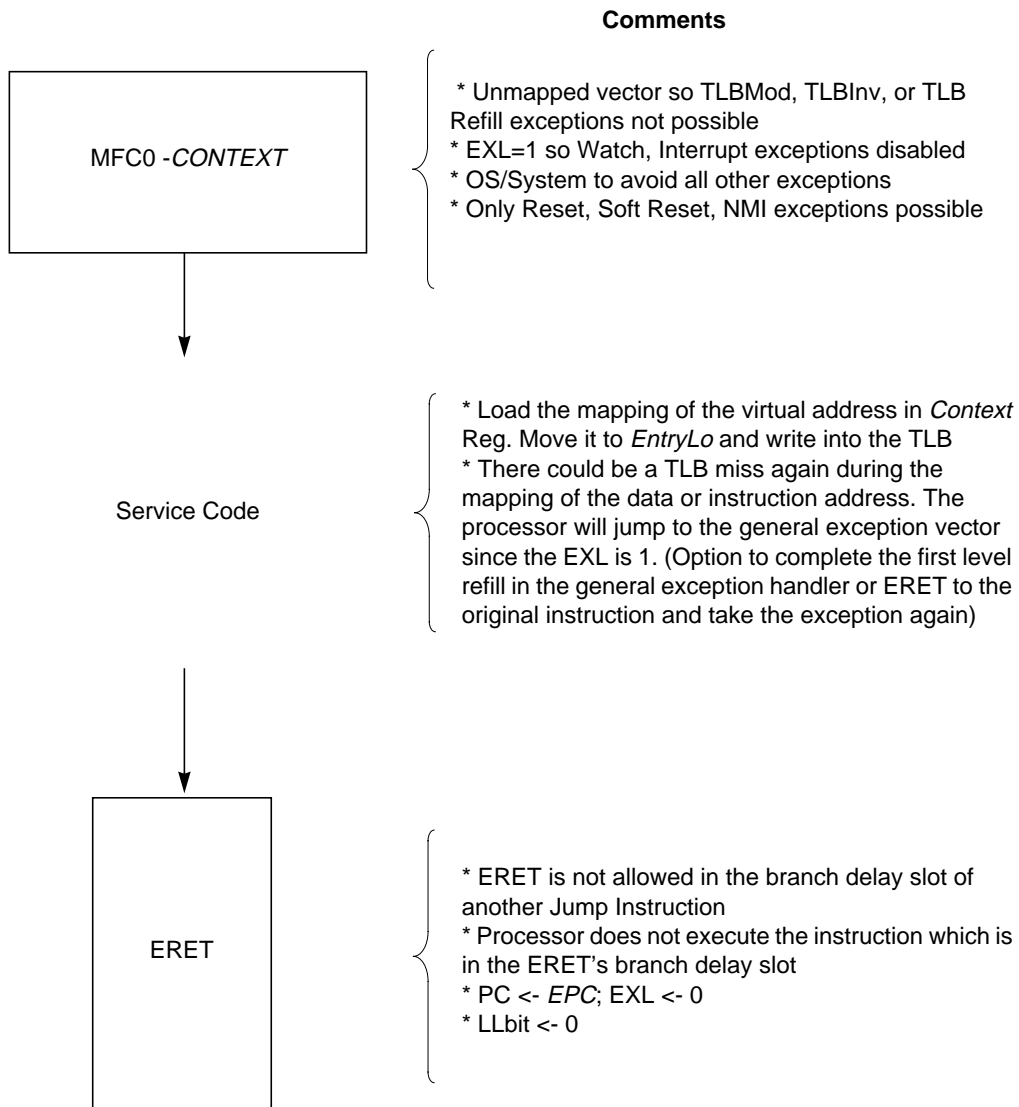


Figure 4-4 TLB Exception Servicing Guidelines (SW) — 4Kc Core only

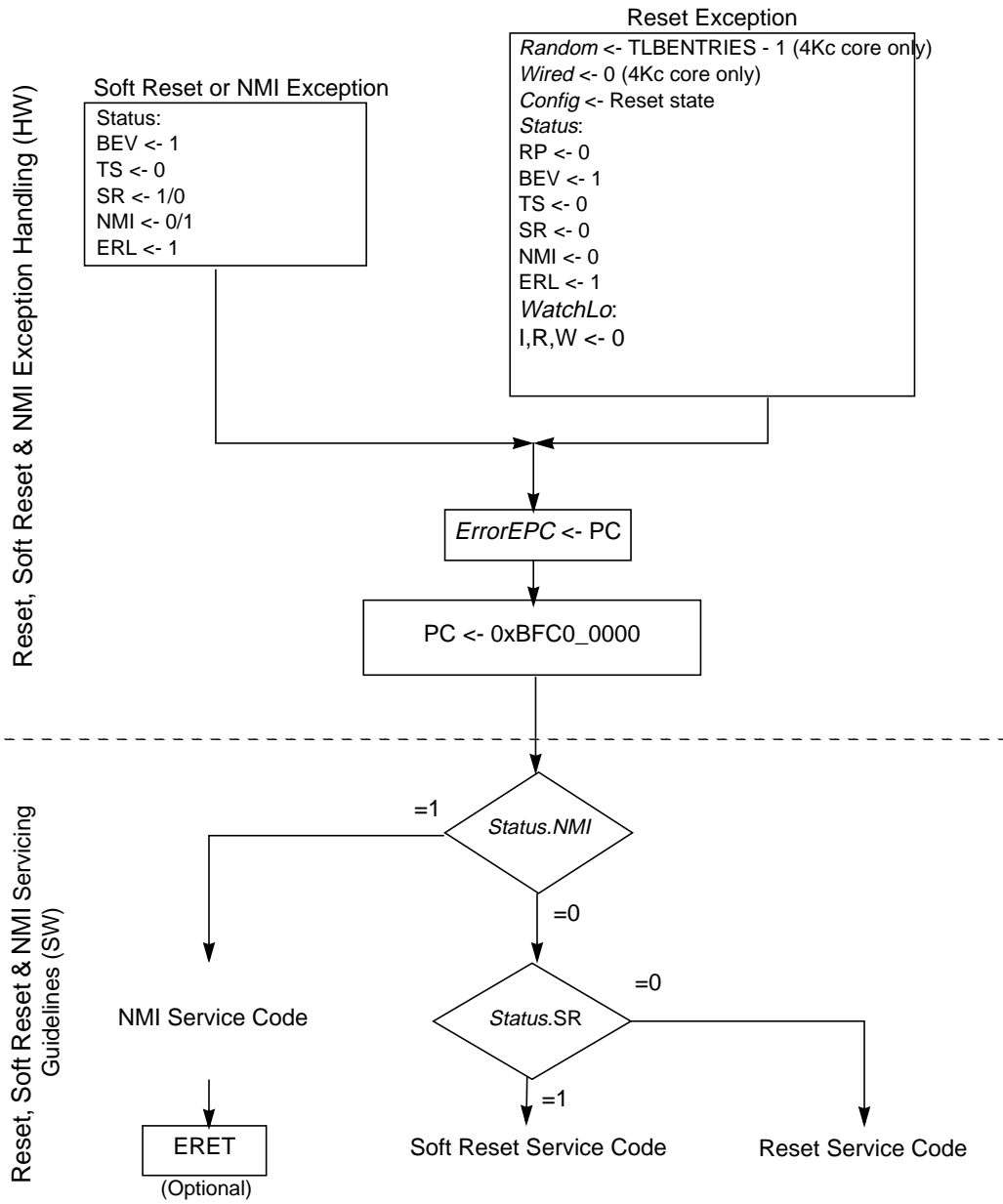


Figure 4-5 Reset, Soft Reset and NMI Exception Handling and Servicing Guidelines

CP0 Registers

The System Control Coprocessor (CP0) provides the register interface to the MIPS32 4K processor cores and supports memory management, address translation, exception handling, and other privileged operations. Each CP0 register has a unique number that identifies it; this number is referred to as the *register number*. For instance, the *PageMask* register is register number 5. For more information on the EJTAG registers, refer to [Chapter 9, “EJTAG Debug Support.”](#)

After updating a CP0 register, there is a hazard period of zero or more instructions from the update instruction (MTC0) and until the effect of the update has taken place in the core. Please refer to [Chapter 2, “Pipeline,”](#) for further detail on CP0 hazards.

The current chapter contains the following sections:

- [Section 5.1, “CP0 Register Summary”](#)
- [Section 5.2, “CP0 Registers”](#)

5.1 CP0 Register Summary

[Table 5-1](#) lists the CP0 registers in numerical order. The individual registers are described throughout this chapter.

Table 5-1 CP0 Registers

Register Number	Register Name	Function
0	Index ¹	Index into the TLB array (4Kc core). This register is reserved in the 4Kp and 4Km cores.
1	Random ¹	Randomly generated index into the TLB array (4Kc core). This register is reserved in the 4Kp and 4Km cores.
2	EntryLo0 ¹	Low-order portion of the TLB entry for even-numbered virtual pages (4Kc core). This register is reserved in the 4Kp and 4Km cores.
3	EntryLo1 ¹	Low-order portion of the TLB entry for odd-numbered virtual pages (4Kc core). This register is reserved in the 4Kp and 4Km cores.
4	Context ²	Pointer to page table entry in memory (4Kc core). This register is reserved in the 4Kp and 4Km cores.
5	PageMask ¹	Controls the variable page sizes in TLB entries (4Kc core). This register is reserved in the 4Kp and 4Km cores.
6	Wired ¹	Controls the number of fixed (“wired”) TLB entries (4Kc core). This register is reserved in the 4Kp and 4Km cores.
7	Reserved	Reserved
8	BadVAddr ²	Reports the address for the most recent address-related exception
9	Count ²	Processor cycle count

Table 5-1 CP0 Registers (Continued)

Register Number	Register Name	Function
10	EntryHi ¹	High-order portion of the TLB entry (4Kc core). This register is reserved in the 4Kp and 4Km cores.
11	Compare ²	Timer interrupt control
12	Status ²	Processor status and control
13	Cause ²	Cause of last exception
14	EPC ²	Program counter at last exception
15	PRId	Processor identification and revision
16	Config/Config1	Configuration registers
17	LLAddr	Load linked address
18	WatchLo ²	Watchpoint address (low order)
19	WatchHi ²	Watchpoint address (high order) and mask
20 - 22	Reserved	Reserved
23	Debug ³	Debug control and exception status
24	DEPC ³	Program counter at last debug exception
25	Reserved	Reserved
26	ErrCtl	Controls access to data and SPRAM arrays for CACHE instruction
27	Reserved	Reserved
28	TagLo/DataLo	Low-order portion of cache tag interface
29	Reserved	Reserved
30	ErrorEPC ²	Program counter at last error
31	DESAVE ³	Debug handler scratchpad register

1. Registers used in memory management.
2. Registers used in exception processing.
3. Registers used in debug.

5.2 CP0 Registers

The CP0 registers provide the interface between the ISA and the architecture. Each register is discussed below, with the registers presented in numerical order, first by register number, then by select field number.

For each register described below, field descriptions include the read/write properties of the field, and the reset state of the field. For the read/write properties of the field, the following notation is used:

Table 5-2 CP0 Register Field Types

Read/Write Notation	Hardware Interpretation	Software Interpretation
R/W	<p>A field in which all bits are readable and writable by software and, potentially, by hardware.</p> <p>Hardware updates of this field are visible by software read. Software updates of this field are visible by hardware read.</p> <p>If the reset state of this field is “Undefined,” either software or hardware must initialize the value before the first read will return a predictable value. This should not be confused with the formal definition of UNDEFINED behavior.</p>	
R	<p>A field that is either static or is updated only by hardware.</p> <p>If the Reset State of this field is either “0” or “Preset”, hardware initializes this field to zero or to the appropriate state, respectively, on powerup.</p> <p>If the Reset State of this field is “Undefined”, hardware updates this field only under those conditions specified in the description of the field.</p>	<p>A field to which the value written by software is ignored by hardware. Software may write any value to this field without affecting hardware behavior. Software reads of this field return the last value updated by hardware.</p> <p>If the Reset State of this field is “Undefined,” software reads of this field result in an UNPREDICTABLE value except after a hardware update done under the conditions specified in the description of the field.</p>
0	<p>A field that hardware does not update, and for which hardware can assume a zero value.</p>	<p>A field to which the value written by software must be zero. Software writes of non-zero values to this field may result in UNDEFINED behavior of the hardware. Software reads of this field return zero as long as all previous software writes are zero.</p> <p>If the Reset State of this field is “Undefined,” software must write this field with zero before it is guaranteed to read as zero.</p>

5.2.1 Index Register (CP0 Register 0, Select 0)

The *Index* register is a 32-bit read/write register that contains the index used to access the TLB for TLBP, TLBR, and TLBWI instructions. The width of the index field is implementation-dependent as a function of the number of TLB entries that are implemented. The minimum value for TLB-based MMUs is $Ceiling(\log_2(TLBEentries))$.

The operation of the processor is UNDEFINED if a value greater than or equal to the number of TLB entries is written to the *Index* register.

This register is only valid with the TLB (4Kc core). It is reserved if the FM is implemented (4Km and 4Kp).

Index Register Format

31	30	4	3	0
P	0			Index

Table 5-3 Index Register Field Descriptions

Fields		Description	Read/ Write	Reset State
Name	Bit(s)			
P	31	Probe Failure. Set to 1 when the previous TLBProbe (TLBP) instruction failed to find a match in the TLB.	R	Undefined
0	30:4	Must be written as zero; returns zero on read.	0	0
Index	3:0	Index to the TLB entry affected by the TLBRead and TLBWrite instructions.	R/W	Undefined

5.2.2 *Random Register (CP0 Register 1, Select 0)*

The *Random* register is a read-only register whose value is used to index the TLB during a TLBWR instruction. The width of the *Random* field is calculated in the same manner as that described for the *Index* register above.

The value of the register varies between an upper and lower bound as follow:

- A lower bound is set by the number of TLB entries reserved for exclusive use by the operating system (the contents of the *Wired* register). The entry indexed by the *Wired* register is the first entry available to be written by a TLB Write *Random* operation.
- An upper bound is set by the total number of TLB entries minus 1.

The *Random* register is decremented by one almost every clock wrapping after the value in the *Wired* register is reached. To enhance the level of randomness and reduce the possibility of a live lock condition, an LFSR register is used that prevents the decrement pseudo-randomly.

The processor initializes the *Random* register to the upper bound on a Reset exception and when the *Wired* register is written.

This register is only valid with the TLB (4Kc core). It is reserved if the FM is implemented (4Km and 4Kp).

Random Register Format

31	4 3 0
0	Random

Table 5-4 *Random Register Field Descriptions*

Fields		Description	Read/ Write	Reset State
Name	Bit(s)			
0	31:4	Must be written as zero; returns zero on read.	0	0
Random	3:0	TLB Random Index	R	TLB Entries - 1

5.2.3 *EntryLo0, EntryLo1* (CP0 Registers 2 and 3, Select 0)

The pair of *EntryLo* registers act as the interface between the TLB and the TLBR, TLBWI, and TLBWR instructions. For a TLB-based MMU, *EntryLo0* holds the entries for even pages and *EntryLo1* holds the entries for odd pages.

The contents of the *EntryLo0* and *EntryLo1* registers are undefined after an address error, TLB invalid, TLB modified, or TLB refill exceptions.

These registers are only valid with the TLB (4Kc core). They are reserved if the FM is implemented (4Km and 4Kp).

***EntryLo0, EntryLo1* Register Format**

31	30	29	26	25	6	5	3	2	1	0
R		0	PFN			C	D	V	G	

Table 5-5 *EntryLo0, EntryLo1* Register Field Descriptions

Fields		Description	Read/Write	Reset State
Name	Bit(s)			
R	31:30	Reserved. Should be ignored on writes; returns zero on read.	R	0
0	29:26	These 4 bits are normally part of the PFN. However, since the core supports only 32-bits of physical address, the PFN is only 20-bits wide. Therefore, bits 29:26 of this register must be written with zeros.	R/W	0
PFN	25:6	Page Frame Number. Corresponds to bits 31:12 of the physical address.	R/W	Undefined
C	5:3	Coherency attribute of the page. See Table 5-6 .	R/W	Undefined
D	2	“Dirty” or write-enable bit, indicating that the page has been written, and/or is writable. If this bit is a one, stores to the page are permitted. If this bit is a zero, stores to the page cause a TLB Modified exception.	R/W	Undefined
V	1	Valid bit, indicating that the TLB entry, and thus the virtual page mapping are valid. If this bit is a one, accesses to the page are permitted. If this bit is a zero, accesses to the page cause a TLB Invalid exception.	R/W	Undefined
G	0	Global bit. On a TLB write, the logical AND of the G bits in both the <i>EntryLo0</i> and <i>EntryLo1</i> registers become the G bit in the TLB entry. If the TLB entry G bit is a one, ASID comparisons are ignored during TLB matches. On a read from a TLB entry, the G bits of both <i>EntryLo0</i> and <i>EntryLo1</i> reflect the state of the TLB G bit.	R/W	Undefined

[Table 5-6](#) lists the encoding of the C field of the *EntryLo0* and *EntryLo1* registers and the K0 field of the *Config* register.

Table 5-6 Cache Coherency Attributes

C(5:3) Value	Cache Coherency Attribute
0, 1, 3*, 4, 5, 6	Cacheable, noncoherent, write through, no write allocate
2*, 7	Uncached

Table 5-6 Cache Coherency Attributes

C(5:3) Value	Cache Coherency Attribute
Note: * These two values are required by the MIPS32 architecture. All other values are not used. For example, values 0, 1, 4, 5 and 6 are not used and are mapped to 3. The value 7 is not used and is mapped to 2. Note that these values do have meaning in other MIPS Technologies processor implementations. Refer to the MIPS32 specification for more information.	

5.2.4 Context Register (CP0 Register 4, Select 0)

The *Context* register is a read/write register containing a pointer to an entry in the page table entry (PTE) array. This array is an operating system data structure that stores virtual-to-physical translations. During a TLB miss, the operating system loads the TLB with the missing translation from the PTE array. The *Context* register duplicates some of the information provided in the *BadVAddr* register but is organized in such a way that the operating system can directly reference an 8-byte page table entry (PTE) in memory.

A TLB exception (TLB Refill, TLB Invalid, or TLB Modified) causes bits VA_{31:13} of the virtual address to be written into the BadVPN2 field of the *Context* register. The PTEBase field is written and used by the operating system.

The BadVPN2 field of the *Context* register is not defined after an address error exception.

This register is only valid with the TLB (4Kc core). It is reserved if the FM is implemented (4Km and 4Kp).

Context Register Format

31	23 22	4 3	0
PTEBase	BadVPN2	0	

Table 5-7 Context Register Field Descriptions

Fields		Description	Read/Write	Reset State
Name	Bit(s)			
PTEBase	31:23	This field is for use by the operating system and is normally written with a value that allows the operating system to use the <i>Context</i> Register as a pointer into the current PTE array in memory.	R/W	Undefined
BadVPN2	22:4	This field is written by hardware on a TLB miss for the 4Kc core. It contains bits VA _{31:13} of the virtual address that missed.	R	Undefined
0	3:0	Must be written as zero; returns zero on read.	0	0

5.2.5 PageMask Register (CP0 Register 5, Select 0)

The *PageMask* register is a read/write register used for reading from and writing to the TLB. It holds a comparison mask that sets the variable page size for each TLB entry as shown in Table 5-9. Behavior is **UNDEFINED** if a value other than those listed is used.

This register is only valid with the TLB (4Kc core). It is reserved if the FM is implemented (4Km and 4Kp).

PageMask Register Format

31	25 24	13 12	0
0	Mask	0	

Table 5-8 PageMask Register Field Descriptions

Fields		Description	Read/ Write	Reset State
Name	Bit(s)			
Mask	24:13	The Mask field is a bit mask in which a “1” indicates that the corresponding bit of the virtual address should not participate in the TLB match.	R/W	Undefined
0	31:25, 12:0	Must be written as zero; returns zero on read.	0	0

Table 5-9 Values for the Mask Field of the PageMask Register

Page Size	Bit											
	24	23	22	21	20	19	18	17	16	15	14	13
4 KBytes	0	0	0	0	0	0	0	0	0	0	0	0
16 KBytes	0	0	0	0	0	0	0	0	0	0	1	1
64 KBytes	0	0	0	0	0	0	0	0	1	1	1	1
256 KBytes	0	0	0	0	0	0	1	1	1	1	1	1
1 MByte	0	0	0	0	1	1	1	1	1	1	1	1
4 MByte	0	0	1	1	1	1	1	1	1	1	1	1
16 Mbyte	1	1	1	1	1	1	1	1	1	1	1	1

5.2.6 Wired Register (CP0 Register 6, Select 0)

The *Wired* register is a read/write register that specifies the boundary between the wired and random entries in the TLB as shown in Figure 5-1. The width of the Wired field is calculated in the same manner as that described for the *Index* register above. Wired entries are fixed, non-replaceable entries that are not overwritten by a TLBWR instruction. Wired entries can be overwritten by a TLBWI instruction.

The *Wired* register is set to zero by a Reset exception. Writing the *Wired* register causes the *Random* register to reset to its upper bound.

The operation of the processor is undefined if a value greater than or equal to the number of TLB entries is written to the *Wired* register.

This register is only valid with a TLB (4Kc core). It is reserved if the FM is implemented (4Km and 4Kp cores).

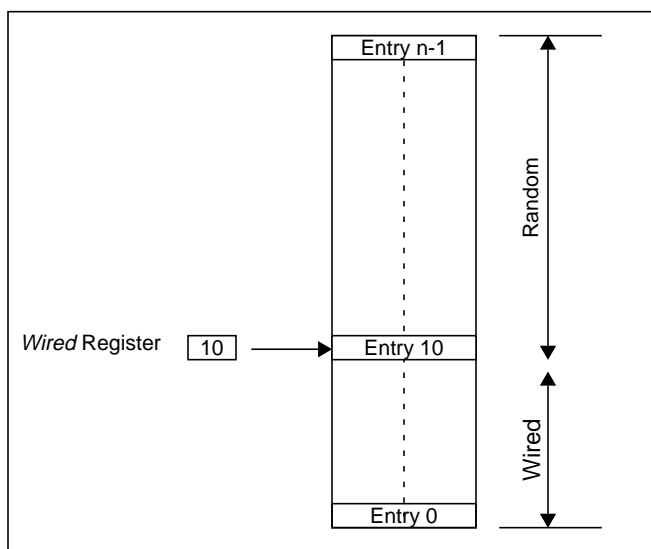


Figure 5-1 Wired and Random Entries in the TLB

Wired Register Format

31	4 3 0
0	Wired

Table 5-10 Wired Register Field Descriptions

Fields		Description	Read/Write	Reset State
Name	Bit(s)			
0	31:4	Must be written as zero; returns zero on read.	0	0
Wired	3:0	TLB wired boundary.	R/W	0

5.2.7 *BadVAddr* Register (CP0 Register 8, Select 0)

The *BadVAddr* register is a read-only register that captures the most recent virtual address that caused one of the following exceptions:

- Address error (AdEL or AdES)
- TLB Refill (4Kc core)
- TLB Invalid (4Kc core)
- TLB Modified (4Kc core)

The *BadVAddr* register does not capture address information for cache or bus errors, since neither is an addressing error.

***BadVAddr* Register Format**

31	0
BadVAddr	

Table 5-11 *BadVAddr* Register Field Description

Fields		Description	Read/ Write	Reset State
Name	Bits			
BadVAddr	31:0	Bad virtual address	R	Undefined

5.2.8 Count Register (CP0 Register 9, Select 0)

The *Count* register acts as a timer, incrementing at a constant rate, whether or not an instruction is executed, retired, or any forward progress is made through the pipeline. The counter increments every other clock.

The *Count* register can be written for functional or diagnostic purposes, including at reset or to synchronize processors.

Whether the *Count* register continues incrementing while the processor is in debug mode is determined by the CountDM bit in the *Debug* register (see [Section 5.2.20, "Debug Register \(CP0 Register 23\)"](#) on page 102).

Count Register Format

31	0
Count	

Table 5-12 Count Register Field Description

Fields		Description	Read/ Write	Reset State
Name	Bits			
Count	31:0	Interval counter.	R/W	Undefined

5.2.9 *EntryHi* Register (CP0 Register 10, Select 0)

The *EntryHi* register contains the virtual address match information used for TLB read, write, and access operations.

A TLB exception (TLB Refill, TLB Invalid, or TLB Modified) causes bits $VA_{31:13}$ of the virtual address to be written into the VPN2 field of the *EntryHi* register. The ASID field is written by software with the current address space identifier value and is used during the TLB comparison process to determine TLB match.

The VPN2 field of the *EntryHi* register is not defined after an address error exception.

This register is only valid with the TLB (4Kc core). It is reserved if the FM is implemented (4Km and 4Kp cores).

***EntryHi* Register Format**

31	13 12	8 7	0
VPN2		0	ASID

Table 5-13 *EntryHi* Register Field Descriptions

Fields		Description	Read/ Write	Reset State
Name	Bit(s)			
VPN2	31:13	$VA_{31:13}$ of the virtual address (virtual page number / 2). This field is written by hardware on a TLB exception or on a TLB read, and is written by software before a TLB write.	R/W	Undefined
0	12:8	Must be written as zero; returns zero on read.	0	0
ASID	7:0	Address space identifier. This field is written by hardware on a TLB read and by software to establish the current ASID value for TLB write and against which TLB references match each entry's TLB ASID field.	R/W	Undefined

5.2.10 Compare Register (CP0 Register 11, Select 0)

The *Compare* register acts in conjunction with the *Count* register to implement a timer and timer interrupt function. The timer interrupt is an output of the cores. The *Compare* register maintains a stable value and does not change on its own.

When the value of the *Count* register equals the value of the *Compare* register, the SI_TimerInt pin is asserted. This pin will remain asserted until the *Compare* register is written. The SI_TimerInt pin can be fed back into the core on one of the interrupt pins to generate an interrupt. Traditionally, this has been done by multiplexing it with hardware interrupt 5 to set interrupt bit IP(7) in the *Cause* register.

For diagnostic purposes, the *Compare* register is a read/write register. In normal use, however, the *Compare* register is write-only. Writing a value to the *Compare* register, as a side effect, clears the timer interrupt.

Compare Register Format

31	0
Compare	

Table 5-14 Compare Register Field Description

Fields		Description	Read/ Write	Reset State
Name	Bit(s)			
Compare	31:0	Interval count compare value	R/W	Undefined

5.2.11 Status Register (CP0 Register 12, Select 0)

The *Status* register (SR) is a read/write register that contains the operating mode, interrupt enabling, and the diagnostic states of the processor. Fields of this register combine to create operating modes for the processor, as follows:

Interrupt Enable: Interrupts are enabled when all of the following conditions are true:

- IE = 1
- EXL = 0
- ERL = 0
- DM = 0

If these conditions are met, the settings of the IM and IE bits enable the interrupt.

Operating Modes: If the DM bit in the Debug register is 1, the processor is in debug mode. Otherwise the processor is in either kernel or user mode. The following CPU Status register bit settings determine user or kernel mode.

- User mode: UM = 1, EXL = 0, and ERL = 0
- Kernel mode: UM = 0, or EXL = 1, or ERL = 1

Coprocessor Accessibility: The *Status* register CU bits control coprocessor accessibility. If any coprocessor is unusable, an instruction that accesses it generates an exception.

Coprocessor 0 is always enabled in kernel mode, regardless of the setting of the CU0 bit.

Status Register Format

31	28	27	26	25	24	23	22	21	20	19	18	17	16	15		8	7	5	4	3	2	1	0		
CU3-CU0	RP	R	RE	0	BEV	TS	SR	NMI	0	0	IM7-IM0					R	UM	R	ERL	EXL	IE				

Table 5-15 Status Register Field Descriptions

Fields		Description	Read/ Write	Reset State
Name	Bit(s)			
CU3-CU0	31:28	Controls access to coprocessors 3, 2, 1, and 0, respectively: 0: access not allowed 1: access allowed Coprocessor 0 is always usable when the processor is running in kernel mode, independent of the state of the CU0 bit. The core does not support coprocessors 1-3, but CU3:1 can still be set. However, processor behavior is unpredictable if a coprocessor instruction to coprocessors 1-3 is attempted with the corresponding CU3:1 bit set.	R/W	Undefined
RP	27	Enables reduced power mode. The state of the RP bit is available on the bus interface as the SI_RP signal.	R/W	0 for Cold Reset only.
R	26	This bit must be ignored on writes and read as zero.	R	0
RE	25	Used to enable reverse-endian memory references while the processor is running in user mode: 0: User mode uses configured endianness 1: User mode uses reversed endianness Kernel or debug mode references are not affected by the state of this bit.	R/W	Undefined
0	24:23	This bit must be written as zero; returns zero on read.	R	0
BEV	22	Controls the location of exception vectors: 0: Normal 1: Bootstrap	R/W	1
TS	21	TLB shutdown. This bit is set if a TLBWI or TLBWR instruction is issued that would cause a TLB shutdown condition if allowed to complete. This bit is only used in the 4Kc processor and is reserved in the 4Kp and 4Km processors. Software can only write a 0 to this bit to clear it and cannot force a 0-1 transition.	R/W	0
SR	20	Indicates that the entry through the reset exception vector was due to a Soft Reset: 0: Not Soft Reset (NMI or hard reset) 1: Soft Reset Software can only write a 0 to this bit to clear it and cannot force a 0-1 transition.	R/W	1 for Soft Reset; 0 otherwise

Table 5-15 Status Register Field Descriptions (Continued)

Fields		Description	Read/ Write	Reset State
Name	Bit(s)			
NMI	19	Indicates that the entry through the reset exception vector was due to an NMI. 0: Not NMI (soft or hard reset) 1: NMI Software can only write a 0 to this bit to clear it and cannot force a 0-1 transition.	R/W	1 for NMI; 0 otherwise
0	18	Must be written as zero; returns zero on read.	R	0
R	17:16	Reserved. Must be ignored on write and read as zero.	R	0
IM[7:0]	15:8	Interrupt Mask: Controls the enabling of each of the external, internal, and software interrupts. An interrupt is taken if interrupts are enabled and the corresponding bits are set in both the Interrupt Mask field of the Status register and the Interrupt Pending field of the Cause register and the IE bit is set in the Status register. 0: Interrupt request disabled 1: Interrupt request enabled	R/W	Undefined
R	7:5	Reserved. Must be ignored on write and read as zero.	R	0
UM	4	Indicates that the processor is operating in user mode: 0: processor is operating in kernel mode 1: processor is operating in user mode Note that the processor can also be in kernel mode if EXR or ERL are set. This condition does not affect the state of the UM bit.	R/W	Undefined
R	3	Reserved. Must be ignored on write and read as zero.	R	0
ERL	2	Error Level. Set by the processor when a Reset, Soft Reset, or NMI exception is taken. 0: normal level 1: error level When ERL is set: The processor is running in kernel mode. Interrupts are disabled. The ERET instruction uses the return address held in ErrorEPC instead of EPC. kuseg is treated as an unmapped and uncached region. This allows main memory to be accessed in the presence of cache errors. Behavior is UNDEFINED if ERL is set while executing code in useg/kuseg.	R/W	1

Table 5-15 Status Register Field Descriptions (Continued)

Fields		Description	Read/ Write	Reset State
Name	Bit(s)			
EXL	1	<p>Exception Level. Set by the processor when any exception other than a Reset, Soft Reset, or NMI exception is taken.</p> <p>0: normal level 1: exception level</p> <p>When EXL is set: The processor is running in kernel mode. Interrupts are disabled.</p> <p>In the 4Kc core, TLB refill exceptions use the general exception vector instead of the TLB refill vector.</p> <p>EPC is not updated if another exception is taken.</p>	R/W	Undefined
IE	0	<p>Interrupt Enable. Acts as the master enable for software and hardware interrupts:</p> <p>0: disables interrupts 1: enables interrupts</p>	R/W	Undefined

5.2.12 Cause Register (CP0 Register 13, Select 0)

The *Cause* register primarily describes the cause of the most recent exception. In addition, fields also control software interrupt requests and the vector through which interrupts are dispatched. With the exception of the IP[1:0], IV, and WP fields, all fields in the Cause register are read-only.

Cause Register Format

31	30	29	28	27	24	23	22	21	16	15	10	9	8	7	6	5	4	3	2	1	0
BD	0	CE		0	IV	WP		0		IP[7:2]		IP[1:0]	0		Exc Code						0

Table 5-16 Cause Register Field Descriptions

Fields		Description	Read/ Write	Reset State
Name	Bit(s)			
BD	31	Indicates whether the last exception taken occurred in a branch delay slot: 0: Not in delay slot 1: In delay slot Note that the BD bit is not updated on a new exception if the EXL bit is set.	R	Undefined
CE	29:28	Coprocessor unit number referenced when a Coprocessor Unusable exception is taken. This field is loaded by hardware on every exception but is unpredictable for all exceptions except for Coprocessor Unusable.	R	Undefined
IV	23	Indicates whether an interrupt exception uses the general exception vector or a special interrupt vector: 0: Use the general exception vector (0x180) 1: Use the special interrupt vector (0x200)	R/W	Undefined
WP	22	Indicates that a watch exception was deferred because <i>Status_{EXL}</i> or <i>Status_{ERL}</i> were a one at the time the watch exception was detected. This bit both indicates that the watch exception was deferred and causes the exception to be initiated once <i>Status_{EXL}</i> and <i>Status_{ERL}</i> are both zero. As such, software must clear this bit as part of the watch exception handler to prevent a watch exception loop. Software can only write a 0 to this bit to clear it and cannot force a 0-1 transition.	R/W	Undefined
IP[7:2]	15:10	Indicates an external interrupt is pending: 15: Hardware interrupt 5 or timer interrupt 14: Hardware interrupt 4 13: Hardware interrupt 3 12: Hardware interrupt 2 11: Hardware interrupt 1 10: Hardware interrupt 0	R	Undefined
IP[1:0]	9:8	Controls the request for software interrupts: 9: Request software interrupt 1 8: Request software interrupt 0	R/W	Undefined
Exc Code	6:2	Exception code — see Table 5-17 .	R	Undefined

Table 5-16 Cause Register Field Descriptions (Continued)

Fields		Description	Read/ Write	Reset State
Name	Bit(s)			
0	30, 27:24, 21:16, 7, 1:0	Must be written as zero; returns zero on read.	R	0

Table 5-17 Cause Register ExcCode Field Descriptions

Exception Code Value	Mnemonic	Description
0	Int	Interrupt
1	Mod	TLB modification exception (4Kc core) or Reserved (4Km and 4Kp cores)
2	TLBL	TLB exception (load or instruction fetch) (4Kc core) or Reserved (4Km and 4Kp cores)
3	TLBS	TLB exception (store) (4Kc core) or Reserved (4Km and 4Kp cores)
4	AdEL	Address error exception (load or instruction fetch)
5	AdES	Address error exception (store)
6	IBE	Bus error exception (instruction fetch)
7	DBE	Bus error exception (data reference: load or store)
8	Sys	Syscall exception
9	Bp	Breakpoint exception
10	RI	Reserved instruction exception
11	CpU	Coprocessor Unusable exception
12	Ov	Integer Overflow exception
13	Tr	Trap exception
14-22	-	Reserved
23	WATCH	Reference to WatchHi/WatchLo address
24	MCheck	Machine check (4Kc core) or Reserved (4Km and 4Kp cores)
25-31	-	Reserved

5.2.13 Exception Program Counter (CP0 Register 14, Select 0)

The Exception Program Counter (*EPC*) is a read/write register that contains the address at which processing resumes after an exception has been serviced. All bits of the *EPC* register are significant and must be writable.

For synchronous (precise) exceptions, the *EPC* contains one of the following:

- The virtual address of the instruction that was the direct cause of the exception
- The virtual address of the immediately preceding branch or jump instruction, when the exception causing instruction is in a branch delay slot and the *Branch Delay* bit in the *Cause* register is set.

On new exceptions, the processor does not write to the *EPC* register when the EXL bit in the *Status* register is set. However, the register can still be written via the MTC0 instruction.

***EPC* Register Format**

31	0
EPC	

Table 5-18 *EPC* Register Field Description

Fields		Description	Read/ Write	Reset State
Name	Bit(s)			
EPC	31:0	Exception Program Counter.	R/W	Undefined

5.2.14 Processor Identification (CP0 Register 15, Select 0)

The Processor Identification (*PRId*) register is a 32-bit read-only register that contains information identifying the manufacturer, manufacturer options, processor identification, and revision level of the processor.

***PRId* Register Format**

31	24 23	16 15	8 7	0
R	Company ID	Processor ID	Revision	

Table 5-19 *PRId* Register Field Descriptions

Fields		Description	Read/ Write	Reset State
Name	Bit(s)			
R	31:24	Reserved. Must be ignored on write and read as zero	R	0
Company ID	23:16	Identifies the company that designed or manufactured the processor. In all three cores this field contains a value of 1 to indicate MIPS Technologies, Inc.	R	1
Processor ID	15:8	Identifies the type of processor. This field allows software to distinguish between the various types of MIPS Technologies processors. This field contains a value of 0x80 for the 4Kc processor. The value is 0x83 for the 4Kp and 4Km processors.	R	4Kc core - 0x80 4Km & 4Kp cores - 0x83
Revision	7:0	Specifies the revision number of the processor. This field allows software to distinguish between one revision and another of the same processor type. Current values: 0x1: 1.1-2.2 0x2: 2.3-2.4 0x3: 2.5-2.6 0x4: 3.0 0x5: 3.1 0x6: 3.2 0x7: 3.3 0x8: 3.4 0x9: 3.5 0xa: 3.6 0xb: 3.7	R	Preset

5.2.15 Config Register (CP0 Register 16, Select 0)

The *Config* register specifies various configuration and capabilities information. Most of the fields in the *Config* register are initialized by hardware during the Reset exception process, or are constant. One field, K0, must be initialized by software in the Reset exception handler.

Config Register Format — Select 0

31	30	28	27	25	24	23	22	21	20	19	18	17	16	15	14	13	12	10	9	7	6	3	2	0
M	K23	KU	ISP	DSP	0	SB	MDU	R	MM	BM	BE	AT	AR	MT							0			K0

Table 5-20 Config Register Field Descriptions

Fields		Description	Read/Write	Reset State
Name	Bit(s)			
M	31	This bit is hardwired to '1' to indicate the presence of the Config1 register.	R	1
K23	30:28	This field controls the cacheability of the kseg2 and kseg3 address segments in FM implementations. This field is valid in the 4Kp and 4Km processor and is reserved in the 4Kc processor (must be written as 0; returns 0 on read). Refer to Table 5-21 for the field encoding.	FM: R/W TLB: 0	FM: 010 TLB: 000
KU	27:25	This field controls the cacheability of the kuseg and useg address segments in FM implementations. This field is valid in the 4Kp and 4Km processor and is reserved in the 4Kc processor (must be written as 0; returns 0 on read). Refer to Table 5-21 for the field encoding.	FM: R/W TLB: 0	FM: 010 TLB: 000
ISP	24	This field indicates the presence of an I-side scratchpad RAM	R	Preset
DSP	23	This field indicates the presence of a D-side scratchpad RAM	R	Preset
0	22	Must be written as 0. Returns 0 on read.	0	0
SB	21	Indicates whether SimpleBE bus mode is enabled. Set via SI_SimpleBE[0] input pin 0 = No reserved byte enables on EC interface 1 = Only simple byte enables allowed on EC interface	R	Externally Set
MDU	20	This bit indicates the MDU type. 0 = Fast Multiplier Array (4Kc and 4Km cores) 1 = Iterative multiplier (4Kp cores)	R	Preset
0	19	Must be written as 0. Returns 0 on read.	0	0
MM	18:17	This field contains the merge mode for the 32-byte collapsing write buffer: 00 = No Merging 01 = SysAD Valid merging 10 = Full merging 11 = Reserved	R	Externally Set

Table 5-20 Config Register Field Descriptions (Continued)

Fields		Description	Read/ Write	Reset State
Name	Bit(s)			
BM	16	Burst order. 0: Sequential 1: SubBlock	R	Externally Set
BE	15	Indicates the endian mode in which the processor is running: 0: Little endian 1: Big endian	R	Externally Set
AT	14:13	Architecture type implemented by the processor. This field is always 00 to indicate MIPS32.	R	00
AR	12:10	Architecture revision level. This field is always 000 to indicate revision 1. 0: Revision 1 1-7: Reserved	R	000
MT	9:7	MMU Type: 1: Standard TLB (4Kc core) 3: Fixed Mapping (4Kp, 4Km cores) All other values: Reserved	R	Preset
0	6:3	Must be written as zero; returns zero on read.	0	0
K0	2:0	Kseg0 coherency algorithm. Refer to Table 5-21 for the field encoding.	R/W	010

Table 5-21 Cache Coherency Attributes

C(2:0) Value	Cache Coherency Attribute
0, 1, 3*, 4, 5, 6	Cacheable, noncoherent, write-through, no write allocate
2*, 7	Uncached
<p>Note: * These two values are required by the MIPS32 architecture. In the 4K processor cores, all other values are not used. For example, values 0, 1, 4, 5 and 6 are not used and are mapped to 3. The value 7 is not used and is mapped to 2. Note that these values do have meaning in other MIPS Technologies processor implementations. Refer to the MIPS32 specification for more information.</p>	

5.2.16 Config1 Register (CP0 Register 16, Select 1)

The *Config1* register is an adjunct to the *Config* register and encodes additional capabilities information. All fields in the *Config1* register are read-only.

The instruction and data cache configuration parameters include encodings for the number of sets per way, the line size, and the associativity. The total cache size for a cache is therefore:

Associativity * Line Size * Sets Per Way

If the line size is zero, there is no cache implemented.

Config1 Register Format — Select 1

31	30	25	24	22	21	19	18	16	15	13	12	10	9	7	6	5	4	3	2	1	0
M	MMU Size	IS	IL	IA	DS	DL	DA	0	PC	WR	CA	EP	FP								

Table 5-22 Config1 Register Field Descriptions — Select 1

Fields		Description	Read/ Write	Reset State
Name	Bit(s)			
M	31	This bit is hardwired to '0' to indicate the absence of the Config2 register.	R	0
MMU Size	30:25	This field contains the number of entries in the TLB minus one. The field is read as 15 decimal in the 4Kc processor and as 0 decimal in the 4Kp and 4Km processors.	R	Preset
IS	24:22	This field contains the number of instruction cache sets per way. Three options are available. All others values are reserved: 0x0: 64 0x1: 128 0x2: 256 0x3 - 0x7: Reserved	R	Preset
IL	21:19	This field contains the instruction cache line size. If an instruction cache is present, it must contain a fixed line size of 16 bytes. 0x0: No Icache present 0x3: 16 bytes 0x1, 0x2, 0x4 - 0x7: Reserved	R	Preset
IA	18:16	This field contains the level of instruction cache associativity. 0x0: Direct mapped 0x1: 2-way 0x2: 3-way 0x3: 4-way 0x4 - 0x7: Reserved	R	Preset
DS	15:13	This field contains the number of data cache sets per way: 0x0: 64 0x1: 128 0x2: 256 0x3 - 0x7: Reserved	R	Preset

Table 5-22 *Config1* Register Field Descriptions — Select 1 (Continued)

Fields		Description	Read/ Write	Reset State
Name	Bit(s)			
DL	12:10	This field contains the data cache line size. If a data cache is present, it must contain a line size of 16 bytes. 0x0: No Dcache present 0x3: 16 bytes 0x1, 0x2, 0x4 - 0x7: Reserved	R	Preset
DA	9:7	This field contains the type of set associativity for the data cache: 0x0: Direct mapped 0x1: 2-way 0x2: 3-way 0x3: 4-way 0x4 - 0x7: Reserved	R	Preset
0	6:5	Must be written as zero; returns zero on read.	0	0
PC	4	Performance Counter registers implemented. Always a 0 since the cores do not implement any.	R	0
WR	3	Watch registers implemented. This bit always reads as 1 since the cores each contain one pair of Watch registers.	R	1
CA	2	Code compression (MIPS16™) implemented. This bit always reads as 0 because MIPS16 is not supported.	R	0
EP	1	EJTAG present: This bit is always set to indicate that the core implements EJTAG.	R	1
FP	0	FPU implemented. This bit is always zero since the core does not contain a floating-point unit.	R	0

5.2.17 Load Linked Address (CP0 Register 17, Select 0)

The *LLAddr* register contains the physical address read by the most recent Load Linked (LL) instruction. This register is for diagnostic purposes only, and serves no function during normal operation.

***LLAddr* Register Format**

31	28 27	0
0	PAddr[31:4]	

Table 5-23 *LLAddr* Register Field Descriptions

Fields		Description	Read/ Write	Reset State
Name	Bit(s)			
0	31:28	Must be written as zero; returns zero on read.	0	0
PAddr[31:4]	27:0	This field encodes the physical address read by the most recent Load Linked instruction.	R	Undefined

5.2.18 WatchLo Register (CP0 Register 18)

The *WatchLo* and *WatchHi* registers together provide the interface to a watchpoint debug facility that initiates a watch exception if an instruction or data access matches the address specified in the registers. As such, they duplicate some functions of the EJTAG debug solution. Watch exceptions are taken only if the EXL and ERL bits are zero in the *Status* register. If either bit is a one, the WP bit is set in the *Cause* register, and the watch exception is deferred until both the EXL and ERL bits are zero.

The *WatchLo* register specifies the base virtual address and the type of reference (instruction fetch, load, store) to match.

WatchLo Register Format

31	3	2	1	0	
VAddr			I	R	W

Table 5-24 WatchLo Register Field Descriptions

Fields		Description	Read/ Write	Reset State
Name	Bits			
VAddr	31:3	This field specifies the virtual address to match. Note that this is a doubleword address, since bits [2:0] are used to control the type of match.	R/W	Undefined
I	2	If this bit is set, watch exceptions are enabled for instruction fetches that match the address.	R/W	0 for Cold Reset only.
R	1	If this bit is set, watch exceptions are enabled for loads that match the address.	R/W	0 for Cold Reset only.
W	0	If this bit is set, watch exceptions are enabled for stores that match the address.	R/W	0 for Cold Reset only.

5.2.19 WatchHi Register (CP0 Register 19)

The *WatchLo* and *WatchHi* registers together provide the interface to a watchpoint debug facility that initiates a watch exception if an instruction or data access matches the address specified in the registers. As such, they duplicate some functions of the EJTAG debug solution. Watch exceptions are taken only if the EXL and ERL bits are zero in the *Status* register. If either bit is a one, the WP bit is set in the *Cause* register, and the watch exception is deferred until both the EXL and ERL bits are zero.

The *WatchHi* register contains information that qualifies the virtual address specified in the *WatchLo* register: an ASID, a Global (G) bit, and an optional address mask. If the G bit is 1, any virtual address reference that matches the specified address will cause a watch exception. If the G bit is a 0, only those virtual address references for which the ASID value in the *WatchHi* register matches the ASID value in the *EntryHi* register cause a watch exception. The optional mask field provides address masking to qualify the address specified in *WatchLo*.

WatchHi Register Format

31	30	29	24	23	16	15	12	11	3	2	0
0	G	0	ASID			0	MASK			0	

Table 5-25 WatchHi Register Field Descriptions

Fields		Description	Read/Write	Reset State
Name	Bit(s)			
0	31	Must be written as zero; returns zero on read.	0	0
G	30	4Kc core: If this bit is one, any address that matches that specified in the <i>WatchLo</i> register causes a watch exception. If this bit is zero, the ASID field of the <i>WatchHi</i> register must match the ASID field of the <i>EntryHi</i> register to cause a watch exception. 4Km/4Kp cores: Must be written as zero; returns zero on read.	4Kc core: R/W 4Km/4Kp cores: 0	Undefined
0	29:24	Must be written as zero; returns zero on read.	0	0
ASID	23:16	4Kc core: ASID value which is required to match that in the <i>EntryHi</i> register if the G bit is zero in the <i>WatchHi</i> register. 4Km/4Kp cores: Must be written as zero; returns zero on read.	4Kc core: R/W 4Km/4Kp cores: 0	Undefined
0	15:12	Must be written as zero; returns zero on read.	0	0
Mask	11:3	Bit mask that qualifies the address in the <i>WatchLo</i> register. Any bit in this field that is a set inhibits the corresponding address bit from participating in the address match.	R/W	Undefined
0	2:0	Must be written as zero; returns zero on read.	0	0

5.2.20 Debug Register (CP0 Register 23)

The *Debug* register is used to control the debug exception and provide information about the cause of the debug exception and when re-entering at the debug exception vector due to a normal exception in debug mode. The read-only information bits are updated every time the debug exception is taken or when a normal exception is taken when already in debug mode.

Only the DM bit and the EJTAGver field are valid when read from non-debug mode; the value of all other bits and fields is UNPREDICTABLE. Operation of the processor is UNDEFINED if the *Debug* register is written from non-debug mode.

Some of the bits and fields are only updated on debug exceptions and/or exceptions in debug mode, as shown below:

- DSS, DBp, DDBL, DDBS, DIB, DINT are updated on both debug exceptions and on exceptions in debug modes
- DExcCode is updated on exceptions in debug mode, and is undefined after a debug exception
- Halt and Doze are updated on a debug exception, and is undefined after an exception in debug mode
- DBD is updated on both debug and on exceptions in debug modes

All bits and fields are undefined when read from normal mode, except those explicitly described to be defined, e.g. EJTAGver and DM.

Debug Register Format

31	30	29	28	27	26	25	24	23	22	21	20	19		
DBD	DM	NoDCR	LSNM	Doze	Halt	CountDM	IBusEP	MCheckP	CacheEP	DBusEP	IEXI	DDBSImpr		
18	17	15	14	10	9	8	7	6	5	4	3	2	1	0
DDBLImpr	Ver	DExcCode			NoSST	SSt	R	DINT	DIB	DDBS	DDBL	DBp	DSS	

Table 5-26 Debug Register Field Descriptions

Fields		Description	Read/ Write	Reset State
Name	Bit(s)			
DBD	31	Indicates whether the last debug exception or exception in debug mode, occurred in a branch delay slot: 0: Not in delay slot 1: In delay slot	R	Undefined
DM	30	Indicates that the processor is operating in debug mode: 0: Processor is operating in non-debug mode 1: Processor is operating in debug mode	R	0
NoDCR	29	Indicates whether the dseg memory segment is present: 0: dseg is present 1: No dseg present	R	0
LSNM	28	Controls access of load/store between dseg and main memory: 0: Load/stores in dseg address range goes to dseg. 1: Load/stores in dseg address range goes to main memory.	R/W	0

Table 5-26 *Debug Register Field Descriptions (Continued)*

Fields		Description	Read/ Write	Reset State
Name	Bit(s)			
Doze	27	Indicates that the processor was in any kind of low power mode when a debug exception occurred: 0: Processor not in low power mode when debug exception occurred 1: Processor in low power mode when debug exception occurred	R	Undefined
Halt	26	Indicates that the internal system bus clock was stopped when the debug exception occurred: 0: Internal system bus clock stopped 1: Internal system bus clock running	R	Undefined
CountDM	25	Indicates the Count register behavior in debug mode. Encoding of the bit is: 0: Count register stopped in debug mode 1: Count register increments in debug mode	R/W	1
IBusEP	24	Instruction fetch Bus Error exception Pending. Set when an instruction fetch bus error event occurs or if a 1 is written to the bit by software. Cleared when a Bus Error exception on instruction fetch is taken by the processor, and by reset. If IBusEP is set when IEXI is cleared, a Bus Error exception on instruction fetch is taken by the processor, and IBusEP is cleared.	R/W1	0
MCheckP	23	Indicates that an imprecise Machine Check exception is pending. All Machine Check exceptions are precise on the 4K processors so this bit will always read as 0.	R	0
CacheEP	22	Indicates that an imprecise Cache Error is pending. Cache Errors cannot be taken by the 4K cores so this bit will always read as 0	R	0
DBusEP	21	Data access Bus Error exception Pending. Covers imprecise bus errors on data access, similar to behavior of IBusEP for imprecise bus errors on an instruction fetch.	R/W1	0
IEXI	20	Imprecise Error eXception Inhibit controls exceptions taken due to imprecise error indications. Set when the processor takes a debug exception or exception in debug mode. Cleared by execution of the DERET instruction. Otherwise modifiable by debug mode software. When IEXI is set then the imprecise error exceptions from bus error on instruction fetch or data access, cache error or machine check are inhibited and deferred until the bit is cleared.	R/W	0
DDBSImpr	19	Indicates that an imprecise Debug Data Break Store exception was taken. All data breaks are precise on the 4K cores, so this bit will always read as 0.	R	0
DDBLImpr	18	Indicates that an imprecise Debug Data Break Load exception was taken. All data breaks are precise on the 4K cores, so this bit will always read as 0.	R	0
Ver	17:15	EJTAG version	R	0x2

Table 5-26 *Debug Register Field Descriptions (Continued)*

Fields		Description	Read/ Write	Reset State
Name	Bit(s)			
DExcCode	14:10	Indicates the cause of the latest exception in debug mode. The field is encoded as the ExcCode field in the Cause register for those normal exceptions that may occur in debug mode. Value is undefined after a debug exception.	R	Undefined
NoSST	9	Indicates whether the single-step feature controllable by the SSt bit is available in this implementation: 0: Single-step feature available 1: No single-step feature available	R	0
SSt	8	Controls if debug single step exception is enabled: 0: No debug single step exception enabled 1: Debug single step exception enabled	R/W	0
R	7:6	Reserved. Must be written as zero; returns zero on read.	R	0
DINT	5	Indicates that a debug interrupt exception occurred. Cleared on exception in debug mode. 0: No debug interrupt exception 1: Debug interrupt exception	R/W	Undefined
DIB	4	Indicates that a debug instruction break exception occurred. Cleared on exception in debug mode. 0: No debug instruction exception 1: Debug instruction exception	R	Undefined
DDBS	3	Indicates that a debug data break exception occurred on a store. Cleared on exception in debug mode. 0: No debug data exception on a store 1: Debug instruction exception on a store	R	Undefined
DDBL	2	Indicates that a debug data break exception occurred on a load. Cleared on exception in debug mode. 0: No debug data exception on a load 1: Debug instruction exception on a load	R	Undefined
DBp	1	Indicates that a debug software breakpoint exception occurred. Cleared on exception in debug mode. 0: No debug software breakpoint exception 1: Debug software breakpoint exception	R	Undefined
DSS	0	Indicates that a debug single step exception occurred. Cleared on exception in debug mode. 0: No debug single step exception 1: Debug single step exception	R	Undefined

5.2.21 Debug Exception Program Counter Register (CP0 Register 24)

The Debug Exception Program Counter (*DEPC*) register is a read/write register that contains the address at which processing resumes after a debug exception or debug mode exception has been serviced.

For synchronous (precise) debug and debug mode exceptions, the *DEPC* contains either:

- The virtual address of the instruction that was the direct cause of the debug exception, or
- The virtual address of the immediately preceding branch or jump instruction, when the debug exception causing instruction is in a branch delay slot, and the Debug Branch Delay (BDB) bit in the *Debug* register is set.

For asynchronous debug exceptions (debug interrupt), the *DEPC* contains the virtual address of the instruction where execution should resume after the debug handler code is executed.

DEPC Register Format

31	0
DEPC	

Table 5-27 DEPC Register Formats

Fields		Description	Read/Write	Reset
Name	Bit(s)			
DEPC	31:0	<p>The <i>DEPC</i> register is updated with the virtual address of the instruction that caused the debug exception. If the instruction is in the branch delay slot, the virtual address of the immediately preceding branch or jump instruction is placed in this register.</p> <p>Execution of the DERET instruction causes a jump to the address in the <i>DEPC</i>.</p>	R/W	Undefined

5.2.22 *ErrCtl* Register (CP0 Register 26, Select 0)

The *ErrCtl* register provides a mechanism for enabling software testing of the way-select and data RAM arrays for both the ICACHE and DCACHE. The way-selection RAM test mode is enabled by setting the WST bit. It modifies the functionality of the CACHE Index Load Tag and Index Store Tag operations so that they modify the way-selection RAM and leave the Tag RAMs untouched. When this bit is set, the lower 6 bits of the PA field in the TagLo register are used as the source and destination for Index Load Tag and Index Store Tag CACHE operations.

The WST bit also enables the data RAM test mode. When this bit is set, the Index Store Data CACHE instruction is enabled. This CACHE operation writes the contents of the DataLo register to the word in the data array that is indicated by the index and byte address.

The SPR bit enables CACHE accesses to the optional Scratchpad RAMs. When this bit is set, Index Load Tag, Index Store Tag, and Index Store Data CACHE instructions will send reads or writes to the Scratchpad RAM port. The effects of these operations are dependent on the particular Scratchpad implementation.

This register was added to version 3.5 of the core. It is reserved in earlier versions.

ErrCtl Register Format

31	30	29	28	27	0
R	WST	SPR	R		

Table 5-28 *ErrCtl* Register Field Descriptions

Fields		Description	Read/Write	Reset State
Name	Bit(s)			
WST	29	Indicates whether the tag array or the way-select array should be read/written on Index Load/Store Tag CACHE instructions. Also enables the Index Store Data CACHE instruction which writes the contents of DataLo to the data array.	R/W	0
SPR	28	Forces indexed CACHE instructions to operate on the ScratchPad RAM instead of the cache	R/W	0
R	31:30, 27:0	Must be written as zero; returns zero on reads.	0	0

5.2.23 *TagLo* Register (CP0 Register 28, Select 0)

The *TagLo* register acts as the interface to the cache tag array. The Index Store Tag and Index Load Tag operations of the CACHE instruction use the *TagLo* register as the source of tag information, respectively. Note that the 4K cores does not implement the *TagHi* register.

TagLo Register Format

31	10	9	8	7	6	5	4	3	2	1	0
PA				R	Valid			R	L	LRF	R

Table 5-29 TagLo Register Field Descriptions

Fields		Description	Read/ Write	Reset State
Name	Bit(s)			
PA	31:10	This field contains the physical address of the cache line being stored.	R/W	Undefined
R	9:8	Must be written as zero; returns zero on read.	0	0
Valid	7:4	This field indicates whether the corresponding word in the cache line is valid in the cache.	R/W	Undefined
R	3	Must be written as zero; returns zero on read.	0	0
L	2	Specifies the lock bit for the cache tag. When this bit is set, the corresponding cache line should not be replaced by the cache replacement algorithm.	R/W	Undefined
LRF	1	LRF. One bit of the LRF bits for the set this cache line is a part of. This bit is inverted every time a new cache line is filled in the cache entry.	R/W	Undefined
R	0	Must be written as zero; returns zero on read.	0	0

5.2.24 *DataLo* Register (CP0 Register 28, Select 1)

The *DataLo* register acts as the interface to the cache data array. The Index Load Tag operation of the CACHE instruction reads the corresponding data values into the *DataLo* register. This register was made writeable on revision 3.5 and the Index Store Data operation of the CACHE instruction was added. This operation will write the cache data array with the value of this register. Note that the 4K cores does not implement the DataHi register.

DataLo Register Format

31	0
DATA	

Table 5-30 *DataLo* Register Field Description

Fields		Description	Read/ Write	Reset State
Name	Bit(s)			
DATA	31:0	Low-order data read from the cache data array.	R/W	Undefined

5.2.25 *ErrorEPC* (CP0 Register 30, Select 0)

The *ErrorEPC* register is a read-write register, similar to the *EPC* register, except that *ErrorEPC* is used on error exceptions. All bits of the *ErrorEPC* register are significant and must be writable. It is also used to store the program counter on Reset, Soft Reset, and non-maskable interrupt (NMI) exceptions.

The *ErrorEPC* register contains the virtual address at which instruction processing can resume after servicing an error. This address can be:

- The virtual address of the instruction that caused the exception
- The virtual address of the immediately preceding branch or jump instruction when the error causing instruction is in a branch delay slot

Unlike the *EPC* register, there is no corresponding branch delay slot indication for the *ErrorEPC* register.

***ErrorEPC* Register Format**

31	0
ErrorEPC	

Table 5-31 *ErrorEPC* Register Field Description

Fields		Description	Read/ Write	Reset State
Name	Bit(s)			
ErrorEPC	31:0	Error Exception Program Counter	R/W	Undefined

5.2.26 DeSave Register (CP0 Register 31)

The Debug Exception Save (*DeSave*) register is a read/write register that functions as a simple memory location. This register is used by the debug exception handler to save one of the GPRs that is then used to save the rest of the context to a pre-determined memory area (such as in the EJTAG Probe). This register allows the safe debugging of exception handlers and other types of code where the existence of a valid stack for context saving cannot be assumed.

DeSave Register Format

31	0
DESAVE	

Table 5-32 DeSave Register Field Description

Fields		Description	Read/ Write	Reset State
Name	Bit(s)			
DESAVE	31:0	Debug exception save contents.	R/W	Undefined

Hardware and Software Initialization

The MIPS32 4K processor cores have only a minimal amount of hardware initialization and rely on software to fully initialize the device.

This chapter contains the following sections:

- [Section 6.1, "Hardware Initialized Processor State"](#)
- [Section 6.2, "Software Initialized Processor State"](#)

6.1 Hardware Initialized Processor State

The 4K processor cores, like most MIPS processors, are not fully initialized by reset. Only a minimal subset of the processor state is cleared. This is enough to bring the core up while running in unmapped and uncached code space. All other processor states can then be initialized by software. *SI_ColdReset* is asserted after power-up to bring the device into a known state. Soft reset can be forced by asserting the *SI_Reset* pin. This can be used when the device is already up and running and does not need as much initialization.

6.1.1 Coprocessor Zero State

Much of the hardware initialization occurs in Coprocessor Zero.

- *Random* (4Kc core only) - set to maximum value on Reset
- *Wired* (4Kc core only) - set to 0 on Reset
- *Status_{BEV}* - set to 1 on Reset/SoftReset
- *Status_{TS}* - cleared to 0 on Reset/SoftReset
- *Status_{SR}* - cleared to 0 on Reset, set to 1 on SoftReset
- *Status_{NMI}* - cleared to 0 on Reset/SoftReset
- *Status_{ERL}* - set to 1 on Reset/SoftReset
- *Status_{RP}* - cleared to 0 on Reset
- *WatchLo_{I,R,W}* - cleared to 0 on Reset
- *Config* fields related to static inputs - set to input value by Reset
- *Config_{K0}* - set to 010 (uncached) on Reset
- *Config_{KU}* - set to 010 (uncached) on Reset (4Km and 4Kp cores only)
- *Config_{K23}* - set to 010 (uncached) on Reset (4Km and 4Kp cores only)
- *Debug_{DM}* - cleared to 0 on Reset/SoftReset (unless EJTAGBOOT option is used to boot into DebugMode, see [Chapter 9, "EJTAG Debug Support,"](#) for details)
- *Debug_{LSNM}* - cleared to 0 on Reset/SoftReset
- *Debug_{IBusEP}* - cleared to 0 on Reset/SoftReset
- *Debug_{DBusEP}* - cleared to 0 on Reset/SoftReset

- *DebugIEXI* - cleared to 0 on Reset/SoftReset
- *DebugSSI* - cleared to 0 on Reset/SoftReset

6.1.2 TLB Initialization (4Kc core only)

Each 4Kc TLB entry has a “hidden” state bit which is set by Reset/SoftReset and is cleared when the TLB entry is written. This bit disables matches and prevents “TLB Shutdown” conditions from being generated by the power-up values in the TLB array (when two or more TLB entries match on a single address). This bit is not visible to software.

6.1.3 Bus State Machines

All pending bus transactions are aborted and the state machines in the bus interface unit are reset when a Reset or SoftReset exception is taken.

6.1.4 Static Configuration Inputs

All static configuration inputs (defining the bus mode and cache size for example) should only be changed during Reset.

6.1.5 Fetch Address

Upon Reset/SoftReset, unless the EJTAGBOOT option is used, the fetch is directed to VA 0xBFC00000 (PA 0x1FC00000). This address is in kseg1, which is unmapped and uncached, so that the TLB and caches do not require hardware initialization.

6.2 Software Initialized Processor State

Software is required to initialize the following parts of the device.

6.2.1 Register File

The register file powers up in an unknown state with the exception of r0 which is always 0. Initializing the rest of the register file is not required for proper operation. Good code will generally not read a register before writing to it, but the boot code can initialize the register file for added safety.

6.2.2 TLB (4Kc Core Only)

Because of the hidden bit indicating initialization, the 4Kc core does not require TLB initialization upon ColdReset. This is an implementation specific feature of the 4Kc core and cannot be relied upon if writing generic code for MIPS32/64 processors. When initializing the TLB, care must be taken to avoid creating a “TLB Shutdown” condition where two TLB entries could match on a single address. Unique virtual addresses should be written to each TLB entry to avoid this.

6.2.3 Caches

The cache tag and data arrays power up to an unknown state and are not affected by reset. Every tag in the cache arrays should be initialized to an invalid state using the CACHE instruction (typically the Index Invalidate function). This can be a long process, especially since the instruction cache initialization needs to be run in an uncached address region.

6.2.4 Coprocessor Zero state

Miscellaneous Cop0 states need to be initialized prior to leaving the boot code. There are various exceptions that are blocked by ERL=1 or EXL=1 and that are not cleared by Reset. These can be cleared to avoid taking spurious exceptions when leaving the boot code.

- *Cause*: WP (Watch Pending), SW0/1 (Software Interrupts) should be cleared.
- *Config*: K0 should be set to the desired Cache Coherency Algorithm (CCA) prior to accessing kseg0.
- *Config*: (4Km and 4Kp cores only) KU and K23 should be set to the desired CCA for useg/kuseg and kseg2/3 respectively prior to accessing those regions.
- *Count*: Should be set to a known value if Timer Interrupts are used.
- *Compare*: Should be set to a known value if Timer Interrupts are used. The write to compare will also clear any pending Timer Interrupts (Thus, *Count* should be set before *Compare* to avoid any unexpected interrupts).
- *Status*: Desired state of the device should be set.
- Other Cop0 state: Other registers should be written before they are read. Some registers are not explicitly writable, and are only updated as a by-product of instruction execution or a taken exception. Uninitialized bits should be masked off after reading these registers.

Caches

This chapter describes the caches present in a MIPS32 4K processor core. It contains the following sections:

- [Section 7.1, "Introduction"](#)
- [Section 7.2, "Cache Protocols"](#)
- [Section 7.3, "Instruction Cache"](#)
- [Section 7.4, "Data Cache"](#)
- [Section 7.5, "Memory Coherence Issues"](#)

7.1 Introduction

A 4K processor core supports separate instruction and data caches which may be flexibly configured at build time for various sizes, organizations and set-associativities. The use of separate caches allows instruction and data references to proceed simultaneously. Both caches are virtually indexed and physically tagged, allowing cache access to occur in parallel with virtual-to-physical address translation.

The instruction and data caches are independently configured. For example, the data cache can be 2 KBytes in size and 2-way set associative, while the instruction cache can be 8 KBytes in size and 4-way set associative. Each cache is accessed in a single processor cycle.

Cache refills are performed using a 4-word fill buffer, which holds data returned from memory during a 4-beat burst transaction. The critical miss word is always returned first. The caches are blocking until the critical word is returned, but the pipeline may proceed while the other 3 beats of the burst are still active on the bus.

[Table 7-1](#) lists the instruction and data cache attributes:

Table 7-1 Instruction and Data Cache Attributes

Parameter	Instruction	Data
Size	0 - 16 KBytes	0 - 16 KBytes
Number of Cache Sets	0, 64, 128 and 256	0, 64, 128 and 256
Lines Per Set (Associativity)	1 - 4 way set associative	1 - 4 way set associative
Line Size	16 Bytes	16 Bytes
Read Unit	32-bits	32-bits
Write Policy	N/A	write-through without write-allocate
Miss restart after transfer of	miss word	miss word
Cache Locking	per line	per line

[Table 7-2](#) shows the cache size and organization options; note that the same total cache size may be achieved with several different set-associativities. Software can identify the instruction or data cache configuration on a 4K core by reading the appropriate bits of the *Config1* register; see [Section 5.2.16, "Config1 Register \(CP0 Register 16, Select 1\)"](#).

Table 7-2 Instruction and Data Cache Sizes

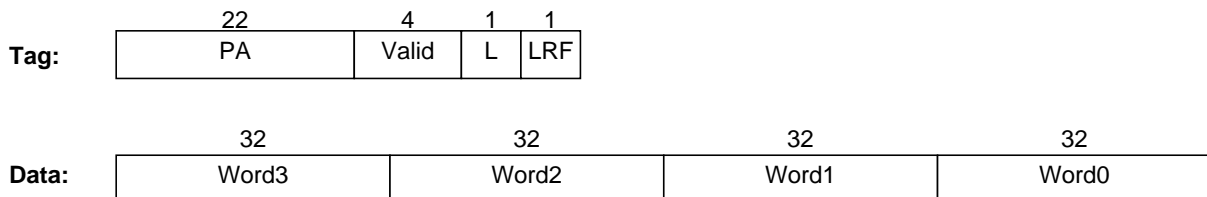
Cache Size (bytes)	Way Organization Options
0K	No cache
1K	One 1K way
2K	One 2K way Two 1K ways
3K	Three 1K ways
4K	One 4K way Two 2K ways Four 1K ways
6K	Three 2K ways
8K	Two 4K ways Four 2K ways
12K	Three 4K ways
16K	Four 4K ways

7.2 Cache Protocols

7.2.1 Cache Organization

The instruction and data caches each consist of two arrays: a tag array and a data array. The caches are virtually indexed, since a virtual address is used to select the appropriate line within both the tag and data arrays. The caches are physically tagged, as the tag array contains a physical, not virtual, address.

The tag and data arrays hold n ways of information per line, corresponding to the n -way set associativity of the cache, where n can be between 1 and 4 for a cache in a 4K core. Figure 7-1 shows the format of each line of the tag and data arrays for each way. A tag entry consists of the upper 22 bits of the physical address (bits [31:10]), 4 valid bits (one for each data word in the line), a lock bit and a LRF bit. A data entry contains the four 32-bit words in the line, for a total of 16 bytes. Not every word need be present in the data array, hence the per-word validity information stored with the tag. A word is the minimum valid quanta, so it is not possible to hold a partially valid subword. Once a valid word is resident in the cache, byte, halfword or tri-byte stores can update a portion of the word.

**Figure 7-1 Cache Array Formats**

7.2.2 Cacheability Attributes

All the The 4K cores supports the following cacheability attributes:

- **Uncached:** Addresses in a memory area indicated as uncached are not read from the cache. Stores to such addresses are written directly to main memory, without changing cache contents.
- **Write-through:** Loads and instruction fetches first search the cache, reading main memory only if the desired data does not reside in the cache. On data store operations, the cache is first searched to see if the target address is cache resident. If it is resident, the cache contents are updated, and main memory is also written. If the cache lookup misses on a store, only main memory is written. Hence, the allocation policy on a cache miss is read-allocate only.

Some segments of memory employ a fixed caching policy; for example the kseg1 is always uncacheable. Other segments of memory allow the caching policy to be selected by software. Generally, the cache policy for these programmable regions is defined by a cacheability attribute field associated with that region of memory. See [Chapter 3, “Memory Management,” on page 31](#) for further details.

7.2.3 Replacement Policy

The replacement policy refers to how a way is chosen to hold an incoming cache line on a miss which will result in a cache fill, when a cache is at least two-way set associative. In a direct mapped cache (one-way set associative), the replacement policy is irrelevant since there is only one way available. The replacement policy is least recently filled (LRF), first considering invalid ways and excluding any locked ways. On a cache miss, the valid, lock and LRF bits for each tag entry of the selected line may be used to determine the way which will be chosen. The number of tag entries which are looked at depends on the set associativity of the cache.

First the valid bits are inspected. If an invalid way is available, as determined by all 4 of the valid bits in a tag being zero, then that way will be selected. If more than one invalid way is available, then the first one found starting from way0 will be selected.

If all ways are valid, then any locked ways will be excluded from consideration for replacement. If all ways are locked, then no replacement can occur to that line. For the unlocked ways, the LRF bits from each tag are used to identify the way which has been filled least recently, and that way is selected for replacement. When the new tag is written during the line fill, its LRF bit is modified to indicate that way is no longer the least recently filled.

7.3 Instruction Cache

The instruction cache is an optional on-chip memory block of up to 16 KBytes. The virtually indexed, physically tagged cache allows the virtual-to-physical address translation to occur in parallel with the cache access rather than having to wait for the physical address translation.

All of the cores support instruction cache-locking. Cache locking allows critical code or data segments to be locked into the cache on a “per-line” basis, enabling the system programmer to maximize the efficiency of the system cache.

The cache locking function is always enabled on all instruction cache entries. Entries can then be marked as locked or unlocked on a per entry basis using the CACHE instruction.

7.4 Data Cache

The data cache is an optional on-chip memory block of up to 16 KBytes. The virtually indexed, physically tagged cache allows the virtual-to-physical address translation to occur in parallel with the cache access rather than having to wait for the physical address translation.

The core also supports a data cache locking mechanism identical to the instruction cache. Critical data segments to be locked into the cache on a “per-line” basis. The locked contents can be updated on a store hit, but cannot be selected for replacement on a miss.

The cache locking function is always enabled on all data cache entries. Entries can then be marked as locked or unlocked on a per entry basis using the CACHE instruction.

7.5 Memory Coherence Issues

A cache presents coherency issues within the memory hierarchy which must be considered in the system design. Since a cache holds a copy of memory data, it is possible for another memory master to modify a memory location, thus making other copies of that location stale if those copies are still in use. A detailed discussion of memory coherence is beyond the scope of this document, but following are a few related comments.

A 4K processor contains no direct hardware support for managing coherency with respect to its caches, so it must be handled via system design or software. The 4K caches are write-through, so all data writes will eventually be sent to memory. Due to write buffers, however, there could be a delay in how long it takes for the write to memory to actually occur. If another memory master updates cacheable memory which could also be in the 4K caches, then those locations may need to be flushed from the cache. The only way to accomplish this invalidation is by use of the CACHE instruction.

The SYNC instruction may also be useful to software enforcing memory coherence, as it flushes the 4K processor’s write buffers.

Power Management

The MIPS32 4K processor cores offers a number of power management features, including low-power design, active power management and power-down modes of operation. The core is a static design that supports a WAIT instruction designed to signal the rest of the device that execution and clocking should be halted, reducing system power consumption during idle periods.

The core provides two mechanisms for system level low power support discussed in the following sections.

- [Section 8.1, "Register-Controlled Power Management"](#)
- [Section 8.2, "Instruction-Controlled Power Management"](#)

8.1 Register-Controlled Power Management

The RP bit in the CP0 *Status* register a standard software mechanism for placing the system into a low power state. The state of the RP bit is available externally via the *SI_RP* signal. Three additional pins, *SI_EXL*, *SI_ERL*, and *EJ_DebugM* support the power management function by allowing the user to change the power state if an exception or error occurs while the core is in a low power state.

Setting the RP bit of the CP0 *Status* register causes the core to assert the *SI_RP* signal. The external agent can then decide whether to reduce the clock frequency and place the core into power down mode.

If an interrupt is taken while the device is in power down mode, that interrupt may need to be serviced depending on the needs of the application. The interrupt causes an exception which in turn causes the EXL bit to be set. The setting of the EXL bit causes the assertion of the *SI_EXL* signal on the external bus, indicating to the external agent that an interrupt has occurred. At this time the external agent can choose to either speed up the clocks and service the interrupt or let it be serviced at the lower clock speed.

The setting of the ERL bit causes the assertion of the *SI_ERL* signal on the external bus, indicating to the external agent that an error has occurred. At this time the external agent can choose to either speed up the clocks and service the error or let it be serviced at the lower clock speed.

Similarly, the *EJ_DebugM* signal indicates that the processor is in debug mode. Debug mode is entered when the processor takes a debug exception. If fast handling of this is desired, the external agent can speed up the clocks.

The core provides four power down signals that are part of the system interface. Three of the pins change state as the corresponding bits in the CP0 *Status* register are set or cleared. The fourth pin indicates that the processor is in debug mode.

- The *SI_RP* signal represents the state of the RP bit (27) in the CP0 *Status* register.
- The *SI_EXL* signal represents the state of the EXL bit (1) in the CP0 *Status* register.
- The *SI_ERL* signal represents the state of the ERL bit (2) in the CP0 *Status* register.
- The *EJ_DebugM* signal indicates that the processor has entered debug mode.

8.2 Instruction-Controlled Power Management

The second mechanism for invoking power down mode is through execution of the WAIT instruction. If the bus is idle at the time the WAIT instruction reaches the M stage of the pipeline, the internal clocks are suspended and the pipeline is frozen. However, the internal timer and some of the input pins (*SI_Int*[5:0], *SI_NMI*, *SI_Reset*, *SI_ColdReset*, and *EJ_DINT*) continue to run. If the bus is not idle at the time the WAIT instruction reaches the M stage, the pipeline stalls until the bus becomes idle, at which time the clocks are stopped. Once the CPU is in instruction controlled power management mode, any enabled interrupt, NMI, debug interrupt, or reset condition causes the CPU to exit this mode and resume normal operation. While the part is in this low-power mode, the *SI_SLEEP* signal is asserted to indicate to external agents what the state of the chip is.

EJTAG Debug Support

The EJTAG debug logic in the MIPS32 4K processor cores provides two optional modules: one for hardware breakpoints, and the other is a Test Access Port (TAP) for a dedicated connection to a debug host.

This chapter contains the following sections.

- [Section 9.1, "Debug Control Register"](#)
- [Section 9.2, "Hardware Breakpoints"](#)
- [Section 9.3, "Test Access Port \(TAP\)"](#)
- [Section 9.4, "EJTAG TAP Registers"](#)
- [Section 9.5, "Processor Accesses"](#)

9.1 Debug Control Register

The Debug Control Register (*DCR*) register controls and provides information about debug issues, and is always provided with the CPU core. The register is memory mapped in *drseg* at offset 0x0.

The *DataBrk* and *InstBrk* bits indicates if hardware breakpoints are included in the implementation, and debug software is expected to read hardware breakpoint registers for additional information.

Hardware and software interrupts are maskable for non-debug mode with the *INTE* bit, which works in addition to the other mechanisms for interrupt masking and enabling. *NMI* is maskable in non-debug mode with the *NMIE* bit, and a pending *NMI* is indicated through the *NMIP* bit.

The *SRE* bit allows implementation dependent masking of none, some or all sources for soft reset. The soft reset masking may only be applied to a soft reset source, if that source can be efficiently masked in the system, thus resulting on no reset at all. If that is not possible, then that soft reset source should not be masked, since a “half” soft reset may cause the system to fail or hang. There is no automatic indication of whether the *SRE* is effective, but the user must consult system documentation.

The *PE* bit reflects the *ProbEn* bit from the EJTAG Control register (*ECR*), whereby the probe can indicate to the debug software running on the CPU if the probe expects to service *dmseg* accesses. The reset value in the table below takes effect on both hard and soft reset.

Debug Control Register

31	30	29	28				18	17	16	15					5	4	3	2	1	0
Res	ENM			Res			DB	IB			Res				INTE	NMIE	NMIP	SRE	PE	

Table 9-1 Debug Control Register Field Descriptions

Fields		Description	Read/ Write	Reset State
Name	Bit(s)			
Res	31:30	reserved	R	0
ENM	29	Endianess in Kernel and Debug mode. This bit indicates the endianess in Kernel and Debug mode. 0: Little Endian 1: Big Endian	R	Preset
Res	28:18	reserved	R	0
DB	17	Data Break Implemented. This bit indicates if the Data Break feature is implemented. 0: No Data Break feature implemented 1: Data Break feature is implemented	R	Preset
IB	16	Instruction Break Implemented. This bit indicates if the Instruction Break feature is implemented. 0: No Instruction Break feature implemented 1: Instruction Break feature is implemented	R	Preset
Res	15:5	reserved	R	0

Table 9-1 Debug Control Register Field Descriptions (Continued)

Fields		Description	Read/ Write	Reset State
Name	Bit(s)			
INTE	4	Interrupt Enable in Normal Mode. This bit provides the hardware and software interrupt enable for non-debug mode, in addition to other masking mechanisms: 0: Interrupt disabled. 1: Interrupts enabled (depending on other enabling mechanisms).	R/W	1
NMIE	3	Non-Maskable Interrupt Enable for non-debug mode. 0: NMI disabled. 1: NMI enabled.	R/W	1
NMIP	2	NMI Pending Indication. 0: No NMI pending. 1: NMI pending.	R	0
SRE	1	Soft Reset Enable. This bit allows the system to mask soft resets. The core does not internally mask soft reset. Rather the state of this bit appears on the <i>EJ_SRSrE</i> external output signal, allowing the system to mask soft resets if desired.	R/W	1
PE	0	Probe Enable. This bit reflects the ProbEn bit in the EJTAG Control register. 0: No accesses to dmseg allowed 1: EJTAG probe services accesses to dmseg	R	Same value as ProbEn in ECR (see Table 9-23)

9.2 Hardware Breakpoints

Hardware breakpoints provide for the comparison by hardware of executed instructions and data load/store transactions. It is possible to set instruction breakpoints on addresses even in ROM area, and set data breakpoints to cause a debug exception on a specific data transaction. Instruction and data hardware breakpoints are alike for many aspects, and are thus described in parallel in the following. The term hardware is not applied to breakpoint, unless required to distinguish it from software breakpoint.

There are two types of simple hardware breakpoints implemented in the 4K cores: Instruction breakpoints and Data breakpoints.

Each core can be configured with the following breakpoint options:

- No data or instruction breakpoints
- Two instruction and one data breakpoint
- Four instruction and two data breakpoints

9.2.1 Features of Instruction Breakpoint

Instruction breaks occur on instruction fetch operations and the break is set on the virtual address on the bus between the CPU and the instruction cache. Instruction breaks can also be made on the ASID value used by the MMU (4Kc core only). Finally, a mask can be applied to the virtual address to set breakpoints on a range of instructions.

Instruction breakpoints compare the virtual address of the executed instructions (PC) and the ASID, with the registers for each instruction breakpoint including masking of address and ASID. An overview is shown in [Figure 9-1](#) and [Figure 9-2](#).

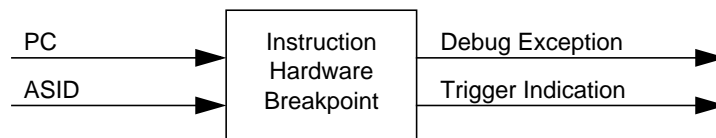


Figure 9-1 Instruction Hardware Breakpoint Overview (4Kc Core)

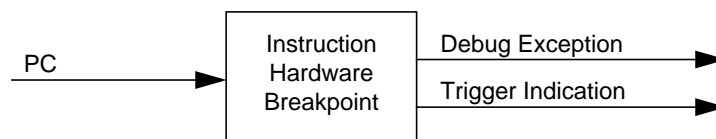


Figure 9-2 Instruction Hardware Breakpoint Overview (4Km and 4Kp Core)

When an instruction breakpoint matches, a debug exception and/or a trigger is generated. An internal bit in the instruction breakpoint registers is set to indicate that the match occurred.

9.2.2 Features of Data Breakpoint

Data breakpoints occur on load/store transactions. Breakpoints are set on virtual address and ASID values, similar to the Instruction breakpoint. Data breakpoints can be set on a load, a store or both. Data breakpoints can also be set based on the value of the load/store operation. Finally, masks can be applied to both the virtual address and the load/store value.

Data breakpoints compare the transaction type (TYPE), which may be load or store, the virtual address of the transaction (ADDR), the ASID, accessed bytes (BYTELANE) and data value (DATA), with the registers for each data breakpoint including masking or qualification on the transaction properties. An overview is shown in [Figure 9-3](#) and [Figure 9-4](#).

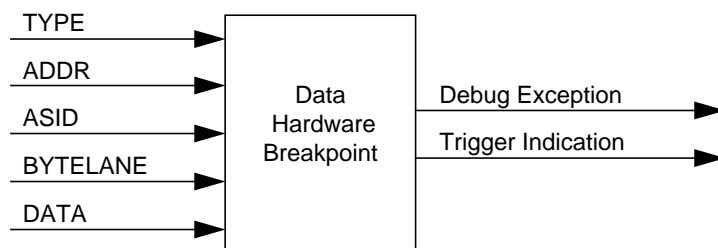


Figure 9-3 Data Hardware Breakpoint Overview (4Kc Core)

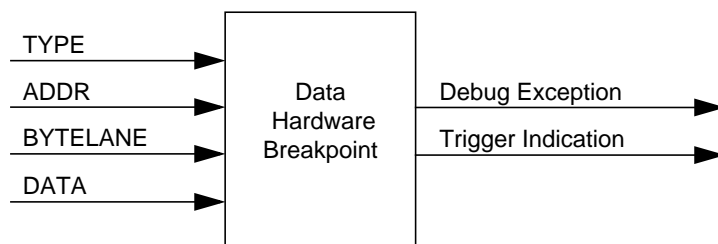


Figure 9-4 Data Hardware Breakpoint Overview (4Km/4Kp Core)

When a data breakpoint matches, a debug exception and/or a trigger is generated, and an internal bit in the data breakpoint registers is set to indicate that the match occurred. The match is either precise whereby the debug exception or trigger occurs on the instruction that caused the breakpoint to match, or it is imprecise whereby the debug exception or trigger occurs later in the program flow.

9.2.3 Overview of Registers for Instruction Breakpoints

The register with implementation indication and status for instruction breakpoints in general is shown in [Table 9-2](#).

Table 9-2 Overview of Status Register for Instruction Breakpoints

Register Mnemonic	Register Name and Description
<i>IBS</i>	Instruction Breakpoint Status

The four instruction breakpoints are numbered 0 to 3 for registers and breakpoints, and the number is indicated by n. The registers for each breakpoint are shown in [Table 9-3](#).

Table 9-3 Overview of Registers for each Instruction Breakpoint

Register Mnemonic	Register Name and Description
<i>IBAn</i>	Instruction Breakpoint Address n
<i>IBMn</i>	Instruction Breakpoint Address Mask n
<i>IBASIDn</i>	Instruction Breakpoint ASID n (4Kc core)
<i>IBCn</i>	Instruction Breakpoint Control n

9.2.4 Registers for Data Breakpoint Setup

The register with implementation indication and status for data breakpoints in general is shown in [Table 9-4](#).

Table 9-4 Overview of Status Register for Data Breakpoints

Register Mnemonic	Register Name and Description
<i>DBS</i>	Data Breakpoint Status

The two data breakpoints are numbered 0 and 1 for registers and breakpoints, and the number is indicated by n. The registers for each breakpoint are shown in [Table 9-5](#).

Table 9-5 Overview of Registers for each Data Breakpoint

Register Mnemonic	Register Name and Description
<i>DBAn</i>	Data Breakpoint Address n
<i>DBMn</i>	Data Breakpoint Address Mask n
<i>DBASIDn</i>	Data Breakpoint ASID n (4Kc core)
<i>DBCn</i>	Data Breakpoint Control n
<i>DBVn</i>	Data Breakpoint Value n

9.2.5 Conditions for Matching Breakpoints

A number of conditions must be fulfilled in order for a breakpoint to match on an executed instruction or a data transaction, and the conditions for matching instruction and data breakpoints are described below. The breakpoints only match for instructions executed in non-debug mode, thus never on instructions executed in debug mode.

The match of an enabled breakpoint can either generate a debug exception or a trigger indication. The BE and/or TE bits in the *IBCn* or *DBCn* registers are used to enable the breakpoints.

Debug software should not configure breakpoints to compare on ASID value, unless a TLB is present in the implementation (4Kc core only).

9.2.5.1 Conditions for Matching Instruction Breakpoint

When an instruction breakpoint is enabled, that breakpoint is evaluated for the address of every executed instruction in non-debug mode, including execution of instructions at an address causing an address error on instruction fetch. The breakpoint is not evaluated on instructions from speculative fetch or execution, nor for addresses which are unaligned with an executed instruction.

Match of the breakpoint depends on the virtual address of the executed instruction (PC) which can be masked at bit level, and match may also include optional compare of ASID value. The registers for each instruction breakpoint have the values and mask used in the compare, and the equation that determines the match is shown below in C-like notation.

```

IB_match =
    ( ! IBCn_ASIDuse || ( ASID == IBASIDn_ASID ) ) &&
    ( <all 1's> == ( IBMn_IBM | ~ ( PC ^ IBAn_IBA ) ) )

```

The match indication for instruction breakpoints is always precise, i.e. indicated on the instruction causing the *IB_match* to be true.

9.2.5.2 Conditions for Matching Data Breakpoints

When a data breakpoint is enabled, that breakpoint is evaluated for every data transaction due to a load/store instruction executed in non-debug mode, including load/store for coprocessor, and transactions causing an address error on data access. The breakpoint is not evaluated due to PREF instruction or other transactions which are not part of explicit load/store transactions in the execution flow, nor for addresses which are not the explicit load/store source or destination address.

Match of the breakpoint depends on the transaction type (TYPE) as load or store, the address, and optionally the data value of a transaction. The registers for each data breakpoint has the values and mask used in the compare, and the equations that determine the match are shown below in C-like notation.

The overall match equation is DB_match:

```
DB_match =
    ( ( ( TYPE == load ) && ! DBCn_NoLB ) ||
      ( ( TYPE == store ) && ! DBCn_NoSB ) ) &&
    DB_addr_match && ( DB_no_value_compare || DB_value_match )
```

Match on the address part, DB_addr_match, depends on virtual address of the transaction (ADDR), the ASID value, and the accessed bytes (BYTELANE) where BYTELANE[0] is 1 only if the byte at bits [7:0] on the bus is accessed, and BYTELANE[1] is 1 only if byte at bits [15:8] is accessed, etc. The DB_addr_match is shown below.

```
DB_addr_match =
    ( ! DBCn_ASIDuse || ( ASID == DBASIDn_ASID ) ) &&
    ( <all 1's> == ( DBMn_DBM | ~ ( ADDR ^ DBAn_DBA ) ) ) &&
    ( <all 0's> != ( ~ BAI & BYTELANE ) )
```

The size of $DBCn_{BAI}$ and BYTELANE is 4 bits.

Data value compare is included in the match condition for the data breakpoint depending on the bytes (BYTELANE as described above) accessed by the transaction, and the contents of breakpoint registers. The DB_no_value_compare is shown below.

```
DB_no_value_compare =
    ( <all 1's> == ( DBCn_BLM | DBCn_BAI | ~ BYTELANE ) )
```

The size of $DBCn_{BLM}$, $DBCn_{BAI}$, and BYTELANE is 4 bits.

In case data value compare is required, DB_no_value_compare is false, then the data value from the data bus (DATA) is compared and masked with the registers for the data breakpoint. The endianness is not considered in these match equations for value, as the compare uses the data bus value directly, thus debug software is responsible for setup of the breakpoint corresponding with endianness.

```
DB_value_match =
    ( ( DATA[7:0] == DBVn_DBV[7:0] ) || ! BYTELANE[0] || DBCn_BLM[0] || DBCn_BAI[0] ) &&
    ( ( DATA[15:8] == DBVn_DBV[15:8] ) || ! BYTELANE[1] || DBCn_BLM[1] || DBCn_BAI[1] ) &&
    ( ( DATA[23:16] == DBVn_DBV[23:16] ) || ! BYTELANE[2] || DBCn_BLM[2] || DBCn_BAI[2] ) &&
    ( ( DATA[31:24] == DBVn_DBV[31:24] ) || ! BYTELANE[3] || DBCn_BLM[3] || DBCn_BAI[3] )
```

The match for a data breakpoint is always precise, since the match expression is fully evaluated at the time the load/store instruction is executed. A true DB_match can thereby be indicated on the very same instruction causing the DB_match to be true.

9.2.6 Debug Exceptions from Breakpoints

Instruction and data breakpoints may be set up to generate a debug exception when the match condition is true, as described below.

9.2.6.1 Debug Exception by Instruction Breakpoint

If the breakpoint is enabled by BE in the *IBCn* register, then a debug instruction break exception occurs if the IB_match equation is true. The corresponding BS[n] bit in the *IBS* register is set when the breakpoint generates the debug exception.

The debug instruction break exception is always precise, so the *DEPC* register and DBD bit in the *Debug* register points to the instruction that caused the IB_match equation to be true.

The instruction receiving the debug exception does not update any registers due to the instruction, nor does any load or store by that instruction occur. Thus a debug exception from a data breakpoint can not occur for instructions receiving a debug instruction break exception.

The debug handler usually returns to the instruction causing the debug instruction break exception, whereby the instruction is executed. Debug software is responsible for disabling the breakpoint when returning to the instruction, otherwise the debug instruction break exception reoccurs.

9.2.6.2 Debug Exception by Data Breakpoint

If the breakpoint is enabled by BE in the *DBCn* register, then a debug exception occurs when the DB_match condition is true. The corresponding BS[n] bit in the *DBS* register is set when the breakpoint generates the debug exception.

A debug data break exception occurs when a data breakpoint indicates a match. In this case the *DEPC* register and DBD bit in the *Debug* register points to the instruction that caused the DB_match equation to be true.

The instruction causing the debug data break exception does not update any registers due to the instruction, and the following applies to the load or store transaction causing the debug exception:

- A store transaction is not allowed to complete the store to the memory system.
- A load transaction with no data value compare, i.e. where the DB_no_value_compare is true for the match, is not allowed to complete the load.
- A load transaction for a breakpoint with data value compare must occur from the memory system, since the value is required in order to evaluate the breakpoint.

The result of this is that the load or store instruction causing the debug data break exception appears as not executed, with the exception that a load from the memory system do occur for a breakpoint with data value compare, but the result of this load is discarded since the register file is not updated by the load.

If both data breakpoints without and with data value compare would match the same transaction and generate a debug exception, then the following rules apply with respect to updating the BS[n] bits.

- On both a load and store the BS[n] bits are required to be set for all matching breakpoints without data value compare.
- On a store then BS[n] bits are allowed but not required to be set for all matching breakpoints with data value compare, but either all or none of the BS[n] bits must be set for these breakpoints.
- On a load then no of the BS[n] bits are allowed to be set, since the load is not allowed to occur due to the debug exception from a breakpoint without data value compare, and a valid data value is therefore not returned.

Any BS[n] bit set prior to the match and debug exception are kept set, since BS[n] bits are only cleared by debug software.

The debug handler usually returns to the instruction causing the debug data break exception, whereby the instruction is re-executed. This re-execution may result in a repeated load from system memory, since the load may have occurred previously in order to evaluate the breakpoint as described above. I/O devices with side effects on load must be able to

allow such reloads, or debug software should alternatively avoid setting data breakpoint with data value compare on such I/O devices. Debug software is responsible for disabling breakpoints when returning to the instruction, otherwise the debug data break exception will reoccur.

9.2.7 Breakpoint used as Triggerpoint

Both instruction and data hardware breakpoints may be set up by software so a matching breakpoint does not generate a debug exception, but only an indications through the BS[n] bit. The TE bit in the *IBCn* or *DBCn* register controls if a instruction respectively data breakpoint is used as a so-called triggerpoint. The triggerpoints are, like breakpoints, only compared for instructions executed in non-debug mode.

The BS[n] bit in the *IBS* or *DBS* register is set when the respective IB_match or DB_match bit is true.

9.2.8 Instruction Breakpoint Registers

The registers for instruction breakpoints are described below. These registers have implementation information and are used to set up the instruction breakpoints. All registers are in drseg, and the addresses are shown in [Table 9-6](#).

Table 9-6 Addresses for Instruction Breakpoint Registers

Offset in drseg	Register Mnemonic	Register Name and Description
0x1000	<i>IBS</i>	Instruction Breakpoint Status
0x1100 + n * 0x100	<i>IBAn</i>	Instruction Breakpoint Address n
0x1108 + n * 0x100	<i>IBMn</i>	Instruction Breakpoint Address Mask n
0x1110 + n * 0x100	<i>IBASIDn</i>	Instruction Breakpoint ASID n (4Kc core)
0x1118 + n * 0x100	<i>IBCn</i>	Instruction Breakpoint Control n
Note: n is breakpoint number in range 0 to 3 (or 0 to 1, depending on the implemented hardware)		

An example of some of the registers; *IBA0* is at offset 0x1100 and *IBC2* is at offset 0x1318.

9.2.8.1 Instruction Breakpoint Status (*IBS*) Register

Compliance Level: Implemented only if any instruction breakpoints.

The Instruction Breakpoint Status (*IBS*) register holds implementation and status information about the instruction breakpoints.

The ASID applies to all the instruction breakpoints for the 4K core.

***IBS* Register Format**

31	30	29	28	27	24	23	4	3	0
Res	ASID sup	Res	BCN			Res			BS

Table 9-7 *IBS* Register Field Descriptions

Fields		Description	Read/Write	Reset State
Name	Bit(s)			
Res	31	Must be written as zero; returns zero on read.	0	0
ASIDsup	30	This bit indicates that ASID compare is supported in instruction breakpoints (4Kc core). Must be written as zero; returns zero on read (4Km/4Kp cores).	4Kc cores: R 4Km/4Kp cores: 0	4Kc core - 1 4Km/4Kp cores - 0
Res	29:28	Must be written as zero; returns zero on read.	0	0
BCN	27:24	Number of instruction breakpoints implemented	R	4 or 2 ^a
Res	23:4	Must be written as zero; returns zero on read.	0	0
BS	3:0	Break status for breakpoint n is at BS[n], with n as 0 to 3 ^b . The bit is set to 1 when the condition for the corresponding breakpoint has matched.	R/W	Undefined

Note: [a] Based on actual hardware implemented.
Note: [b] In case of only 2 Instruction breakpoints, bit 2 and 3 become reserved.

9.2.8.2 Instruction Breakpoint Address n (*IBAn*) Register

Compliance Level: Implemented only for implemented instruction breakpoints.

The Instruction Breakpoint Address n (*IBAn*) register has the address used in the condition for instruction breakpoint n.

***IBAn* Register Format**

31	0
IBA	

Table 9-8 *IBAn* Register Field Descriptions

Fields		Description	Read/ Write	Reset State
Name	Bit(s)			
IBA	31:0	Instruction breakpoint address for condition	R/W	Undefined

9.2.8.3 Instruction Breakpoint Address Mask n (*IBMn*) Register

Compliance Level: Implemented only for implemented instruction breakpoints.

The Instruction Breakpoint Address Mask n (*IBMn*) register has the mask for address compare used in the condition for instruction breakpoint n.

***IBMn* Register Format**

31	0
IBM	

Table 9-9 *IBMn* Register Field Descriptions

Fields		Description	Read/ Write	Reset State
Name	Bit(s)			
IBM	31:0	Instruction breakpoint address mask for condition: 0: Corresponding address bit not masked 1: Corresponding address bit masked	R/W	Undefined

9.2.8.4 Instruction Breakpoint ASID n (*IBASIDn*) Register

Compliance Level: Implemented only for implemented instruction breakpoints.

The Instruction Breakpoint ASID n (*IBASIDn*) register has the ASID value used in the compare for instruction breakpoint n. The number of bits in the ASID field is 8, to match the ASID size in the TLB.

This register is only valid for the 4Kc core.

***IBASIDn* Register Format**

31	8 7	0
Res	ASID	

Table 9-10 *IBASIDn* Register Field Descriptions

Fields		Description	Read/ Write	Reset State
Name	Bit(s)			
Res	31:8	Must be written as zero; returns zero on read.	0	0
ASID	7:0	Instruction breakpoint ASID value for compare:	R/W	Undefined

9.2.8.5 Instruction Breakpoint Control n (*IBCn*) Register

Compliance Level: Implemented only for implemented instruction breakpoints.

The Instruction Breakpoint Control n (*IBCn*) register controls setup of instruction breakpoint n.

***IBCn* Register Format**

31	24	23	22	3	2	1	0
Res	ASID use	Res			TE	Res	BE

Table 9-11 *IBCn* Register Field Descriptions

Fields		Description	Read/ Write	Reset State
Name	Bits			
Res	31:24	Must be written as zero; returns zero on read.	0	0
ASIDuse	23	Use ASID value in compare for instruction breakpoint n (4Kc core): 0: Don't use ASID value in compare 1: Use ASID value in compare Must be written as zero; returns zero on read (4Km/4Kp cores).	4Kc core - R/W 4Km/4Kp cores - 0	Undefined
Res	22:3	Must be written as zero; returns zero on read.	0	0
TE	2	Use instruction breakpoint n as triggerpoint: 0: Don't use it as triggerpoint 1: Use it as triggerpoint	R/W	0
Res	1	Must be written as zero; returns zero on read.	0	0
BE	0	Use instruction breakpoint n as breakpoint: 0: Don't use it as breakpoint 1: Use it as breakpoint	R/W	0

9.2.9 Data Breakpoint Registers

The registers for data breakpoints are described below. These registers have implementation information and are used to set up the data breakpoints. All registers are in *drseg*, and the addresses are shown in section [Table 9-12](#).

Table 9-12 Addresses for Data Breakpoint Registers

Offset in <i>drseg</i>	Register Mnemonic	Register Name and Description
0x2000	<i>DBS</i>	Data Breakpoint Status
0x2100 + 0x100 * n	<i>DBAn</i>	Data Breakpoint Address n
0x2108 + 0x100 * n	<i>DBMn</i>	Data Breakpoint Address Mask n
0x2110 + 0x100 * n	<i>DBASIDn</i>	Data Breakpoint ASID n (4K core)
0x2118 + 0x100 * n	<i>DBCn</i>	Data Breakpoint Control n
0x2120 + 0x100 * n	<i>DBVn</i>	Data Breakpoint Value n
Note: n is breakpoint number as 0 or 1 (or just 0, depending on the implemented hardware)		

An example of some of the registers; *DBM0* is at offset 0x2108 and *DBV1* is at offset 0x2220.

9.2.9.1 Data Breakpoint Status (DBS) Register

Compliance Level: Implemented only if any data breakpoints.

The Data Breakpoint Status (DBS) register holds implementation and status information about the data breakpoints.

The ASID applies to all the data breakpoints for the 4Kc core.

DBS Register Format

31	30	29	28	27	24	23	2	1	0
Res	ASID sup	Res	BCN				Res		BS

Table 9-13 DBS Register Field Descriptions

Fields		Description	Read/ Write	Reset State
Name	Bit(s)			
Res	31	Must be written as zero; returns zero on read.	0	0
ASIDsup	30	4Kc core: Indicates that ASID compare is supported in data breakpoints. 4Km/4Kp cores: Must be written as zero; returns zero on read.	4Kc core: R 4Km/4Kp cores: 0	4Kc core - 1 4Km/4Kp cores - 0
Res	29:28	Must be written as zero; returns zero on read.	0	0
BCN	27:24	Number of data breakpoints implemented	R	2 or 1 ^a
Res	23:2	Must be written as zero; returns zero on read.	0	0
BS	1:0	Break status for breakpoint n is at BS[n], with n as 0 to 1 ^b . The bit is set to 1 when the condition for the corresponding breakpoint has matched.	R/W0	Undefined
Note: [a] Based on actual hardware implemented.				
Note: [b] In case of only 1 data breakpoint bit 1 become reserved.				

9.2.9.2 Data Breakpoint Address n (*DBAn*) Register

Compliance Level: Implemented only for implemented data breakpoints.

The Data Breakpoint Address n (*DBAn*) register has the address used in the condition for data breakpoint n.

DBAn Register Format

31	0
DBA	

Table 9-14 *DBAn* Register Field Descriptions

Fields		Description	Read/ Write	Reset State
Name	Bit(s)			
DBA	31:0	Data breakpoint address for condition	R/W	Undefined

9.2.9.3 Data Breakpoint Address Mask n (*DBMn*) Register

Compliance Level: Implemented only for implemented data breakpoints.

The Data Breakpoint Address Mask n (*DBMn*) register has the mask for address compare used in the condition for data breakpoint n.

***DBMn* Register Format**

31	0
DBM	

Table 9-15 *DBMn* Register Field Descriptions

Fields		Description	Read/ Write	Reset State
Name	Bit(s)			
DBM	31:0	Data breakpoint address mask for condition: 0: Corresponding address bit not masked 1: Corresponding address bit masked	R/W	Undefined

9.2.9.4 Data Breakpoint ASID n (*DBASIDn*) Register

Compliance Level: Implemented only for implemented data breakpoints.

The Data Breakpoint ASID n (*DBASIDn*) register has the ASID value used in the compare for data breakpoint n.

This register is only valid in the 4Kc core.

***DBASIDn* Register Format**

31	8 7	0
Res	ASID	

Table 9-16 *DBASIDn* Register Field Descriptions

Fields		Description	Read/ Write	Reset State
Name	Bit(s)			
Res	31:8	Must be written as zero; returns zero on read.	0	0
ASID	7:0	Data breakpoint ASID value for compare:	R/W	Undefined

9.2.9.5 Data Breakpoint Control n (*DBCn*) Register

Compliance Level: Implemented only for implemented data breakpoints.

The Data Breakpoint Control n (*DBCn*) register controls setup of data breakpoint n.

***DBCn* Register Format**

31	24	23	22	18	17	14	13	12	11	8	7	4	3	2	1	0
Re		ASID use	Res		BAI		NoSB	NoLB	Res		BLM		Res	TE	Res	BE

Table 9-17 *DBCn* Register Field Descriptions

Fields		Description	Read/Write	Reset State
Name	Bits			
Res	31:24	Must be written as zero; returns zero on read.	0	0
ASIDuse	23	Use ASID value in compare for data breakpoint n (4Kc core): 0: Don't use ASID value in compare 1: Use ASID value in compare Must be written as zero; returns zero on read (4Km/4Kp cores).	4Kc core - R/W 4Km/4Kp cores - 0	Undefined
Res	22:18	Must be written as zero; returns zero on read.	0	0
BAI	17:14	Byte access ignore controls ignore of access to specific byte. BAI[0] ignores access to byte at bits [7:0] of the data bus, BAI[1] ignores access to byte at bits [15:8], etc.: 0: Condition depends on access to corresponding byte 1: Access for corresponding byte is ignored	R/W	Undefined
NoSB	13	Controls if condition for data breakpoint is never fulfilled on a store transaction: 0: Condition may be fulfilled on store transaction 1: Condition is never fulfilled on store transaction	R/W	Undefined
NoLB	12	Controls if condition for data breakpoint is never fulfilled on a load transaction: 0: Condition may be fulfilled on load transaction 1: Condition is never fulfilled on load transaction	R/W	Undefined
Res	11:8	Must be written as zero; returns zero on read.	0	0
BLM	7:4	Byte lane mask for value compare on data breakpoint. BLM[0] masks byte at bits [7:0] of the data bus, BLM[1] masks byte at bits [15:8], etc.: 0: Compare corresponding byte lane 1: Mask corresponding byte lane	R/W	Undefined
Res	3	Must be written as zero; returns zero on read.	0	0

Table 9-17 DBCn Register Field Descriptions (Continued)

Fields		Description	Read/Write	Reset State
Name	Bits			
TE	2	Use data breakpoint n as triggerpoint: 0: Don't use it as triggerpoint 1: Use it as triggerpoint	R/W	0
Res	1	Must be written as zero; returns zero on read.	0	0
BE	0	Use data breakpoint n as breakpoint: 0: Don't use it as breakpoint 1: Use it as breakpoint	R/W	0

9.2.9.6 Data Breakpoint Value n (*DBV_n*) Register

Compliance Level: Implemented only for implemented data breakpoints.

The Data Breakpoint Value n (*DBV_n*) register has the value used in the condition for data breakpoint n.

DBV_n Register Format

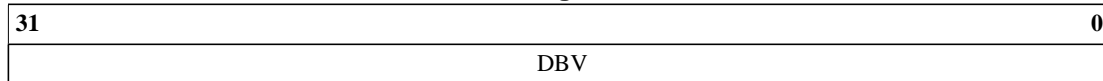


Table 9-18 *DBV_n* Register Field Descriptions

Fields		Description	Read/ Write	Reset State
Name	Bit(s)			
DBV	31:0	Data breakpoint value for condition	R/W	Undefined

9.3 Test Access Port (TAP)

The following main features are supported by the TAP module:

- 5-pin industry standard JTAG Test Access Port (*TCK*, *TMS*, *TDI*, *TDO*, *TRST_N*) interface, which is compatible with IEEE Std. 1149.1.
- Target chip and EJTAG feature identification available through the Test Access Port (TAP) controller.
- The processor can access external memory on the EJTAG Probe serially through the EJTAG pins. This is achieved through so-called Processor Access (PA), and is used to eliminate the use of the user's system memory for debug routines.
- Support for both ROM based debugger and debugging both through TAP.

9.3.1 EJTAG Internal and External Interfaces

The external interface of the EJTAG Module consists of the 5 signals defined by the IEEE standard.

Table 9-19 EJTAG Interface Pins

Pin	Type	Description
<i>TCK</i>	I	Test Clock Input Input clock used to shift data into or out of the Instruction or data registers. The <i>TCK</i> clock is independent of the processor clock, so the EJTAG probe can drive <i>TCK</i> independently of the processor clock frequency. The core signal for this is called <i>EJ_TCK</i>
<i>TMS</i>	I	Test Mode Select Input The <i>TMS</i> input signal is decoded by the TAP controller to control test operation. <i>TMS</i> is sampled on the rising edge of <i>TCK</i> . The core signal for this is called <i>EJ_TMS</i>
<i>TDI</i>	I	Test Data Input Serial input data (<i>TDI</i>) is shifted into the Instruction register or data registers on the rising edge of the <i>TCK</i> clock, depending on the TAP controller state. The core signal for this is called <i>EJ_TDI</i>
<i>TDO</i>	O	Test Data Output Serial output data is shifted from the Instruction or data register to the <i>TDO</i> pin at the falling edge of the <i>TCK</i> clock. When no data is shifted out, the <i>TDO</i> is 3-stated. The core signal for this is called <i>EJ_TDO</i> with output enable control by <i>EJ_TDOzstate</i> .

Table 9-19 EJTAG Interface Pins (Continued)

Pin	Type	Description
<i>TRST_N</i>	I	<p>Test Reset Input (Optional pin)</p> <p>The <i>TRST_N</i> pin is an active-low signal for asynchronous reset of the TAP controller and instruction in the TAP module, independent of the processor logic. The processor is not reset by the assertion of <i>TRST_N</i>.</p> <p>The core signal for this is called <i>EJ_TRST_N</i></p> <p>This signal is optional, but power-on reset must apply a low pulse on this signal at power-on and then leave it high, in case the signal is not available as a pin on the chip. If available on the chip, then it must be low on the board when the EJTAG debug features are unused by the probe.</p>

9.3.2 Test Access Port Operation

The TAP controller is controlled by the Test Clock (*TCK*) and Test Mode Select (*TMS*) inputs. These two inputs determine whether an the Instruction register scan or data register scan is performed. The TAP consists of a small controller, driven by the *TCK* input, which responds to the *TMS* input as shown in the state diagram in [Figure 9-5](#). The TAP uses both clock edges of *TCK*. *TMS* and *TDI* are sampled on the rising edge of *TCK*, while *TDO* changes on the falling edge of *TCK*.

At power-up the TAP is forced into the *Test-Logic-Reset* either by low value on *TRST_N*. The TAP instruction register is thereby reset to *IDCODE*. No other parts of the EJTAG hardware are reset through the *Test-Logic-Reset* state.

When test access is required, a protocol is applied via the *TMS* and *TCK* inputs, causing the TAP to exit the *Test-Logic-Reset* state and move through the appropriate states. From the *Run-Test/Idle* state, an Instruction register scan or a data register scan can be issued to transition the TAP through the appropriate states shown in [Figure 9-5](#).

The states of the data and instruction register scan blocks are mirror images of each other adding symmetry to the protocol sequences. The first action that occurs when either block is entered is a capture operation. For the data registers, the *Capture-DR* state is used to capture (or parallel load) the data into the selected serial data path. In the Instruction register, the *Capture-IR* state is used to capture status information into the Instruction register.

From the *Capture* states, the TAP transitions to either the *Shift* or *Exit1* states. Normally the *Shift* state follows the *Capture* state so that test data or status information can be shifted out for inspection and new data shifted in. Following the *Shift* state, the TAP either returns to the *Run-Test/Idle* state via the *Exit1* and *Update* states or enters the *Pause* state via *Exit1*. The reason for entering the *Pause* state is to temporarily suspend the shifting of data through either the Data or Instruction Register while a required operation, such as refilling a host memory buffer, is performed. From the *Pause* state shifting can resume by re-entering the *Shift* state via the *Exit2* state or terminated by entering the *Run-Test/Idle* state via the *Exit2* and *Update* states.

Upon entering the data or Instruction register scan blocks, shadow latches in the selected scan path are forced to hold their present state during the Capture and Shift operations. The data being shifted into the selected scan path is not output through the shadow latch until the TAP enters the *Update-DR* or *Update-IR* state. The *Update* state causes the shadow latches to update (or parallel load) with the new data that has been shifted into the selected scan path.

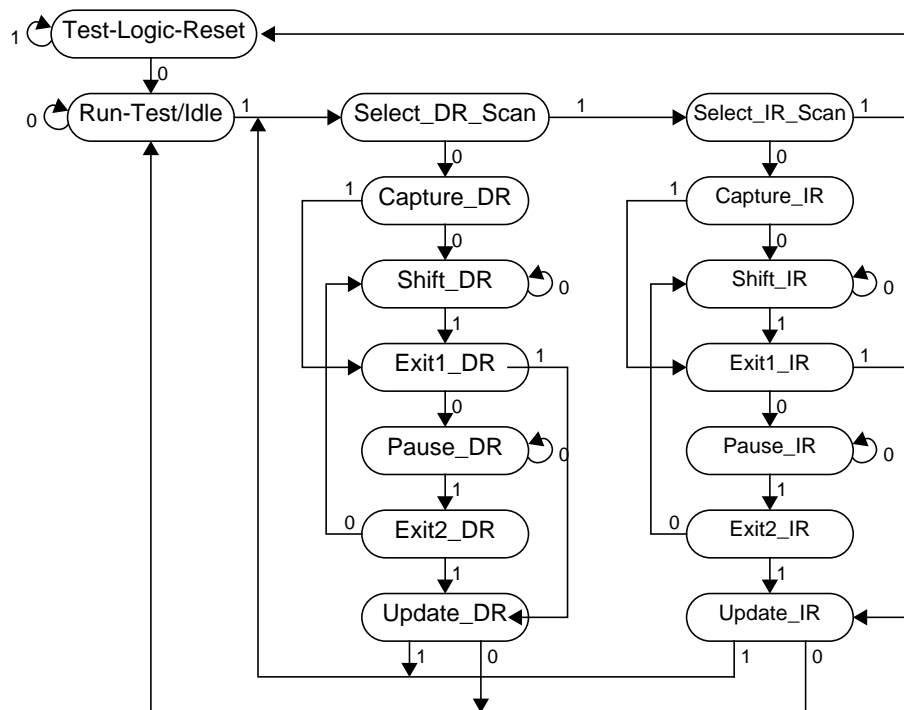


Figure 9-5 TAP Controller State Diagram

9.3.2.1 Test-Logic-Reset State

In the *Test-Logic-Reset* state the boundary scan test logic is disabled. The test logic enters the *Test-Logic-Reset* state when the *TMS* input is held HIGH for at least five rising edges of *TCK*. The BYPASS instruction register output latches during this state. The controller remains in the *Test-Logic-Reset* state as long as *TMS* is HIGH.

9.3.2.2 Run-Test/Idle State

The controller enters the *Run-Test/Idle* state between scan operations. The controller remains in this state as long as *TMS* is held LOW. The instruction register and all test data registers retain their previous state. The instruction cannot change when the TAP controller is in this state.

When *TMS* is sampled HIGH at the rising edge of *TCK*, the controller transitions to the *Select_DR* state.

9.3.2.3 Select_DR_Scan State

This is a temporary controller state in which all test data registers selected by the current instruction retain their previous state. If *TMS* is sampled LOW at the rising edge of *TCK*, the controller transitions to the *Capture_DR* state. A HIGH on *TMS* causes the controller to transition to the *Select_IR* state. The instruction cannot change while the TAP controller is in this state.

9.3.2.4 Select_IR_Scan State

This is a temporary controller state in which all test data registers selected by the current instruction retain their previous state. If *TMS* is sampled LOW at the rising edge of *TCK*, the controller transitions to the *Capture_IR* state. A HIGH on *TMS* causes the controller to transition to the *Test-Reset-Logic* state. The instruction cannot change while the TAP controller is in this state.

9.3.2.5 Capture_DR State

In this state the boundary scan register captures value of the register addressed by the Instruction register, and the value is then shifted out in the *Shift_DR*. If *TMS* is sampled LOW at the rising edge of *TCK*, the controller transitions to the *Shift_DR* state. A HIGH on *TMS* causes the controller to transition to the *Exit1_DR* state. The instruction cannot change while the TAP controller is in this state.

9.3.2.6 Shift_DR State

In this state the test data register connected between *TDI* and *TDO* as a result of the current instruction shifts data one stage toward its serial output on the rising edge of *TCK*. If *TMS* is sampled LOW at the rising edge of *TCK*, the controller remains in the *Shift_DR* state. A HIGH on *TMS* causes the controller to transition to the *Exit1_DR* state. The instruction cannot change while the TAP controller is in this state.

9.3.2.7 Exit1_DR State

This is a temporary controller state in which all test data registers selected by the current instruction retain their previous state. If *TMS* is sampled LOW at the rising edge of *TCK*, the controller transitions to the *Pause_DR* state. A HIGH on *TMS* causes the controller to transition to the *Update_DR* state which terminates the scanning process. The instruction cannot change while the TAP controller is in this state.

9.3.2.8 Pause_DR State

The *Pause_DR* state allows the controller to temporarily halt the shifting of data through the test data register in the serial path between *TDI* and *TDO*. All test data registers selected by the current instruction retain their previous state. If *TMS* is sampled LOW at the rising edge of *TCK*, the controller remains in the *Pause_DR* state. A HIGH on *TMS* causes the controller to transition to the *Exit2_DR* state. The instruction cannot change while the TAP controller is in this state.

9.3.2.9 Exit2_DR State

This is a temporary controller state in which all test data registers selected by the current instruction retain their previous state. If *TMS* is sampled LOW at the rising edge of *TCK*, the controller transitions to the *Shift_DR* state to allow another serial shift of data. A HIGH on *TMS* causes the controller to transition to the *Update_DR* state which terminates the scanning process. The instruction cannot change while the TAP controller is in this state.

9.3.2.10 Update_DR State

When the TAP controller is in this state the value shifted in during the *Shift_DR* state takes effect at the rising edge of the *TCK* for the register indicated by the Instruction register.

If *TMS* is sampled LOW at the rising edge of *TCK*, the controller transitions to the *Run-Test/Idle* state. A HIGH on *TMS* causes the controller to transition to the *Select_DR_Scan* state. The instruction cannot change while the TAP controller is in this state and all shift register stages in the test data registers selected by the current instruction retain their previous state.

9.3.2.11 Capture_IR State

In this state the shift register contained in the Instruction register loads a fixed pattern (00001₂) on the rising edge of *TCK*. The data registers selected by the current instruction retain their previous state.

If *TMS* is sampled LOW at the rising edge of *TCK*, the controller transitions to the *Shift_IR* state. A HIGH on *TMS* causes the controller to transition to the *Exit1_IR* state. The instruction cannot change while the TAP controller is in this state.

9.3.2.12 Shift_IR State

In this state the instruction register is connected between *TDI* and *TDO* and shifts data one stage toward its serial output on the rising edge of *TCK*. If *TMS* is sampled LOW at the rising edge of *TCK*, the controller remains in the *Shift_IR* state. A HIGH on *TMS* causes the controller to transition to the *Exit1_IR* state.

9.3.2.13 Exit1_IR State

This is a temporary controller state in which all registers retain their previous state. If *TMS* is sampled LOW at the rising edge of *TCK*, the controller transitions to the *Pause_IR* state. A HIGH on *TMS* causes the controller to transition to the *Update_IR* state which terminates the scanning process. The instruction cannot change while the TAP controller is in this state and the instruction register retains its previous state.

9.3.2.14 Pause_IR State

The *Pause_IR* state allows the controller to temporarily halt the shifting of data through the instruction register in the serial path between *TDI* and *TDO*. If *TMS* is sampled LOW at the rising edge of *TCK*, the controller remains in the *Pause_IR* state. A HIGH on *TMS* causes the controller to transition to the *Exit2_IR* state. The instruction cannot change while the TAP controller is in this state.

9.3.2.15 Exit2_IR State

This is a temporary controller state in which the instruction register retains its previous state. If *TMS* is sampled LOW at the rising edge of *TCK*, the controller transitions to the *Shift_IR* state to allow another serial shift of data. A HIGH on *TMS* causes the controller to transition to the *Update_IR* state which terminates the scanning process. The instruction cannot change while the TAP controller is in this state.

9.3.2.16 Update_IR State

The instruction shifted into the instruction register takes effect on the rising edge of *TCK*.

If *TMS* is sampled LOW at the rising edge of *TCK*, the controller transitions to the *Run-Test/Idle* state. A HIGH on *TMS* causes the controller to transition to the *Select_DR_Scan* state.

9.3.3 Test Access Port (TAP) Instructions

The TAP Instruction register allows instructions to be serially input into the device when TAP controller is in the *Shift-IR* state. Instructions are decoded and define the serial test data register path that is used to shift data between *TDI* and *TDO* during data register scanning.

The Instruction register is a 5-bit register. In the current EJTAG implementation only some instructions have been decoded; the unused instructions are set default to the BYPASS instruction.

Table 9-20 Implemented EJTAG Instructions

Value	Instruction	Function
0x01	IDCODE	Select Chip Identification data register
0x03	IMPCODE	Select Implementation Register
0x08	ADDRESS	Select Address register
0x09	DATA	Select Data register

Table 9-20 Implemented EJTAG Instructions

Value	Instruction	Function
0x0A	CONTROL	Select EJTAG Control register
0x0B	ALL	Select the Address, Data and EJTAG Control registers
0x0C	EJTAGBOOT	Set EhtagBrk, ProbEn and ProbTrap to 1 as reset value
0x0D	NORMALBOOT	Set EhtagBrk, ProbEn and ProbTrap to 0 as reset value
0x0E	FASTDATA	Selects the Data and Fastdata registers
0x1F	BYPASS	Bypass mode

9.3.3.1 BYPASS Instruction

The required BYPASS instruction allows the processor to remain in a functional mode and selects the Bypass register to be connected between *TDI* and *TDO*. The BYPASS instruction allows serial data to be transferred through the processor from *TDI* to *TDO* without affecting its operation. The bit code of this instruction is defined to be all ones by the IEEE 1149.1 standard. Any unused instruction is defaulted to the BYPASS instruction.

9.3.3.2 IDCODE Instruction

The IDCODE instruction allows the processor in its functional mode and selects the Device Identification (ID) register to be connected between *TDI* and *TDO*. The Device ID register is a 32-bit shift register containing information regarding the IC manufacturer, device type, and version code. Accessing the Identification Register does not interfere with the operation of the processor. Also, access to the Identification Register is immediately available, via a TAP data scan operation, after power-up when the TAP has been reset with on-chip power-on or through the optional *TRST_N* pin.

9.3.3.3 IMPCODE Instruction

This instruction selects the Implementation register for output, which is always 32 bits.

9.3.3.4 ADDRESS Instruction

This instruction is used to select the Address register to be connected between *TDI* and *TDO*. The EJTAG Probe shifts 32 bits through the *TDI* pin into the Address register and shifts out the captured address via the *TDO* pin.

9.3.3.5 DATA Instruction

This instruction is used to select the Data register to be connected between *TDI* and *TDO*. The EJTAG Probe shifts 32 bits of *TDI* data into the Data register and shifts out the captured data via the *TDO* pin.

9.3.3.6 CONTROL Instruction

This instruction is used to select the EJTAG Control register to be connected between *TDI* and *TDO*. The EJTAG Probe shifts 32 bits of *TDI* data into the EJTAG Control register and shifts out the EJTAG Control register bits via *TDO*.

9.3.3.7 ALL Instruction

This instruction is used to select the concatenation of the Address and Data register, and the EJTAG Control register between *TDI* and *TDO*. It can be used in particular if switching instructions in the instruction register takes too many *TCK* cycles. The first bit shifted out is bit 0.

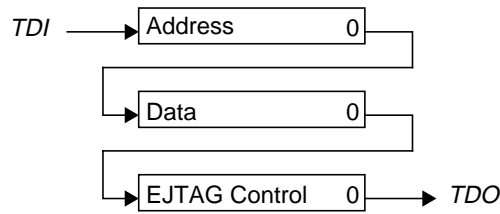


Figure 9-6 Concatenation of the EJTAG Address, Data and Control Registers

9.3.3.8 EJTAGBOOT Instruction

When the EJTAGBOOT instruction is given and Update-IR state is left, then the reset value of the ProbTrap, ProbEn and EjtagBrk bits in the EJTAG Control register are set to 1 after hard or soft reset.

This EJTAGBOOT indication is effective until NORMALBOOT instruction is given, *TRST_N* is asserted or rising edge of *TCK* occurs when TAP controller is in Test-Logic-Reset state.

It is thereby possible to make the CPU go into debug mode just after hard or soft reset, without fetching or executing any instructions from the normal memory area. This can be used for download of code to a system which have no code in ROM.

The Bypass register is selected when the EJTAGBOOT instruction is given.

9.3.3.9 NORMALBOOT Instruction

When the NORMALBOOT instruction is given and Update-IR state is left, then the reset value of the ProbTrap, ProbEn and EjtagBrk bits in the EJTAG Control register are set to 0 after hard or soft reset.

The Bypass register is selected when the NORMALBOOT instruction is given.

9.3.3.10 FASTDATA Instruction

This selects the Data and the Fastdata registers at once, as shown in [Figure 9-7](#). This TAP instruction was added to version 3.5 of the core. In previous versions, this instruction would act as a bypass. This is also indicated by the change from EJTAG version 2.5 to 2.6 in the *Implementation* register.

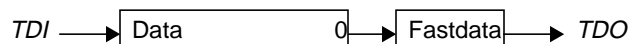


Figure 9-7 TDI to TDO Path when in Shift-DR State and FASTDATA Instruction is Selected

9.4 EJTAG TAP Registers

The EJTAG TAP Module has one Instruction register and a number of data registers, all accessible through the TAP:

9.4.1 Instruction Register

The Instruction register is accessed when the TAP receives an Instruction register scan protocol. During an Instruction register scan operation the TAP controller selects the output of the Instruction register to drive the *TDO* pin. The shift register consists of a series of bits arranged to form a single scan path between *TDI* and *TDO*. During an Instruction

register scan operations, the TAP controls the register to capture status information and shift data from *TDI* to *TDO*. Both the capture and shift operations occur on the rising edge of *TCK*. However, the data shifted out from the *TDO* occurs on the falling edge of *TCK*. In the Test-Logic-Reset and *Capture-IR* state, the instruction shift register is set to 00001₂, as for IDCODE instruction. This forces the device into the functional mode and selects the Device ID register. The Instruction register is 5 bits wide. The instruction shifted in takes effect for the following data register scan operation. A list of the implemented instructions are listed in [Table 9-20 on page 148](#).

9.4.2 Data Registers Overview

The EJTAG uses several data registers, which are arranged in parallel from the primary *TDI* input to the primary *TDO* output. The Instruction register supplies the address that allows one of the data registers to be accessed during a data register scan operation. During a data register scan operation, the addressed scan register receives TAP control signals to capture the register and shift data from *TDI* to *TDO*. During a data register scan operation, the TAP selects the output of the data register to drive the *TDO* pin. The register is updated in the *Update-DR* state with respect to write bits.

This description applies in general to the following data registers:

- Bypass Register
- Device Identification Register
- Implementation Register
- EJTAG Control Register (ECR)
- Processor Access Address Register
- Processor Access Data Register
- FastData Register

9.4.2.1 Bypass Register

The *Bypass* register consists of a single scan register bit. When selected, the Bypass register provides a single bit scan path between *TDI* and *TDO*. The Bypass register allows abbreviating the scan path through devices that are not involved in the test. The Bypass register is selected when the Instruction register is loaded with a pattern of all ones to satisfy the IEEE 1149.1 Bypass instruction requirement.

9.4.2.2 Device Identification (*ID*) Register

The *Device Identification* register is defined by IEEE 1149.1, to identify the device's manufacturer, part number, revision, and other device-specific information. [Table 9-21](#) shows the bit assignments defined for the read-only Device Identification Register, and inputs to the core determine the value of these bits. These bits can be scanned out of the *ID* register after being selected. The register is selected when the Instruction register is loaded with the IDCODE instruction.

Device Identification Register Format

31	28	27	12	11	1	0
Version	PartNumber			ManufID		R

Table 9-21 Device Identification Register

Fields		Description	Read/ Write	Reset State
Name	Bit(s)			
Version	31:28	Version (4 bits) This field identifies the version number of the processor derivative.	R	<i>EJ_Version[3:0]</i>
PartNumber	27:12	Part Number (16 bits) This field identifies the part number of the processor derivative.	R	<i>EJ_PartNumber[15:0]</i>
ManufID	11:1	Manufacturer Identity (11 bits) Accordingly to IEEE 1149.1-1990, the manufacturer identity code shall be a compressed form of the JEDEC Publications 106-A.	R	<i>EJ_ManufID[10:0]</i>
R	0	reserved	R	1

9.4.2.3 Implementation Register

This 32-bit read-only register is used to identify the features of the EJTAG implementation. Some of the reset value are set by inputs to the core. The register is selected when the Instruction register is loaded with the IMPCODE instruction.

Implementation Register Format

31	29	28	25	24	23	21	20	15	14	13	0
EJTAGver	reserved		DINTsup	ASIDsize	reserved			NoDMA	reserved		

Table 9-22 Implementation Register Descriptions

Fields		Description	Read/ Write	Reset State
Name	Bit(s)			
EJTAGver	31:29	EJTAG Version 1: Version 2.5 (core revisions before 3.5) 2: Version 2.6 (core revisions 3.5 and later)	R	Preset
reserved	28:25	reserved	R	0
DINTsup	24	DINT Signal Supported from Probe This bit indicates if the DINT signal from the probe is supported: 0: DINT signal from the probe is not supported 1: Probe can use DINT signal to make debug interrupt.	R	<i>EJ_DINTsup</i>
ASIDsize	23:21	Size of ASID field in implementation: 0: No ASID in implementation (4Kc/4Kp cores) 1: 6-bit ASID 2: 8-bit ASID (4Kc core) 3: Reserved	R	4Kc core - 2 4Kc/4Kp cores - 0
reserved	20:15	reserved	R	0
NoDMA	14	No EJTAG DMA Support	R	1

Table 9-22 Implementation Register Descriptions

Fields		Description	Read/ Write	Reset State
Name	Bit(s)			
reserved	13:0	reserved	R	0

9.4.2.4 EJTAG Control Register

This 32-bit register controls the various operations of the TAP modules. This register is selected by shifting in the CONTROL instruction. Bits in the EJTAG Control register can be set/cleared by shifting in data; status is read by shifting out the contents of this register. This EJTAG Control register can only be accessed by the TAP interface.

The EJTAG Control register is not updated in the *Update-DR* state unless the Reset occurred (Rocc), bit 31, is either 0 or written to 0. This is in order to ensure proper handling of processor accesses.

The value used for reset indicated in the table below takes effect on both hard and soft CPU reset, but no on TAP controller reset by e.g. *TRST_N*. *TCK* clock is not required when the hard or soft CPU reset occurs, but the bits are still updated to the reset value when the *TCK* applies. The first 5 *TCK* clocks after hard or soft CPU reset may result in reset of the bits, due to synchronization between clock domains.

EJTAG Control Register Format

31	30	29	28	23	22	21	20	19	18	17	16	15	14	13	12	11	4	3	2	0
Rocc	Psz	Res	Doze	Halt	PerRst	PRnW	PrAcc	Res	PrRst	ProbEn	ProbTrap	Res	EjtagBrk	Res	DM	Res				

Table 9-23 EJTAG Control Register Descriptions

Fields		Description	Read/ Write	Reset State
Name	Bit(s)			
Rocc	31	<p>Reset Occurred</p> <p>The bit indicates if hard or soft reset has occurred: 0: No reset occurred since bit last cleared. 1: Reset occurred since bit last cleared.</p> <p>The Rocc bit will keep the 1 value as long as hard or soft reset is applied.</p> <p>This bit must be cleared by the probe, to acknowledge that the incident was detected.</p> <p>The EJTAG Control register is not updated in the <i>Update-DR</i> state unless Rocc is 0, or written to 0. This is in order to ensure proper handling of processor access.</p>	R/W	1

Table 9-23 EJTAG Control Register Descriptions (Continued)

Fields		Description	Read/ Write	Reset State																																	
Name	Bit(s)																																				
Psz[1:0]	30:29	<p>Processor Access Transfer Size</p> <p>These bits are used in combination with the lower two address bits of the Address register to determine the size of a processor access transaction. The bits are only valid when processor access is pending.</p> <table border="1"> <thead> <tr> <th>PAA[1:0]</th> <th>Psz[1:0]</th> <th>Transfer Size</th> </tr> </thead> <tbody> <tr> <td>00</td> <td>00</td> <td>Byte (LE, byte 0; BE, byte 3)</td> </tr> <tr> <td>01</td> <td>00</td> <td>Byte (LE, byte 1; BE, byte 2)</td> </tr> <tr> <td>10</td> <td>00</td> <td>Byte (LE, byte 2; BE, byte 1)</td> </tr> <tr> <td>11</td> <td>00</td> <td>Byte (LE, byte 3; BE, byte 0)</td> </tr> <tr> <td>00</td> <td>01</td> <td>Halfword (LE, bytes 1:0; BE, bytes 3:2)</td> </tr> <tr> <td>10</td> <td>01</td> <td>Halfword (LE, bytes 3:2; BE, bytes 1:0)</td> </tr> <tr> <td>00</td> <td>10</td> <td>Word (LE, BE; bytes 3, 2, 1, 0)</td> </tr> <tr> <td>00</td> <td>11</td> <td>Triple (LE, bytes 2, 1, 0; BE, bytes 3, 2, 1)</td> </tr> <tr> <td>01</td> <td>11</td> <td>Triple (LE, bytes 3, 2, 1; BE, bytes 2, 1, 0)</td> </tr> <tr> <td colspan="2">All others</td> <td>Reserved</td> </tr> </tbody> </table> <p>Note: LE=little endian, BE=big endian, the byte# refers to the byte number in a 32-bit register, where byte 3 = bits 31:24; byte 2 = bits 23:16; byte 1 = bits 15:8; byte 0=bits 7:0, independently of the endianness.</p>	PAA[1:0]	Psz[1:0]	Transfer Size	00	00	Byte (LE, byte 0; BE, byte 3)	01	00	Byte (LE, byte 1; BE, byte 2)	10	00	Byte (LE, byte 2; BE, byte 1)	11	00	Byte (LE, byte 3; BE, byte 0)	00	01	Halfword (LE, bytes 1:0; BE, bytes 3:2)	10	01	Halfword (LE, bytes 3:2; BE, bytes 1:0)	00	10	Word (LE, BE; bytes 3, 2, 1, 0)	00	11	Triple (LE, bytes 2, 1, 0; BE, bytes 3, 2, 1)	01	11	Triple (LE, bytes 3, 2, 1; BE, bytes 2, 1, 0)	All others		Reserved	R	Undefined
PAA[1:0]	Psz[1:0]	Transfer Size																																			
00	00	Byte (LE, byte 0; BE, byte 3)																																			
01	00	Byte (LE, byte 1; BE, byte 2)																																			
10	00	Byte (LE, byte 2; BE, byte 1)																																			
11	00	Byte (LE, byte 3; BE, byte 0)																																			
00	01	Halfword (LE, bytes 1:0; BE, bytes 3:2)																																			
10	01	Halfword (LE, bytes 3:2; BE, bytes 1:0)																																			
00	10	Word (LE, BE; bytes 3, 2, 1, 0)																																			
00	11	Triple (LE, bytes 2, 1, 0; BE, bytes 3, 2, 1)																																			
01	11	Triple (LE, bytes 3, 2, 1; BE, bytes 2, 1, 0)																																			
All others		Reserved																																			
Res	28:23	reserved	R	0																																	
Doze	22	<p>Doze state</p> <p>The Doze bit indicates any kind of low power mode. The value is sampled in the Capture-DR state of the TAP controller:</p> <p>0: CPU not in low power mode. 1: CPU is in low power mode</p> <p>Doze includes the Reduced Power (RP) and WAIT power-reduction modes.</p>	R	0																																	
Halt	21	<p>Halt state</p> <p>The Halt bit indicates if the internal system bus clock is running or stopped. The value is sampled in the Capture-DR state of the TAP controller:</p> <p>0: Internal system clock is running 1: Internal system clock is stopped</p>	R	0																																	

Table 9-23 EJTAG Control Register Descriptions (Continued)

Fields		Description	Read/Write	Reset State
Name	Bit(s)			
PerRst	20	<p>Peripheral Reset</p> <p>When the bit is set to 1, it is only guaranteed that the peripheral reset has occurred in the system when the read value of this bit is also 1. This is to ensure that the setting from the <i>TCK</i> clock domain gets effect in the CPU clock domain, and in peripherals.</p> <p>When the bit is written to 0, then the bit must also be read as 0 before it is guaranteed that the indication is cleared in the CPU clock domain also.</p> <p>This bit controls the <i>EJ_PerRst</i> signal on the core.</p>	R/W	0
PRnW	19	<p>Processor Access Read and Write</p> <p>This bit indicates if the pending processor access is for a read or write transaction, and the bit is only valid while PrAcc is set: 0: Read transaction 1: Write transaction</p>	R	Undefined
PrAcc	18	<p>Processor Access (PA)</p> <p>Read value of this bit indicates if a Processor Access (PA) to the EJTAG memory is pending: 0: No pending processor access 1: Pending processor access</p> <p>The probe's software must clear this bit to 0 to indicate the end of the PA. Write of 1 is ignored.</p> <p>A pending PA is cleared when Rocc is set, but another PA may occur just after the reset if a debug exception occurs.</p> <p>Finishing a PA is not accepted while the Rocc bit is set. This is to avoid that a PA occurring after the reset is finished due to indication of a PA that occurred before the reset.</p>	R/W0	0
Res	17	reserved	R	0
PrRst	16	<p>Processor Reset (Implementation dependent behavior)</p> <p>When the bit is set to 1, then it is only guaranteed that this setting has taken effect in the system when the read value of this bit is also 1. This is to ensure that the setting from the <i>TCK</i> clock domain gets effect in the CPU clock domain, and in peripherals.</p> <p>When the bit is written to 0, then the bit must also be read as 0 before it is guaranteed that the indication is cleared in the CPU clock domain also.</p> <p>This bit controls the <i>EJ_PrRst</i> signal. If the signal is used in the system, then it must be ensured that both the processor and all devices required for a reset are properly reset. Otherwise the system may fail or hang. The bit resets itself, since the EJTAG Control register is reset by hard or soft reset.</p>	R/W	0

Table 9-23 EJTAG Control Register Descriptions (Continued)

Fields		Description	Read/Write	Reset State
Name	Bit(s)			
ProbEn	15	<p>Probe Enable</p> <p>This bit indicates to the CPU if the EJTAG memory is handled by the probe so processor accesses are answered: 0: The probe does not handle EJTAG memory transactions 1: The probe does handle EJTAG memory transactions</p> <p>It is an error by the software controlling the probe if it sets the ProbTrap to 1 but the ProbEn to 0. The operation of the processor is UNDEFINED in this case.</p> <p>The ProbEn bit is reflected as a read-only bit in the ProbEn bit, bit 0, in the Debug Control Register (DCR).</p> <p>The read value indicates the effective value in the DCR, due to synchronization issues between <i>TCK</i> and CPU clock domains. However, it is ensured that change of the ProbEn prior to setting the EhtagBrk bit will have effect for the debug handler executed due to the debug exception.</p> <p>The reset value of the bit depends on whether the EJTAGBOOT indication is given or not: No EJTAGBOOT indication given: 0 EJTAGBOOT indication given: 1</p>	R/W	0 or 1 from EJTAGBOOT
ProbTrap	14	<p>Probe Trap</p> <p>This bit controls the location of the debug exception vector: 0: In normal memory 0xBFC0.0480 1: In EJTAG memory at 0xFF20.0200 in dmseg</p> <p>Valid setting of the ProbTrap bit depends on the setting of the ProbEn bit, see comment under ProbEn bit.</p> <p>The ProbTrap should not be set to 1, for debug exception vector in EJTAG memory, unless the ProbEn bit is also set to 1 to indicate that the EJTAG memory may be accessed.</p> <p>The read value indicates the effective value to the CPU, due to synchronization issues between <i>TCK</i> and CPU clock domains. However, it is ensured that change of the ProbTrap prior to setting the EhtagBrk bit will have effect for the EhtagBrk.</p> <p>The reset value of the bit depends on whether the EJTAGBOOT indication is given or not: No EJTAGBOOT indication given: 0 EJTAGBOOT indication given: 1</p>	R/W	0 or 1 from EJTAGBOOT
Res	13	reserved	R	0

Table 9-23 EJTAG Control Register Descriptions (Continued)

Fields		Description	Read/Write	Reset State
Name	Bit(s)			
EjtagBrk	12	<p>EJTAG Break</p> <p>Setting this bit to 1 causes a debug exception to the processor, unless the CPU was in debug mode or another debug exception occurred. When the debug exception occurs, the processor core clock is restarted if the CPU was in low power mode. This bit is cleared by hardware when the debug exception is taken.</p> <p>The reset value of the bit depends on whether the EJTAGBOOT indication is given or not: No EJTAGBOOT indication given: 0 EJTAGBOOT indication given: 1</p>	R/W1	0 or 1 from EJTAGBOOT
Res	11:4	reserved	R	0
DM	3	<p>Debug Mode</p> <p>This bit indicates the debug or non-debug mode: 0: Processor is in non-debug mode 1: Processor is in debug mode</p> <p>The bit is sampled in the <i>Capture-DR</i> state of the TAP controller.</p>	R	0
Res	2:0	reserved	R	0

9.4.3 Processor Access Address Register

The Processor Access Address (*PAA*) register is used to provide the address of the processor access in the dmseg, and the register is only valid when a processor access is pending. The length of the Address register is 32 bits, and this register is selected by shifting in the ADDRESS instruction.

9.4.3.1 Processor Access Data Register

The Processor Access Data (*PAD*) register is used to provide data value to and from a processor access. The length of the Data register is 32 bits, and this register is selected by shifting in the DATA instruction.

The register has the written value for a processor access write due to a CPU store to the dmseg, and the output from this register is only valid when a processor access write is pending. The register is used to provide the data value for processor access read due to a CPU load or fetch from the dmseg, and the register should only be updated with a new value when a processor access write is pending.

The *PAD* register is 32 bits wide. Data alignment is not used for this register, so the value in the *PAD* register matches data on the internal bus. The undefined bytes for a PA write are undefined, and for a *PAD* read then 0 (zero) must be shifted in for the unused bytes.

The organization of bytes in the *PAD* register depends on the endianness of the core, as shown in [Figure 9-8](#). The endian mode for debug/kernel mode is determined by the state of the *EB_Endian* input at power-up.

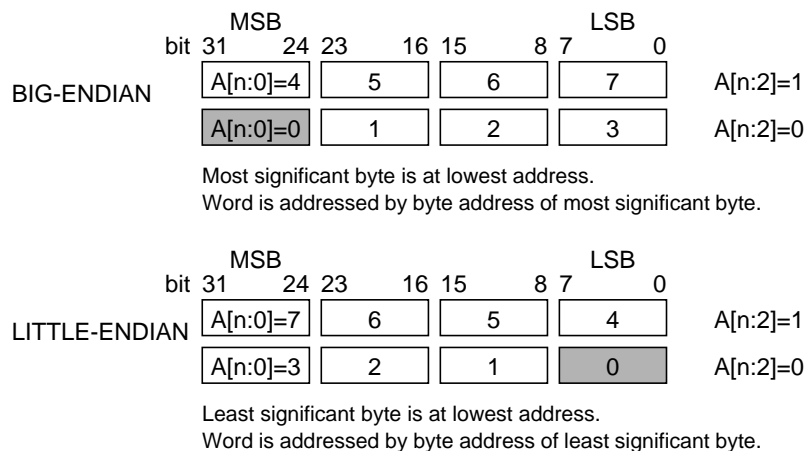


Figure 9-8 Endian Formats for the *PAD* Register

The size of the transaction and thus the number of bytes available/required for the *PAD* register is determined by the *Psz* field in the *ECR*.

9.4.4 Fastdata Register (TAP Instruction FASTDATA)

The width of the Fastdata register is 1 bit. During a Fastdata access, the Fastdata register is written and read, i.e., a bit is shifted in and a bit is shifted out. During a Fastdata access, the Fastdata register value shifted in specifies whether the Fastdata access should be completed or not. The value shifted out is a flag that indicates whether the Fastdata access was successful or not (if completion was requested).

Fastdata Register Format



Table 9-24 Fastdata Register Field Description

Fields		Description	Read/ Write	Power-up State
Name	Bits			
SPrAcc	0	Shifting in a zero value requests completion of the Fastdata access. The PrAcc bit in the EJTAG Control register is overwritten with zero when the access succeeds. (The access succeeds if PrAcc is one and the operation address is in the legal dmseg Fastdata area.) When successful, a one is shifted out. Shifting out a zero indicates a Fastdata access failure. Shifting in a one does not complete the Fastdata access and the PrAcc bit is unchanged. Shifting out a one indicates that the access would have been successful if allowed to complete and a zero indicates the access would not have successfully completed.	R/W	Undefined

The FASTDATA access is used for efficient block transfers between dmseg (on the probe) and target memory (on the processor). An “upload” is defined as a sequence of processor loads from target memory and stores to dmseg. A “download” is a sequence of processor loads from dmseg and stores to target memory. The “Fastdata area” specifies the legal range of dmseg addresses (0xFF20.0000 - 0xFF20.000F) that can be used for uploads and downloads. The Data +

Fastdata registers (selected with the FASTDATA instruction) allow efficient completion of pending Fastdata area accesses.

During Fastdata uploads and downloads, the processor will stall on accesses to the Fastdata area. The PrAcc (processor access pending bit) will be 1 indicating the probe is required to complete the access. Both upload and download accesses are attempted by shifting in a zero SPrAcc value (to request access completion) and shifting out SPrAcc to see if the attempt will be successful (i.e., there was an access pending and a legal Fastdata area address was used). Downloads will also shift in the data to be used to satisfy the load from dmseg's Fastdata area, while uploads will shift out the data being stored to dmseg's Fastdata area.

As noted above, two conditions must be true for the Fastdata access to succeed. These are:

- PrAcc must be 1, i.e., there must be a pending processor access.
- The Fastdata operation must use a valid Fastdata area address in dmseg (0xFF20.0000 to 0xFF20.000F).

Table 9-25 shows the values of the PrAcc and SPrAcc bits and the results of a Fastdata access.

Table 9-25 Operation of the FASTDATA access

Probe Operation	Address Match check	PrAcc in the Control Register	LSB (SPrAcc) shifted in	Action in the Data Register	PrAcc changes to	LSB shifted out	Data shifted out
Download using FASTDATA	Fails	x	x	none	unchanged	0	invalid
	Passes	1	1	none	unchanged	1	invalid
		1	0	write data	0 (SPrAcc)	1	valid (previous) data
		0	x	none	unchanged	0	invalid
Upload using FASTDATA	Fails	x	x	none	unchanged	0	invalid
	Passes	1	1	none	unchanged	1	invalid
		1	0	read data	0 (SPrAcc)	1	valid data
		0	x	none	unchanged	0	invalid

There is no restriction on the contents of the Data register. It is expected that the transfer size is negotiated between the download/upload transfer code and the probe software. Note that the most efficient transfer size is a 32-bit word.

The Rocc bit of the Control register is not used for the FASTDATA operation.

9.5 Processor Accesses

The TAP modules support handling of fetch, load and store from the CPU through the dmseg segment, whereby the TAP module can operate like a *slave unit* connected to the on-chip bus. The core can then execute code taken from the EJTAG Probe and it can access data (via load or store) which is located on the EJTAG Probe. This occurs in a serial way through the EJTAG interface: the core can thus execute instructions e.g. debug monitor code, without occupying the user's memory.

Accessing the dmseg segment (EJTAG memory) can only occur when the processor accesses an address in the range from 0xFF20.0000 to 0xFF2F.FFFF, the ProbEn bit is set, and the processor is in debug mode (DM=1). In addition the LSNM bit in the CP0 Debug register controls transactions to/from the dmseg.

When a debug exception is taken, while the ProbTrap bit is set, the processor will start fetching instructions from address 0xFF20.0200.

A pending processor access can only finish if the probe writes 0 to PrAcc or by soft or hard reset.

9.5.1 Fetch/Load and Store from/to the EJTAG Probe through dmseg

1. The internal hardware latches the requested address into the PA Address register (in case of the Debug exception: 0xFF20_0200).
2. The internal hardware sets the following bits in the EJTAG Control register:
PrAcc = 1 (selects Processor Access operation)
PRnW = 0 (selects processor read operation)
Psz[1:0] = value depending on the transfer size
3. The EJTAG Probe selects the EJTAG Control register, shifts out this control register's data and tests the PrAcc status bit (Processor Access): when the PrAcc bit is found 1, it means that the requested address is available and can be shifted out.
4. The EJTAG Probe checks the PRnW bit to determine the required access.
5. The EJTAG Probe selects the PA Address register and shifts out the requested address.
6. The EJTAG Probe selects the PA Data register and shifts in the instruction corresponding to this address.
7. The EJTAG Probe selects the EJTAG Control register and shifts a PrAcc = 0 bit into this register to indicate to the processor that the instruction is available.
8. The instruction becomes available in the instruction register and the processor starts executing.
9. The processor increments the program counter and outputs an instruction read request for the next instruction. This starts the whole sequence again.

Using the same protocol, the processor can also execute a load instruction to access the EJTAG Probe's memory. For this to happen, the processor must execute a load instruction (e.g. a LW, LH, LB) with the target address in the appropriate range.

Almost the same protocol is used to execute a store instruction to the EJTAG Probe's memory through dmseg. The store address must be in the range: 0xFF20_0000 to 0xFF2F_FFFF, the ProbEn bit must be set and the processor has to be in debug mode (DM=1). The sequence of actions is found below:

1. The internal hardware latches the requested address into the PA Address register
2. The internal hardware latches the data to be written into the PA Data register.
3. The internal hardware sets the following bits in the EJTAG Control register:
PrAcc = 1 (selects Processor Access operation)
PRnW = 1 (selects processor write operation)
Psz[1:0] = value depending on the transfer size
4. The EJTAG Probe selects the EJTAG Control register, shifts out this control register's data and tests the PrAcc status bit (Processor Access): when the PrAcc bit is found 1, it means that the requested address is available and can be shifted out.
5. The EJTAG Probe checks the PRnW bit to determine the required access.
6. The EJTAG Probe selects the PA Address register and shifts out the requested address.

7. The EJTAG Probe selects the PA Data register and shifts out the data to be written.
8. The EJTAG Probe selects the EJTAG Control register and shifts a PrAcc = 0 bit into this register to indicate to the processor that the write access is finished.
9. The EJTAG Probe writes the data to the requested address in its memory.
10. The processor detects that PrAcc bit = 0, which means that it is ready to handle a new access.

The above examples imply that no reset occurs during the operations, and that Rocc is cleared.

Instruction Set Overview

This chapter provides a general overview on the three CPU instruction set formats of the MIPS architecture: Immediate, Jump, and Register. Refer to [Chapter 11, “MIPS32 4K Processor Core Instructions,”](#) on page 169 for a complete listing and description of instructions.

This chapter discusses the following topics:

- [Section 10.1, “CPU Instruction Formats”](#)
- [Section 10.2, “Load and Store Instructions”](#)
- [Section 10.3, “Computational Instructions”](#)
- [Section 10.4, “Jump and Branch Instructions”](#)
- [Section 10.5, “Control Instructions”](#)
- [Section 10.6, “Coprocessor Instructions”](#)
- [Section 10.7, “Enhancements to the MIPS Architecture”](#)

10.1 CPU Instruction Formats

Each CPU instruction consists of a single 32-bit word, aligned on a word boundary. There are three instruction formats immediate (I-type), jump (J-type), and register (R-type)—as shown in [Figure 10-1](#). The use of a small number of instruction formats simplifies instruction decoding, allowing the compiler to synthesize more complicated (and less frequently used) operations and addressing modes from these three formats as needed.

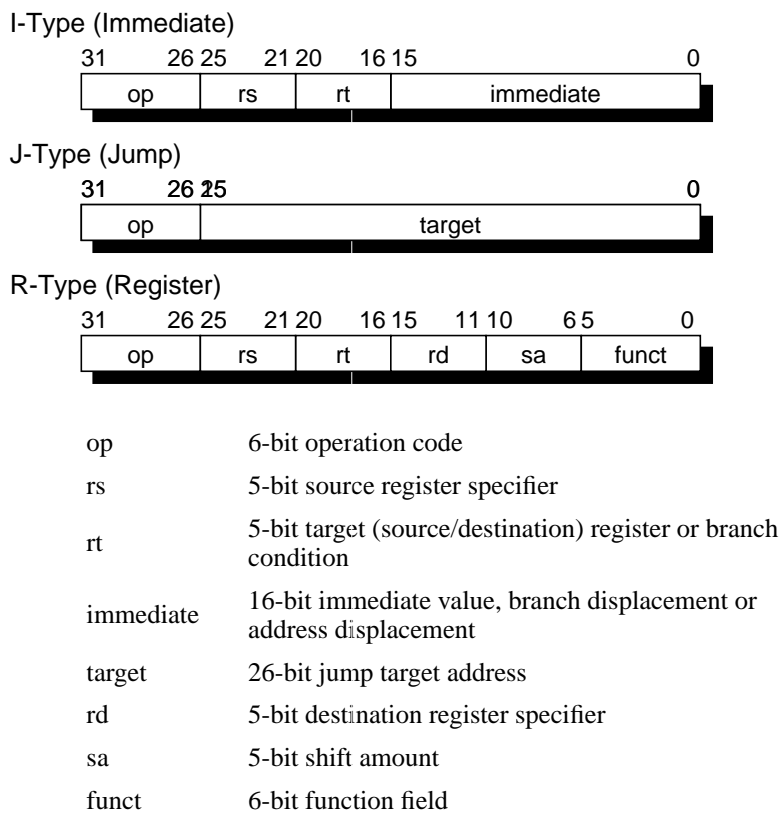


Figure 10-1 Instruction Formats

10.2 Load and Store Instructions

Load and store are immediate (I-type) instructions that move data between memory and the general registers. The only addressing mode that load and store instructions directly support is *base register plus 16-bit signed immediate offset*.

10.2.1 Scheduling a Load Delay Slot

A load instruction that does not allow its result to be used by the instruction immediately following is called a *delayed load instruction*. The instruction slot immediately following this delayed load instruction is referred to as the *load delay slot*.

In the 4K cores, the instruction immediately following a load instruction can use the contents of the loaded register, however, in such cases, hardware interlocks insert additional real cycles. Although not required, the scheduling of load delay slots can be desirable, both for performance and R-Series processor compatibility.

10.2.2 Defining Access Types

Access type indicates the size of a core data item to be loaded or stored, set by the load or store instruction opcode.

Regardless of access type or byte ordering (endianness), the address given specifies the low-order byte in the addressed field. For a big-endian configuration, the low-order byte is the most-significant byte; for a little-endian configuration, the low-order byte is the least-significant byte.

The access type, together with the three low-order bits of the address, define the bytes accessed within the addressed word as shown in Table 10-1. Only the combinations shown in Table 10-1 are permissible; other combinations cause address error exceptions.

Table 10-1 Byte Access within a Word

Access Type	Low Order Address Bits			Bytes Accessed							
	2	1	0	Big Endia (31-----0)				Little Endian (31-----0)			
				Byte				Byte			
Word	0	0	0	0	1	2	3	3	2	1	0
Triplebyte	0	0	0	0	1	2			2	1	0
	0	0	1		1	2	3	3	2	1	
Halfword	0	0	0	0	1					1	0
	0	1	0			2	3	3	2		
Byte	0	0	0	0							0
	0	0	1		1					1	
	0	1	0			2			2		
	0	1	1				3	3			

10.3 Computational Instructions

Computational instructions can be either in register (R-type) format, in which both operands are registers, or in immediate (I-type) format, in which one operand is a 16-bit immediate.

Computational instructions perform the following operations on register values:

- Arithmetic
- Logical
- Shift
- Multiply
- Divide

These operations fit in the following four categories of computational instructions:

- ALU Immediate instructions
- Three-operand Register-type Instructions
- Shift Instructions
- Multiply And Divide Instructions

10.3.1 Cycle Timing for Multiply and Divide Instructions

Any multiply instruction in the integer pipeline is transferred to the multiplier as remaining instructions continue through the pipeline; the product of the multiply instruction is saved in the HI and LO registers. If the multiply instruction is

followed by an MFHI or MFLO before the product is available, the pipeline interlocks until this product does become available. Refer to [Chapter 2, “Pipeline,”](#) for more information on instruction latency and repeat rates.

10.4 Jump and Branch Instructions

Jump and branch instructions change the control flow of a program. All jump and branch instructions occur with a delay of one instruction: that is, the instruction immediately following the jump or branch (this is known as the instruction in the *delay slot*) always executes while the target instruction is being fetched from storage.

10.4.1 Overview of Jump Instructions

Subroutine calls in high-level languages are usually implemented with Jump or Jump and Link instructions, both of which are J-type instructions. In J-type format, the 26-bit target address shifts left 2 bits and combines with the high-order 4 bits of the current program counter to form an absolute address.

Returns, dispatches, and large cross-page jumps are usually implemented with the Jump Register or Jump and Link Register instructions. Both are R-type instructions that take the 32-bit byte address contained in one of the general purpose registers.

For more information about jump instructions, refer to the individual instructions in [Section 11.3, “Instruction Set”](#).

10.4.2 Overview of Branch Instructions

All branch instruction target addresses are computed by adding the address of the instruction in the delay slot to the 16-bit *offset* (shifted left 2 bits and sign-extended to 32 bits). All branches occur with a delay of one instruction.

If a conditional branch likely is not taken, the instruction in the delay slot is nullified.

Branches, jumps, ERET, and DERET instructions should not be placed in the delay slot of a branch or jump.

10.5 Control Instructions

Control instructions allow the software to initiate traps; they are always R-type.

10.6 Coprocessor Instructions

CP0 instructions perform operations on the System Control Coprocessor registers to manipulate the memory management and exception handling facilities of the processor. Refer to [Chapter 11, “MIPS32 4K Processor Core Instructions,”](#) on page 169 for a listing of CP0 instructions.

10.7 Enhancements to the MIPS Architecture

The core execution unit implements the MIPS32 architecture, which includes the following instructions.

- CLO – Count Leading Ones
- CLZ – Count Leading Zeros
- MADD – Multiply and Add Word

- MADDU – Multiply and Add Unsigned Word
- MSUB – Multiply and Subtract Word
- MSUBU – Multiply and Subtract Unsigned Word
- MUL – Multiply Word to Register
- SSNOP – Superscalar Inhibit NOP

10.7.1 CLO - Count Leading Ones

The CLO instruction counts the number of leading ones in a word. The 32-bit word in the GPR *rs* is scanned from most-significant to least-significant bit. The number of leading ones is counted and the result is written to the GPR *rd*. If all 32 bits are set in the GPR *rs*, the result written to the GPR *rd* is 32.

10.7.2 CLZ - Count Leading Zeros

The CLZ instruction counts the number of leading zeros in a word. The 32-bit word in the GPR *rs* is scanned from most-significant to least-significant bit. The number of leading zeros is counted and the result is written to the GPR *rd*. If all 32 bits are cleared in the GPR *rs*, the result written to the GPR *rd* is 32.

10.7.3 MADD - Multiply and Add Word

The MADD instruction multiplies two words and adds the result to the HI/LO register pair. The 32-bit word value in the GPR *rs* is multiplied by the 32-bit value in the GPR *rt*, treating both operands as signed values, to produce a 64-bit result. The product is added to the 64-bit concatenated values in the HI and LO register pair. The resulting value is then written back to the HI and LO registers. No arithmetic exception occurs under any circumstances.

10.7.4 MADDU - Multiply and Add Unsigned Word

The MADDU instruction multiplies two unsigned words and adds the result to the HI/LO register pair. The 32-bit word value in the GPR *rs* is multiplied by the 32-bit value in the GPR *rt*, treating both operands as unsigned values, to produce a 64-bit result. The product is added to the 64-bit concatenated values in the HI and LO register pair. The resulting value is then written back to the HI and LO registers. No arithmetic exception occurs under any conditions.

10.7.5 MSUB - Multiply and Subtract Word

The MSUB instruction multiplies two words and subtracts the result from the HI/LO register pair. The 32-bit word value in the GPR *rs* is multiplied by the 32-bit value in the GPR *rt*, treating both operands as signed values, to produce a 64-bit result. The product is subtracted from the 64-bit concatenated values in the HI and LO register pair. The resulting value is then written back to the HI and LO registers. No arithmetic exception occurs under any circumstances.

10.7.6 MSUBU - Multiply and Subtract Unsigned Word

The MSUBU instruction multiplies two unsigned words and subtracts the result from the HI/LO register pair. The 32-bit word value in the GPR *rs* is multiplied by the 32-bit value in the GPR *rt*, treating both operands as unsigned values, to produce a 64-bit result. The product is subtracted from the 64-bit concatenated values in the HI and LO register pair. The resulting value is then written back to the HI and LO registers. No arithmetic exception occurs under any circumstances.

10.7.7 MUL - Multiply Word

The MUL instruction multiplies two words and writes the result to a GPR. The 32-bit word value in the GPR *rs* is multiplied by the 32-bit value in the GPR *rt*, treating both operands as signed values, to produce a 64-bit result. The least-significant 32 bits of the product are written to the GPR *rd*. The contents of the HI and LO register pair are not defined after the operation. No arithmetic exception occurs under any circumstances.

10.7.8 SSNOP- Superscalar Inhibit NOP

The MIPS32 4K processor cores treats this instruction as a regular NOP.

MIPS32 4K Processor Core Instructions

This chapter provides a detailed guide to understanding the instruction set for the MIPS32 4K processor cores, which is a subset of the MIPS32 architecture. The chapter is divided into the following sections:

- [Section 11.1, "Understanding the Instruction Descriptions" on page 169](#)
- [Section 11.2, "CPU Opcode Map" on page 169](#)
- [Section 11.3, "Instruction Set" on page 171](#)

11.1 Understanding the Instruction Descriptions

Refer to Volume II of the MIPS32 Architecture Reference Manual for more information about the instruction descriptions. There is a description of the instruction fields, definition of terms, and a description function notation available in that document.

11.2 CPU Opcode Map

Key

- CAPITALIZED text indicates an opcode mnemonic
- *Italicized* text indicates to look at the specified opcode submap for further instruction bit decode
- Entries containing the α symbol indicate that a reserved instruction fault occurs if the core executes this instruction.
- Entries containing the β symbol indicate that a coprocessor unusable exception occurs if the core executes this instruction

Table 11-1 Encoding of the Opcode Field

opcode		bits 28..26							
		0	1	2	3	4	5	6	7
bits 31..29		000	001	010	011	100	101	110	111
0	000	<i>Special</i>	<i>RegImm</i>	J	JAL	BEQ	BNE	BLEZ	BGTZ
1	001	ADDI	ADDIU	SLTI	SLTIU	ANDI	ORI	XORI	LUI
2	010	<i>COP0</i>	β	β	β	BEQL	BNEL	BLEZL	BGTZL
3	011	α	α	α	α	<i>Special2</i>	α	α	α
4	100	LB	LH	LWL	LW	LBU	LHU	LWR	α
5	101	SB	SH	SWL	SW	α	α	SWR	CACHE
6	110	LL	β	β	PREF	α	β	β	α
7	111	SC	β	β	α	α	β	β	α

Table 11-2 Special Opcode Encoding of Function Field

function		bits 2..0							
		0	1	2	3	4	5	6	7
bits 5..3		000	001	010	011	100	101	110	111
0	000	SLL	β	SRL	SRA	SLLV	α	SRLV	SRAV
1	001	JR	JALR	MOVZ	MOVN	SYSCALL	BREAK	α	SYNC
2	010	MFHI	MTHI	MFLO	MTLO	α	α	α	α
3	011	MULT	MULTU	DIV	DIVU	α	α	α	α
4	100	ADD	ADDU	SUB	SUBU	AND	OR	XOR	NOR
5	101	α	α	SLT	SLTU	α	α	α	α
6	110	TGE	TGEU	TLT	TLTU	TEQ	α	TNE	α
7	111	α	α	α	α	α	α	α	α

Table 11-3 Special2 Opcode Encoding of Function Field

function		bits 2..0							
		0	1	2	3	4	5	6	7
bits 5..3		000	001	010	011	100	101	110	111
0	000	MADD	MADDU	MUL	α	MSUB	MSUBU	α	α
1	001	α	α	α	α	α	α	α	α
2	010	α	α	α	α	α	α	α	α
3	011	α	α	α	α	α	α	α	α
4	100	CLZ	CLO	α	α	α	α	α	α
5	101	α	α	α	α	α	α	α	α
6	110	α	α	α	α	α	α	α	α
7	111	α	α	α	α	α	α	α	SDBBP

Table 11-4 RegImm Encoding of rt Field

rt		bits 18..16							
		0	1	2	3	4	5	6	7
bits 20..19		000	001	010	011	100	101	110	111
0	00	BLTZ	BGEZ	BLTZL	BGEZL	α	α	α	α
1	01	TGEI	TGEIU	TLTI	TLTIU	TEQI	α	TNEI	α
2	10	BLTZAL	BGEZAL	BLTZALL	BGEZALL	α	α	α	α
3	11	α	α	α	α	α	α	α	α

Table 11-5 COP0 Encoding of rs Field

rs		bits 23..21							
		0	1	2	3	4	5	6	7
bits 25..24		000	001	010	011	100	101	110	111
0	00	MFC0	α	α	α	MTC0	α	α	α
1	01	α	α	α	α	α	α	α	
2	10	CO							
3	11								

Table 11-6 COP0 Encoding of Function Field When rs=CO

function		bits 2..0							
		0	1	2	3	4	5	6	7
bits 5..3		000	001	010	011	100	101	110	111
0	000	α	TLBR (4Kc) α (4Km/p)	TLBWI (4Kc) α (4Km/p)	α	α	α	TLBWR (4Kc) α (4Km/p)	α
1	001	TLBP (4Kc) α (4Km/p)	α	α	α	α	α	α	α
2	010	α	α	α	α	α	α	α	α
3	011	ERET	α	α	α	α	α	α	DERET
4	100	WAIT	α	α	α	α	α	α	α
5	101	α	α	α	α	α	α	α	α
6	110	α	α	α	α	α	α	α	α
7	111	α	α	α	α	α	α	α	α

11.3 Instruction Set

This section describes the core instructions. [Table 11-7](#) lists the instructions in alphabetical order, followed by a detailed description of each instruction.

Table 11-7 Instruction Set

Instruction	Description	Function
ADD	Integer Add	$Rd = Rs + Rt$
ADDI	Integer Add Immediate	$Rt = Rs + \text{Immed}$
ADDIU	Unsigned Integer Add Immediate	$Rt = Rs +_{\text{U}} \text{Immed}$
ADDU	Unsigned Integer Add	$Rd = Rs +_{\text{U}} Rt$
AND	Logical AND	$Rd = Rs \& Rt$
ANDI	Logical AND Immediate	$Rt = Rs \& (0_{16} \parallel \text{Immed})$
B	Unconditional Branch (Assembler idiom for: BEQ r0, r0, offset)	$PC += (\text{int})\text{offset}$
BAL	Branch and Link (Assembler idiom for: BGEZAL r0, offset)	$GPR[31] = PC + 8$ $PC += (\text{int})\text{offset}$
BEQ	Branch On Equal	if $Rs == Rt$ $PC += (\text{int})\text{offset}$
BEQL	Branch On Equal Likely	if $Rs == Rt$ $PC += (\text{int})\text{offset}$ else Ignore Next Instruction
BGEZ	Branch on Greater Than or Equal To Zero	if $!Rs[31]$ $PC += (\text{int})\text{offset}$
BGEZAL	Branch on Greater Than or Equal To Zero And Link	$GPR[31] = PC + 8$ if $!Rs[31]$ $PC += (\text{int})\text{offset}$

Table 11-7 Instruction Set (Continued)

Instruction	Description	Function
BGEZALL	Branch on Greater Than or Equal To Zero And Link Likely	GPR[31] = PC + 8 if !Rs[31] PC += (int)offset else Ignore Next Instruction
BGEZL	Branch on Greater Than or Equal To Zero Likely	if !Rs[31] PC += (int)offset else Ignore Next Instruction
BGTZ	Branch on Greater Than Zero	if !Rs[31] && Rs != 0 PC += (int)offset
BGTZL	Branch on Greater Than Zero Likely	if !Rs[31] && Rs != 0 PC += (int)offset else Ignore Next Instruction
BLEZ	Branch on Less Than or Equal to Zero	if Rs[31] Rs == 0 PC += (int)offset
BLEZL	Branch on Less Than or Equal to Zero Likely	if Rs[31] Rs == 0 PC += (int)offset else Ignore Next Instruction
BLTZ	Branch on Less Than Zero	if Rs[31] PC += (int)offset
BLTZAL	Branch on Less Than Zero And Link	GPR[31] = PC + 8 if Rs[31] PC += (int)offset
BLTZALL	Branch on Less Than Zero And Link Likely	GPR[31] = PC + 8 if Rs[31] PC += (int)offset else Ignore Next Instruction
BLTZL	Branch on Less Than Zero Likely	if Rs[31] PC += (int)offset else Ignore Next Instruction
BNE	Branch on Not Equal	if Rs != Rt PC += (int)offset
BNEL	Branch on Not Equal Likely	if Rs != Rt PC += (int)offset else Ignore Next Instruction
BREAK	Breakpoint	Break Exception
CACHE	Cache Operation	See Cache Description
COP0	Coprocessor 0 Operation	See Coprocessor Description
CLO	Count Leading Ones	Rd = NumLeadingOnes(Rs)
CLZ	Count Leading Zeroes	Rd = NumLeadingZeroes(Rs)
DERET	Return from Debug Exception	PC = DEPC Exit Debug Mode

Table 11-7 Instruction Set (Continued)

Instruction	Description	Function
DIV	Divide	LO = (int)Rs / (int)Rt HI = (int)Rs % (int)Rt
DIVU	Unsigned Divide	LO = (uns)Rs / (uns)Rt HI = (uns)Rs % (uns)Rt
ERET	Return from Exception	if SR[2] PC = ErrorEPC else PC = EPC SR[1] = 0 SR[2] = 0 LL = 0
J	Unconditional Jump	PC = PC[31:28] offset<<2
JAL	Jump and Link	GPR[31] = PC + 8 PC = PC[31:28] offset<<2
JALR	Jump and Link Register	Rd = PC + 8 PC = Rs
JR	Jump Register	PC = Rs
LB	Load Byte	Rt = (byte)Mem[Rs+offset]
LBU	Unsigned Load Byte	Rt = (ubyte)Mem[Rs+offset]
LH	Load Halfword	Rt = (half)Mem[Rs+offset]
LHU	Unsigned Load Halfword	Rt = (uhalf)Mem[Rs+offset]
LL	Load Linked Word	Rt = Mem[Rs+offset] LL = 1 LLAdr = Rs + offset
LUI	Load Upper Immediate	Rt = immediate << 16
LW	Load Word	Rt = Mem[Rs+offset]
LWL	Load Word Left	Refer to Architecture Reference Manual
LWR	Load Word Right	Refer to Architecture Reference Manual
MADD	Multiply-Add	HI, LO += (int)Rs * (int)Rt
MADDU	Multiply-Add Unsigned	HI, LO += (uns)Rs * (uns)Rt
MFC0	Move From Coprocessor 0	Rt = CPR[0, n, sel] = Rt
MFHI	Move From HI	Rd = HI
MFLO	Move From LO	Rd = LO
MOVN	Move Conditional on Not Zero	if GPR[rt] ≠ 0 then GPR[rd] ← GPR[rs]
MOVZ	Move Conditional on Zero	if GPR[rt] = 0 then GPR[rd] ← GPR[rs]
MSUB	Multiply-Subtract	HI, LO -= (int)Rs * (int)Rt
MSUBU	Multiply-Subtract Unsigned	HI, LO -= (uns)Rs * (uns)Rt

Table 11-7 Instruction Set (Continued)

Instruction	Description	Function
MTC0	Move To Coprocessor 0	CPR[0, n] = Rt SEL
MTHI	Move To HI	HI = Rs
MTLO	Move To LO	LO = Rs
MUL	Multiply with register write	HI LO = Unpredictable Rd = LO
MULT	Integer Multiply	HI LO = (int)Rs * (int)Rd
MULTU	Unsigned Multiply	HI LO = (uns)Rs * (uns)Rd
NOP	No Operation (Assembler idiom for: SLL r0, r0, r0)	
NOR	Logical NOR	Rd = ~(Rs Rt)
OR	Logical OR	Rd = Rs Rt
ORI	Logical OR Immediate	Rt = Rs Immed
PREF	Prefetch	Load Specified Line into Cache
SB	Store Byte	(byte)Mem[Rs+offset] = Rt
SC	Store Conditional Word	if LL = 1 mem[Rxoffsets] = Rt Rt = LL
SDBBP	Software Debug Break Point	Trap to SW Debug Handler
SH	Store Half	(half)Mem[Rs+offset] = Rt
SLL	Shift Left Logical	Rd = Rt << sa
SLLV	Shift Left Logical Variable	Rd = Rt << Rs[4:0]
SLT	Set on Less Than	if (int)Rs < (int)Rt Rd = 1 else Rd = 0
SLTI	Set on Less Than Immediate	if (int)Rs < (int)Immed Rt = 1 else Rt = 0
SLTIU	Set on Less Than Immediate Unsigned	if (uns)Rs < (uns)Immed Rt = 1 else Rt = 0
SLTU	Set on Less Than Unsigned	if (uns)Rs < (uns)Immed Rd = 1 else Rd = 0
SRA	Shift Right Arithmetic	Rd = (int)Rt >> sa
SRAV	Shift Right Arithmetic Variable	Rd = (int)Rt >> Rs[4:0]
SRL	Shift Right Logical	Rd = (uns)Rt >> sa
SRLV	Shift Right Logical Variable	Rd = (uns)Rt >> Rs[4:0]

Table 11-7 Instruction Set (Continued)

Instruction	Description	Function
SSNOP	Superscalar Inhibit No Operation	
SUB	Integer Subtract	$Rt = (int)Rs - (int)Rd$
SUBU	Unsigned Subtract	$Rt = (uns)Rs - (uns)Rd$
SW	Store Word	$Mem[Rs+offset] = Rt$
SWL	Store Word Left	Refer to Architecture Reference Manual
SWR	Store Word Right	Refer to Architecture Reference Manual
SYNC	Synchronize	See SYNC instruction on page 194 .
SYSCALL	System Call	SystemCallException
TEQ	Trap if Equal	if $Rs == Rt$ TrapException
TEQI	Trap if Equal Immediate	if $Rs == (int)Immed$ TrapException
TGE	Trap if Greater Than or Equal	if $(int)Rs \geq (int)Rt$ TrapException
TGEI	Trap if Greater Than or Equal Immediate	if $(int)Rs \geq (int)Immed$ TrapException
TGEIU	Trap if Greater Than or Equal Immediate Unsigned	if $(uns)Rs \geq (uns)Immed$ TrapException
TGEU	Trap if Greater Than or Equal Unsigned	if $(uns)Rs \geq (uns)Rt$ TrapException
TLBWI	Write Indexed TLB Entry (4K core)	See TLBWI instruction on page 198 .
TLBWR	Write Random TLB Entry (4K core)	See TLBWR instruction on page 200 .
TLBP	Probe TLB for Matching Entry (4K core)	See Architecture Reference Manual.
TLBR	Read Index for TLB Entry (4K core)	See TLBR instruction on page 196 .
TLT	Trap if Less Than	if $(int)Rs < (int)Rt$ TrapException
TLTI	Trap if Less Than Immediate	if $(int)Rs < (int)Immed$ TrapException
TLTIU	Trap if Less Than Immediate Unsigned	if $(uns)Rs < (uns)Immed$ TrapException
TLTU	Trap if Less Than Unsigned	if $(uns)Rs < (uns)Rt$ TrapException
TNE	Trap if Not Equal	if $Rs != Rt$ TrapException
TNEI	Trap if Not Equal Immediate	if $Rs != (int)Immed$ TrapException
WAIT	Wait for Interrupts	Stall until interrupt occurs

Table 11-7 Instruction Set (Continued)

Instruction	Description	Function
XOR	Exclusive OR	$Rd = Rs \wedge Rt$
XORI	Exclusive OR Immediate	$Rt = Rs \wedge (\text{uns})\text{Immed}$

Perform Cache Operation				CACHE
31	26 25	21 20	16 15	0
CACHE 101111	base	op	offset	
6	5	5	16	

Format: CACHE op, offset(base)

MIPS32

Purpose:

To perform the cache operation specified by op.

Description:

The 16-bit offset is sign-extended and added to the contents of the base register to form an effective address. The effective address is used in one of the following ways based on the operation to be performed and the type of cache as described in the following table.

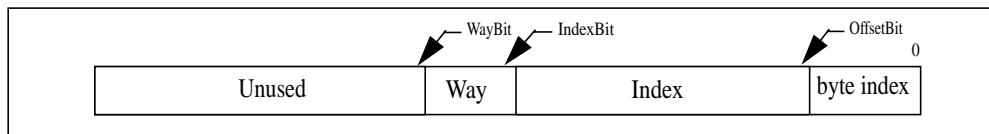
Table 11-8 Usage of Effective Address

Operation Requires an	Type of Cache	Usage of Effective Address
Address	Physical	The effective address is translated by the MMU to a physical address. The physical address is then used to address the cache
Index	N/A	<p>The effective address is translated by the MMU to a physical address. It is implementation dependent whether the effective address or the translated physical address is used to index the cache.</p> <p>Assuming that the total cache size in bytes is CS, the associativity is A, and the number of bytes per tag is BPT, the following calculations give the fields of the address which specify the way and the index:</p> $\begin{aligned} \text{OffsetBit} &\leftarrow \text{Log}_2(\text{BPT}) \\ \text{IndexBit} &\leftarrow \text{Log}_2(\text{CS} / \text{A}) \\ \text{WayBit} &\leftarrow \text{IndexBit} + \text{Ceiling}(\text{Log}_2(\text{A})) \\ \text{Way} &\leftarrow \text{Addr}_{\text{WayBit}-1..\text{IndexBit}} \\ \text{Index} &\leftarrow \text{Addr}_{\text{IndexBit}-1..\text{OffsetBit}} \end{aligned}$ <p>For a direct-mapped cache, the Way calculation is ignored and the Index value fully specifies the cache tag. This is shown symbolically in the figure below.</p>

Perform Cache Operation

CACHE

Figure 11-1 Usage of Address Fields to Select Index and Way



A TLB Refill and TLB Invalid (both with cause code equal TLBL) exception can occur on any operation. For index operations (where the address is used to index the cache but need not match the cache tag) software should use unmapped addresses to avoid TLB exceptions. This instruction never causes TLB Modified exceptions nor TLB Refill exceptions with a cause code of TLBS, nor data Watch exceptions.

A Cache Error exception may occur as a byproduct of some operations performed by this instruction. For example, if a Writeback operation detects a cache or bus error during the processing of the operation, that error is reported via a Cache Error exception. Similarly, a Bus Error Exception may occur if a bus operation invoked by this instruction is terminated in an error.

An address Error Exception (with cause code equal AdEL) occurs if the effective address references a portion of the kernel address space which would normally result in such an exception. Data watch is not triggered by a cache instruction whose address matches the Watch register address match conditions.

Bits [17:16] of the instruction specify the cache on which to perform the operation, as follows:

Table 11-9 Encoding of Bits[17:16] of CACHE Instruction

Code	Name	Cache
2#00	I	Primary Instruction
2#01	D	Primary Data
2#10	T	Not supported
2#11	S	Not supported

Bits [20:18] of the instruction specify the operation to perform. On Index Load Tag and Index Store Data operations, the specific word that is addressed is loaded into / read from the DataLo. All other cache instructions are line-based and the word and byte indexes will not affect their operation.

Perform Cache Operation

CACHE

Table 11-10 Encoding of Bits [20:18] of the CACHE Instruction ErrCtl[WST,SPR] Cleared

Code	Caches	Name	Effective Address Operand Type	Operation	Implemented?
2#000	I	Index Invalidate	Index	Set the state of the cache block at the specified index to invalid. This encoding may be used by software to invalidate the entire instruction cache by stepping through all valid indices.	Yes
	D	Index Invalidate	Index	Set the state of the cache block at the specified index to invalid.	Yes
	S, T	Reserved	Index	This encoding may be used by software to invalidate the entire data cache by stepping through all valid indices. Note that Index Store Tag should be used to initialize the cache at powerup.	No
2#001	I,D	Index Load Tag	Index	Read the tag for the cache block at the specified index into the <i>TagLo</i> Coprocessor 0 register. Also read the data corresponding to the byte index into the <i>DataLo</i> register.	Yes
2#010	I,D	Index Store Tag	Index	Write the tag for the cache block at the specified index from the <i>TagLo</i> Coprocessor 0 register. This encoding may be used by software to initialize the entire instruction or data caches by stepping through all valid indices. Doing so requires that the <i>TagLo</i> and <i>TagHi</i> registers associated with the cache be initialized first.	Yes
2#011	All	Reserved	Unspecified	Executed as a no-op.	No

Table 11-10 Encoding of Bits [20:18] of the CACHE Instruction ErrCtl[WST,SPR] Cleared

Code	Caches	Name	Effective Address Operand Type	Operation	Implemented?
2#100	I, D	Hit Invalidate	Address	If the cache block contains the specified address, set the state of the cache block to invalid.	Yes
	S, T	Reserved	Address	This encoding may be used by software to invalidate a range of addresses from the instruction cache by stepping through the address range by the line size of the cache.	No
2#101	I	Fill	Address	Fill the cache from the specified address. The cache line is refetched even if it is already in the cache.	Yes
	D	Hit Invalidate	Address	If the cache block contains the specified address, set the state of the cache block to invalid.	Yes
	S, T	Reserved	Address	This encoding may be used by software to invalidate a range of addresses from the data cache by stepping through the address range by the line size of the cache.	No
2#110	D	Reserved	Address	Executed as a no-op.	No
	S, T	Reserved	Address		No
2#111	I, D	Fetch and Lock	Address	If the cache does not contain the entire line at the specified address, it is fetched from memory, and the state is set to locked. If the cache already contains the line, set the state to locked. The lock state may be cleared by executing an Index Invalidate or Hit Invalidate operation to the locked line, or via an Index Store Tag operation to the line that clears the lock bit.	Yes

Table 11-11 Encoding of Bits [20:18] of the CACHE Instruction, ErrCtl[WST] Set. ErrCtl[SPR] Cleared

Code	Caches	Name	Effective Address Operand Type	Operation	Implemented?
2#011	I, D	Index Store Data	Index	Write the <i>DataLo</i> Coprocessor 0 register contents at the way and byte index specified.	Yes
All Others	All			All of the other codes behave the same as when ErrCtl[WST] is cleared.	

Table 11-12 Encoding of Bits [20:18] of the CACHE Instruction, ErrCtl[SPR] Set

Code	Caches	Name	Effective Address Operand Type	Operation	Implemented?
2#001	I, D	Index Load Tag	Index	Read the SPRAM tag at the specified index into the <i>TagLo</i> Coprocessor 0 register.	Yes
2#010	I, D	Index Store Tag	Index	Update the SPRAM tag at the specified index from the <i>TagLo</i> Coprocessor 0 register.	Yes
2#011	I, D	Index Store Data	Index	Write the <i>DataLo</i> Coprocessor 0 register contents into the SPRAM at the word index specified.	Yes
All Others	All			All of the other codes behave the same as when ErrCtl[SPR] is cleared.	

Perform Cache Operation (cont.)**CACHE****Restrictions:**

The operation of this instruction is **UNDEFINED** for any operation/cache combination that is not implemented.

The operation of this instruction is **UNDEFINED** if the operation requires an address, and that address is uncacheable.

Operation:

```
vAddr ← GPR[base] + sign_extend(offset)
(pAddr, uncached) ← AddressTranslation(vAddr, DataReadReference)
CacheOp(op, vAddr, pAddr)
```

Exceptions:

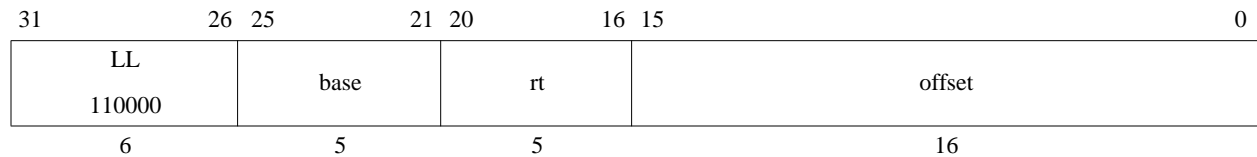
TLB Refill Exception.

TLB Invalid Exception

Coprocessor Unusable Exception

Address Error Exception

Bus Error Exception

Load Linked Word**LL****Format:** LL *rt*, *offset*(*base*)**MIPS32****Purpose:**

To load a word from memory for an atomic read-modify-write

Description: $rt \leftarrow \text{memory}[\text{base} + \text{offset}]$

The LL and SC instructions provide the primitives to implement atomic read-modify-write (RMW) operations for cached memory locations.

The 16-bit signed *offset* is added to the contents of GPR *base* to form an effective address. The contents of the 32-bit word at the memory location specified by the aligned effective address are fetched, sign-extended to the GPR register length if necessary, and written into GPR *rt*.

This begins a RMW sequence on the current processor. There can be only one active RMW sequence per processor.

When an LL is executed it starts an active RMW sequence replacing any other sequence that was active.

The RMW sequence is completed by a subsequent SC instruction that either completes the RMW sequence atomically and succeeds, or does not and fails.

Executing LL on one processor does not cause an action that, by itself, causes an SC for the same block to fail on another processor.

An execution of LL does not have to be followed by execution of SC; a program is free to abandon the RMW sequence without attempting a write.

Restrictions:

The addressed location must be cached; if it is not, the result is undefined.

The effective address must be naturally-aligned. If either of the 2 least-significant bits of the effective address is non-zero, an Address Error exception occurs.

Operation:

```

vAddr ← sign_extend(offset) + GPR[base]
if vAddr1..0 ≠ 02 then
    SignalException(AddressError)
endif
(pAddr, CCA) ← AddressTranslation (vAddr, DATA, LOAD)
memword ← LoadMemory (CCA, WORD, pAddr, vAddr, DATA)
GPR[rt] ← memword
LLbit ← 1

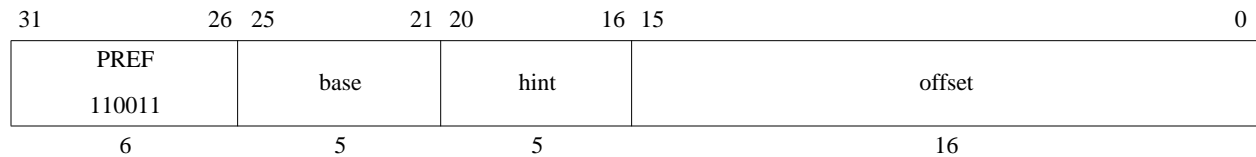
```

Load Linked Word (cont.)**LL****Exceptions:**

TLB Refill, TLB Invalid, Address Error, Reserved Instruction

Programming Notes:

There is no Load Linked Word Unsigned operation corresponding to Load Word Unsigned.

Prefetch**PREF****Format:** `PREF hint,offset(base)`**MIPS32****Purpose:**

To move data between memory and cache.

Description: `prefetch_memory(base+offset)`

PREF adds the 16-bit signed *offset* to the contents of GPR *base* to form an effective byte address. The *hint* field supplies information about the way that the data is expected to be used.

PREF is an advisory instruction that may change the performance of the program. However, for all *hint* values and all effective addresses, it neither changes the architecturally visible state nor does it alter the meaning of the program.

PREF does not cause addressing-related exceptions. If the address specified would cause an addressing exception, the exception condition is ignored and no data movement occurs. However even if no data is prefetched, some action that is not architecturally visible, such as writeback of a dirty cache line, can take place.

PREF never generates a memory operation for a location with an *uncached* memory access type.

If PREF results in a memory operation, the memory access type used for the operation is determined by the memory access type of the effective address, just as it would be if the memory operation had been caused by a load or store to the effective address.

The *hint* field supplies information about the way the data is expected to be used. A *hint* value cannot cause an action to modify architecturally visible state.

Prefetch (cont.)**PREF**

Any of the following conditions causes the 4K core to treat a PREF instruction as a NOP.

- A reserved *hint* value is used
- Writeback-invalidate (25) *hint* value is used
- The address has a translation error
- The address maps to an uncacheable page
- The data is already in the cache
- There is already another load/prefetch outstanding

In all other cases, except when *hint* equals 25, execution of the PREF instruction initiates an external bus read transaction. PREF is a non-blocking operation and does not cause the pipeline to stall while waiting for the data to be returned.

Table 11-13 Values of the *hint* Field for the PREF Instruction

Value	Name	Data Use and Desired Prefetch Action
0	load	Use: Prefetched data is expected to be read (not modified). Action: Fetch data as if for a load.
1	store	Use: Prefetched data is expected to be stored or modified. Action: Fetch data as if for a store.
2-3	Reserved	Reserved - treated as a NOP.
4	load_streamed	Use: Prefetched data is expected to be read (not modified) but not reused extensively; it “streams” through cache. Action: Fetch data as if for a load and place it in the cache so that it does not displace data prefetched as “retained.”
5	store_streamed	Use: Prefetched data is expected to be stored or modified but not reused extensively; it “streams” through cache. Action: Fetch data as if for a store and place it in the cache so that it does not displace data prefetched as “retained.”
6	load_retained	Use: Prefetched data is expected to be read (not modified) and reused extensively; it should be “retained” in the cache. Action: Fetch data as if for a load and place it in the cache so that it is not displaced by data prefetched as “streamed.”
7	store_retained	Use: Prefetched data is expected to be stored or modified and reused extensively; it should be “retained” in the cache. Action: Fetch data as if for a store and place it in the cache so that it is not displaced by data prefetched as “streamed.”

Table 11-13 Values of the *hint* Field for the PREF Instruction

8-24	Reserved	Reserved - treated as a NOP.
25	writeback_invalidate (also known as “nudge”)	Use: Data is no longer expected to be used. Treated as a NOP.
26-29	Implementation Dependent	Reserved - treated as a NOP.
30	PrepareForStore	Use: Prepare the cache for writing an entire line, without the overhead involved in filling the line from memory. Reserved - treated as a NOP.
31	Implementation Dependent	Reserved - treated as a NOP.

Prefetch (cont.)**PREF****Restrictions:**

None

Operation:

```
vAddr ← GPR[base] + sign_extend(offset)
(pAddr, CCA) ← AddressTranslation(vAddr, DATA, LOAD)
Prefetch(CCA, pAddr, vAddr, DATA, hint)
```

Exceptions:

Prefetch does not take any TLB-related or address-related exceptions under any circumstances.

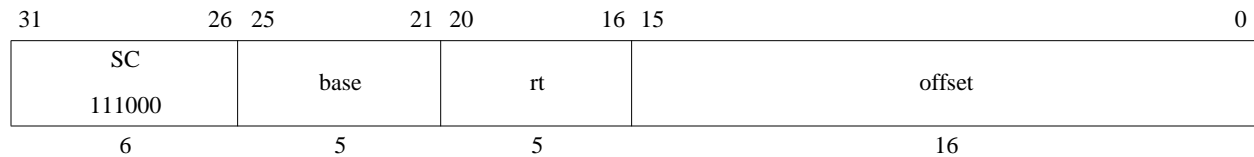
Programming Notes:

Prefetch cannot prefetch data from a mapped location unless the translation for that location is present in the TLB. Locations in memory pages that have not been accessed recently may not have translations in the TLB, so prefetch may not be effective for such locations.

Prefetch does not cause addressing exceptions. It does not cause an exception to prefetch using an address pointer value before the validity of a pointer is determined.

Store Conditional Word

SC

**Format:** SC *rt*, *offset*(*base*)**MIPS32****Purpose:**

To store a word to memory to complete an atomic read-modify-write

Description: if `atomic_update` then `memory[base+offset] ← rt`, `rt ← 1` else `rt ← 0`

The LL and SC instructions provide primitives to implement atomic read-modify-write (RMW) operations for cached memory locations.

The 16-bit signed *offset* is added to the contents of GPR *base* to form an effective address.

The SC completes the RMW sequence begun by the preceding LL instruction executed on the processor. To complete the RMW sequence atomically, the following occur:

- The least-significant 32-bit word of GPR *rt* is stored into memory at the location specified by the aligned effective address.
- A 1, indicating success, is written into GPR *rt*.

Otherwise, memory is not modified and a 0, indicating failure, is written into GPR *rt*.

If the following event occurs between the execution of LL and SC, the SC fails:

- An exception occurs on the processor executing the LL/SC.
- If either of the following events occurs between the execution of LL and SC, the SC may succeed or it may fail; the success or failure is not predictable. Portable programs should not cause one of these events.
- A load, store, or prefetch is executed on the processor executing the LL/SC.
 - The instructions executed starting with the LL and ending with the SC do not lie in a 2048-byte contiguous region of virtual memory. The region does not have to be aligned, other than the alignment required for instruction words.

The following conditions must be true or the result of the SC is undefined:

- Execution of SC must have been preceded by execution of an LL instruction.
- A RMW sequence executed without intervening exceptions must use the same address in the LL and SC. The address is the same if the virtual address, physical address, and cache-coherence algorithm are identical.

Store Conditional Word (cont.)**SC**

Atomic RMW is provided only for cached memory locations. The extent to which the detection of atomicity operates correctly depends on the system implementation and the memory access type used for the location:

- **MP atomicity:** To provide atomic RMW among multiple processors, all accesses to the location must be made with a memory access type of *cached coherent*.
- **Uniprocessor atomicity:** To provide atomic RMW on a single processor, all accesses to the location must be made with memory access type of either *cached noncoherent* or *cached coherent*. All accesses must be to one or the other access type, and they may not be mixed.

I/O System: To provide atomic RMW with a coherent I/O system, all accesses to the location must be made with a memory access type of *cached coherent*. If the I/O system does not use coherent memory operations, then atomic RMW cannot be provided with respect to the I/O reads and writes.

Restrictions:

The addressed location must have a memory access type of *cached noncoherent* or *cached coherent*; if it does not, the result is undefined.

The effective address must be naturally-aligned. If either of the 2 least-significant bits of the address is non-zero, an Address Error exception occurs.

Operation:

```
vAddr ← sign_extend(offset) + GPR[base]
if vAddr1..0 ≠ 02 then
    SignalException(AddressError)
endif
(pAddr, CCA) ← AddressTranslation (vAddr, DATA, STORE)
dataword ← GPR[rt]
if LLbit then
    StoreMemory (CCA, WORD, dataword, pAddr, vAddr, DATA)
endif
GPR[rt] ← 031 || LLbit
```

Store Conditional Word (cont.)**SC****Exceptions:**

TLB Refill, TLB Invalid, TLB Modified, Address Error, Reserved Instruction

Programming Notes:

LL and SC are used to atomically update memory locations, as shown below.

```
L1:
    LL    T1, (T0) # load counter
    ADDI  T2, T1, 1 # increment
    SC    T2, (T0) # try to store, checking for atomicity
    BEQ   T2, 0, L1 # if not atomic (0), try again
    NOP                   # branch-delay slot
```

Exceptions between the LL and SC cause SC to fail, so persistent exceptions must be avoided. Some examples of these are arithmetic operations that trap, system calls, and floating point operations that trap or require software emulation assistance.

LL and SC function on a single processor for *cached noncoherent* memory so that parallel programs can be run on uniprocessor systems that do not support *cached coherent* memory access types.

Synchronize Shared Memory**SYNC**

31	26 25	21 20	16 15	11 10	6 5	0
SPECIAL	0			stype	SYNC	
000000	00 0000 0000 0000 0				001111	
6	15			5	6	

Format: SYNC (stype = 0 implied)**MIPS32****Purpose:**

To order loads and stores.

Description:

Simple Description:

- SYNC affects only *uncached* and *cached coherent* loads and stores. The loads and stores that occur before the SYNC must be completed before the loads and stores after the SYNC are allowed to start.
- Loads are completed when the destination register is written. Stores are completed when the stored value is visible to every other processor in the system.
- SYNC is required, potentially in conjunction with SSNOP, to guarantee that memory reference results are visible across operating mode changes. For example, a SYNC is required on some implementations on entry to and exit from Debug Mode to guarantee that memory affects are handled correctly.

Detailed Description:

- SYNC does not guarantee the order in which instruction fetches are performed. The *stype* values 1-31 are reserved; they produce the same result as the value zero.
- Executing the SYNC instruction causes the write-through buffer to be flushed. The SYNC instruction stalls until all loads and stores are completed.
- The information presented here refers to the MIPS 4K core implementation of the SYNC instruction. For a more detailed description of the programming effects of SYNC on a generic MIPS32 processor, refer to the MIPS32 Architecture Reference Manual.

Synchronize Shared Memory (cont.)**SYNC****Restrictions:**

The effect of SYNC on the global order of loads and stores for memory access types other than *uncached* and *cached coherent* is **UNPREDICTABLE**.

Operation:

`SyncOperation(stype)`

Exceptions:

None

Read Indexed TLB Entry

TLBR

31	26	25	24	6	5	0
COP0	CO	0			TLBR	
010000	1	000 0000 0000 0000 0000			000001	
6	1	19			6	

Format: TLBR**MIPS32****Purpose:**

To read an entry from the TLB.

Description:

The *EntryHi*, *EntryLo0*, *EntryLo1*, and *PageMask* registers are loaded with the contents of the TLB entry pointed to by the Index register. Note that the value written to the *EntryHi*, *EntryLo0*, and *EntryLo1* registers may be different from that originally written to the TLB via these registers in that:

- The value returned in the G bit in both the *EntryLo0* and *EntryLo1* registers comes from the single G bit in the TLB entry. Recall that this bit was set from the logical AND of the two G bits in *EntryLo0* and *EntryLo1* when the TLB was written.
- The value returned in the ASID field of the *EntryHi* register is zero for those chips that implement a BAT-based MMU organization.

Restrictions:

The operation is **UNDEFINED** if the contents of the Index register are greater than or equal to the number of TLB entries in the processor.

Read Indexed TLB Entry

TLBR

Operation:

```

i ← Index
if i > (TLBEntries - 1) then
    UNDEFINED
endif
PageMaskMask ← TLB[i]Mask
EntryHi ←
    TLB[i]VPN2 ||
    05 || TLB[i]ASID
EntryLo1 ← 02 ||
    TLB[i]PFN1 ||
    TLB[i]C1 || TLB[i]D1 || TLB[i]V1 || TLB[i]G
EntryLo0 ← 02 ||
    TLB[i]PFN0 ||
    TLB[i]C0 || TLB[i]D0 || TLB[i]V0 || TLB[i]G

```

Exceptions:

Coproprocessor Unusable

Write Indexed TLB Entry**TLBWI**

31	26	25	24	6	5	0
COP0	CO	0			TLBWI	
010000	1	000 0000 0000 0000 0000			000010	
6	1	19			6	

Format: TLBWI**MIPS32****Purpose:**

To write a TLB entry indexed by the *Index* register.

Description:

The TLB entry pointed to by the *Index* register is written from the contents of the *EntryHi*, *EntryLo0*, *EntryLo1*, and *PageMask* registers. The information written to the TLB entry may be different from that in the *EntryHi*, *EntryLo0*, and *EntryLo1* registers, in that:

- The single G bit in the TLB entry is set from the logical AND of the G bits in the *EntryLo0* and *EntryLo1* registers.

Restrictions:

The operation is **UNDEFINED** if the contents of the *Index* register are greater than or equal to the number of TLB entries in the processor.

Write Indexed TLB Entry**TLBWI****Operation:**

```

i ← Index
TLB[i]Mask ← PageMaskMask
TLB[i]VPN2 ← EntryHiVPN2
TLB[i]ASID ← EntryHiASID
TLB[i]G ← EntryLo1G and EntryLo0G
TLB[i]PFN1 ← EntryLo1PFN
TLB[i]C1 ← EntryLo1C
TLB[i]D1 ← EntryLo1D
TLB[i]V1 ← EntryLo1V
TLB[i]PFN0 ← EntryLo0PFN
TLB[i]C0 ← EntryLo0C
TLB[i]D0 ← EntryLo0D
TLB[i]V0 ← EntryLo0V

```

Exceptions:

Coprocessor Unusable

Write Random TLB Entry**TLBWR**

31	26	25	24	6	5	0
COP0	CO	0			TLBWR	
010000	1	000 0000 0000 0000 0000			000110	
6	1	19			6	

Format: TLBWR**MIPS32****Purpose:**

To write a TLB entry indexed by the *Random* register.

Description:

The TLB entry pointed to by the *Random* register is written from the contents of the *EntryHi*, *EntryLo0*, *EntryLo1*, and *PageMask* registers. The information written to the TLB entry may be different from that in the *EntryHi*, *EntryLo0*, and *EntryLo1* registers, in that:

- The value returned in the G bit in both the *EntryLo0* and *EntryLo1* registers comes from the single G bit in the TLB entry. Recall that this bit was set from the logical AND of the two G bits in *EntryLo0* and *EntryLo1* when the TLB was written.

Restrictions:

The operation is **UNDEFINED** if the contents of the Index register are greater than or equal to the number of TLB entries in the processor.

Write Random TLB Entry**TLBWR****Operation:**

```

i ← Random
TLB[i]Mask ← PageMaskMask
TLB[i]VPN2 ← EntryHiVPN2
TLB[i]ASID ← EntryHiASID
TLB[i]G ← EntryLo1G and EntryLo0G
TLB[i]PFN1 ← EntryLo1PFN
TLB[i]C1 ← EntryLo1C
TLB[i]D1 ← EntryLo1D
TLB[i]V1 ← EntryLo1V
TLB[i]PFN0 ← EntryLo0PFN
TLB[i]C0 ← EntryLo0C
TLB[i]D0 ← EntryLo0D
TLB[i]V0 ← EntryLo0V

```

Exceptions:

Coprocessor Unusable

Enter Standby Mode			WAIT
31	26 25 24	6 5	0
COP0 010000	CO 1	Implementation-Dependent Code	WAIT 100000
6	1	19	6

Format: WAIT

MIPS32

Purpose:

Wait for Event

Description:

The WAIT instruction forces the core into low power mode. The pipeline is stalled and when all external requests are completed, the processor’s main clock is stopped. The processor will restart when reset (SI_Reset or SI_ColdReset) is signaled, or a non-masked interrupt is taken (SI_NMI, SI_Int, or EJ_DINT). Note that the 4Kc, 4Kp & 4Km cores do not use the code field in this instruction.

Restrictions:

The operation of the processor is **UNDEFINED** if a WAIT instruction is placed in the delay slot of a branch or a jump.

Enter Standby Mode (cont.)**WAIT****Operation:**

Enter lower power mode

Exceptions:

Coprocessor Unusable Exception

Revision History

In the left hand page margins of this document you may find vertical change bars to note the location of significant changes to this document since its last release. Significant changes are defined as those which you should take note of as you use the MIPS IP. Changes to correct grammar, spelling errors or similar may or may not be noted with change bars. Change bars will be removed for changes which are more than one revision old.

Please note: Limitations on the authoring tools make it difficult to place change bars on changes to figures. Change bars on figure titles are used to denote a potential change in the figure itself. Certain parts of this document (Instruction set descriptions, EJTAG register definitions) are references to Architecture specifications, and the change bars within these sections indicate alterations since the previous version of the relevant Architecture document.

Revision	Date	Description
1.0	August, 1999	• First released version

Revision	Date	Description
1.1	November, 1999	<ul style="list-style-type: none"> • Re-organization to be more of a Software User's Manual. Removed System Interface chapter. • Count register no longer stops incrementing in DebugMode - New bit added to Debug register to indicate this: CountDM • New Bits added to Debug register for handling of imprecise exceptions: IEXI, DBusEP, IBusEP • Added description of SubBlock ordering • New MDU timing. Updated pipeline diagrams and text in Chap. 2 to reflect new timing • Modified Reset description. SoftReset cannot be masked by the core. SoftReset does not need to be asserted when Reset is asserted • ASID is not used in EJTAG breakpoint comparisons if the TLB is not implemented • Added MT Compare to Timer Interrupt cleared to list of Hazard conditions • Fixed Hazard from setting of SW Interrupt to Interrupted instruction • Changed SPECIAL opcode map to reflect MOVCI FP instn as a Coprocessor Instn rather than a Reserved Instn • L2 Cache encodings of CACHE instn are reserved. • Added note that I Fill CACHE instn will cause a re-fetch even if the line is in the cache • MUL instn description reiterates that the contents of HI/LO are unpredictable after the MUL operation. • Added ERL=1 as possible reason for being in kernel mode in the kseg descriptions • Swapped priority of RI and CU exceptions • Changed general exception code pseudo-code to have correct vector offset of 0x180 • Fixed typo in bus error description: stores OR non-critical words... not stores of non-critical words • Changed TLBWI to TLBWR in Random register description • Added note that behavior is undefined if illegal page mask value is used • Added note that Status_{TS}, Status_{SR}, and Status_{NMI} bits and Cause_{WP} cannot be set by software • Noted undefined behavior if Status_{ERL} is set while executing code in useg/kuseg • Added Config1_{PC} and Config1_{CA} bits. Both wired to 0

Revision	Date	Description
1.1, continue	November, 1999	<ul style="list-style-type: none"> • Changed Reset state of Watch_I, Watch_R, and Watch_W to 0 from undefined • Removed some false statements about WAIT induced sleep mode • CLO/CLZ instn description changed to reflect use of rd as destination register instead of rt • Add sel field to format statements in MFC0/MTC0 instns • Removed redundant statement about writeback invalidate from PREF instn • Add programming note to multiply instructions that smaller source value should be placed in rt • Updated listing of HW initialized Cop0 bits in Reset chapter
1.2	December, 1999	<ul style="list-style-type: none"> • Removed implication of internal mux for SI_TimerInt from description of Compare register
01.03	January 28, 2000	<ul style="list-style-type: none"> • Cleaned up old references to ‘both’ cores • Fixed some typos • Fixed pipe stages in figure 2-12 • Added details on D-side micro TLB • Cleaned up usage of trademarks • Renamed title to <i>MIPS32 4k™ Processor Core Family Software User’s Manual</i> • Changed revision numbering to xx.yy format for consistency with other documents
01.04	March 23, 2000	<ul style="list-style-type: none"> • Cleaned up some old paragraph leftovers • Changed look of Table of Contents, List of Figures and List of Tables • Added timing information regarding Early In to divide algorithm for 4Kc and 4Km • Fixed CLO/CLZ description in section 10.7 to reflect rt -> rd change in definition • Cleaned up Config register definition. Defined BM field, defined reset state of several fields. Changed reserved fields to 0 fields • Cleaned up decode tables - fixed font problems and multi-line instn text • Updated PREF description • Made reset state of Status_{RP} 0 • Fixed some Spell-check issues.
01.05	May 8, 2000	<ul style="list-style-type: none"> • Clarified “Fetch and Lock” CACHE description. • Removed text saying that the upper bits of PrID were available for implementors.
01.06	June 8, 2000	<ul style="list-style-type: none"> • Rephrased field description of DataLo register. • Updated copyright and trademark notices.
01.07	June 19, 2000	<ul style="list-style-type: none"> • Clarified initialization of Status.RP and WatchLo.{I,R,W} bits during Cold Reset in Chapters 4 and 5.

Revision	Date	Description
01.08	July 18, 2000	<ul style="list-style-type: none"> Added bit numbering to Table 10-1 on page 165 describing the active bytes in various access types Reformatted Cover sheet, added MD # Removed PrID column from this table
01.09	October 27, 2000	<ul style="list-style-type: none"> Corrected PrRst bit in EJTAG Control Register to control EJ_PrRst pin (was EJ_PerRst pin). Clarified use of <i>SI_Reset</i> input in the Soft Reset description. Clarified effective address calculation in the description of the CACHE instruction. Small wording updates in the entire document. Added Scratch Pad bullet in Feature list. Added Multiply/divide bullet for 4Kp core in Feature list. Added Data-bypass section to Pipeline chapter. Added abbreviation explanation to Figure 2-1, Figure 2-2 and Figure 2-3. Corrected latency numbers for Divide in Table 2-1. Modified Figure 2-8, to make it more obvious what goes on. Corrected clock numbers for divide in Figure 2-11, Figure 2-12 and Figure 2-13. Re-arranged Chapter 3, "Memory Management," on page 31. Modes of operation is moved first, and JTLB entry contents is now included in the TLB translation section. Changed SR to Status when CP0 Status register was referenced in Chapter 4, "Exceptions." Changed some references from "instruction" to "data" in the data breakpoint section of Chapter 9, "EJTAG Debug Support." Moved instruction Hazard section from Chapter 11, "MIPS32 4K Processor Core Instructions," to Chapter 2, "Pipeline." Changed all references of Block Address Translation (BAT) to Fixed Mapping (FM) for consistency with other MIPS documents.
01.10	October 31, 2000	<ul style="list-style-type: none"> Converted document to new template.
01.11	December 4, 2000	<ul style="list-style-type: none"> Fixed typo in opcode Table 11-2 on page 170 (MUTLU -> MULTU). Changed MFCz/MTCz in Table 11-5 on page 170 to MFC0/MTC0.
01.12	January 3, 2001	<ul style="list-style-type: none"> Made CountDM bit in Debug register read/write, so software can control whether Count register increments in Debug Mode.
01.13	March 3, 2001	<ul style="list-style-type: none"> Miscellaneous minor text tweaks based on review feedback. Tagged source to make core specific document.

Revision	Date	Description
01.14	June 20, 2001	<ul style="list-style-type: none"> Fixed some core specific tagging. Updated to document template revision 01.04 Updated the instruction descriptions from the Architecture Manual. Added missing footnote in Table 2-6 on page 28. Fixed typo in description of LSNM field in Table 5-26 on page 102. Correct name of ASIDsup field in IBS (Table 9-7 on page 131) and DBS (Table 9-13 on page 137) registers. Correct name of ASIDuse field in IBCn (Table 9-11 on page 135) and DBCn (Table 9-17 on page 141) registers. Updated reset state of Doze and Halt bits in EJTAG Control register (Table 9-23 on page 153). First collom in sub-table for Psz field is changed from PA to PAA (Table 9-23 on page 153). Added a better Restriction example (subsequently removed in revision 01.17). Added B, BAL and NOP to list of instructions (Table 11-7 on page 171). In functions fields for LWL, LWR, SWL, SWR, SYNC, TLBWI, TLBWR, TLBP and TLBR. Pointed reader to see instruction description (Table 11-7 on page 171).
01.15	September 25, 2001	<ul style="list-style-type: none"> Added details on new core features - Index Store Data CACHE instn, ErrCtl Cop0 register, EJTAG FASTDATA instruction
01.16	March 13, 2002	<ul style="list-style-type: none"> Updated EJTAG Version in Debug register Added description of constant fields in Debug register - NoDCR, NoSSt, MCheckP, CacheEP, DDBSImpr, DDBLImpr Document SB bit in Config - indicates whether SimpleBE mode is active or not Added ISP,DSP bits in Config register. Indicate whether ISPRAM or DSPRAM are present.
01.17	September 25, 2002	<ul style="list-style-type: none"> Remove instructions that are not implementation specific. Refer to ISA documentation instead. Fixed 4Kp mul/div pipeline picture (Figure 2-3 on page 12)

